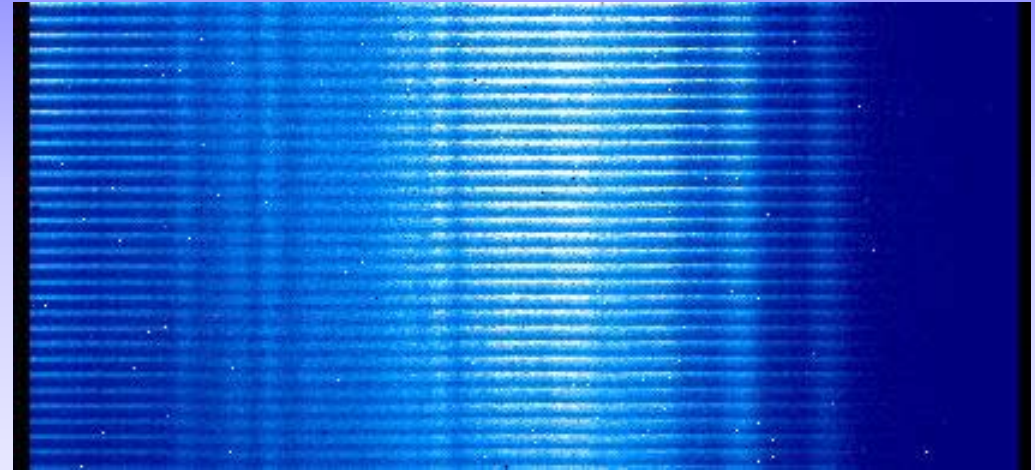


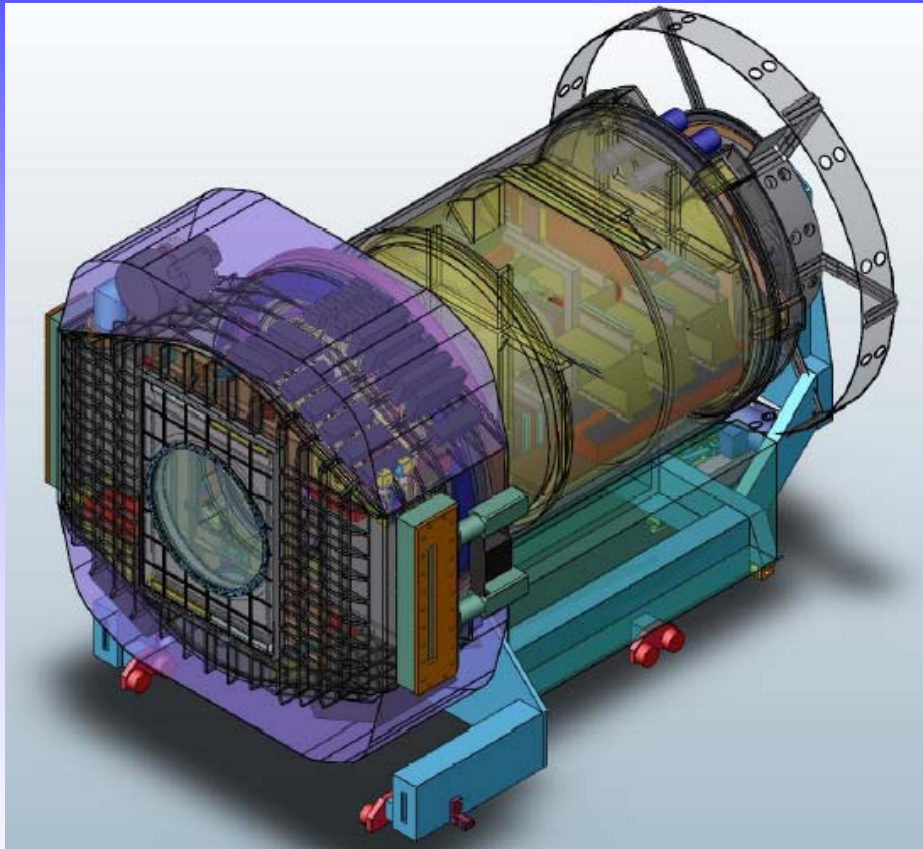
TSIP and Keck



OSIRIS: OH-Suppressing Infra-Red Imaging Spectrograph
UCLA Infrared Imaging Detector Laboratory
James Larkin, PI



TSIP and Keck

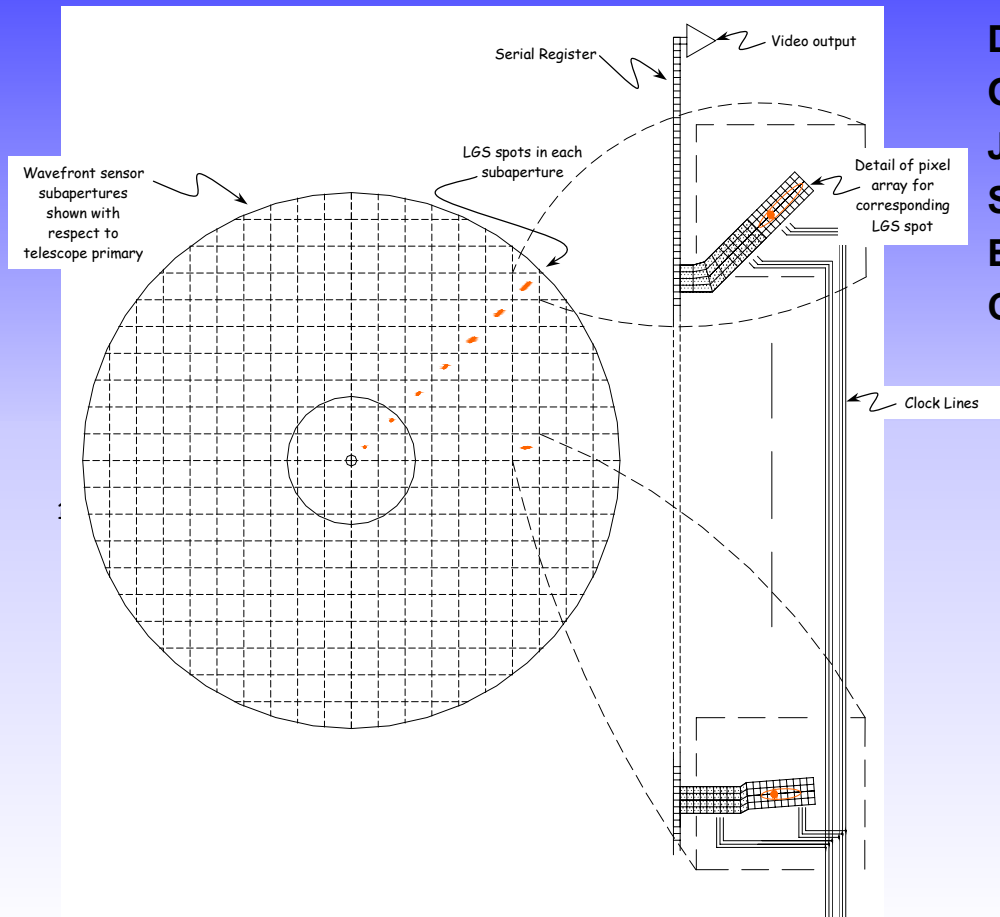


**KIRMOS: wide field near-IR
Spectrograph and imager
Caltech Optical Observatories
Optical Infra-Red Engineering Group
Keith Taylor, PI**

**New development cycle starting for
a near-IR MOS with a more modest FOV**

**RFP will be issued in June, intent is for
first light in 2009**

AODP and Keck



**Development of the Next Generation
Optical Detectors for Wavefront Sensing**

James W. Beletic, PI

**Sean Adkins, Francois Rigaut, Jerry Nelson,
Barry Burke, Ray DuVarney, Charlie Bleau,
Co-Investigators**

