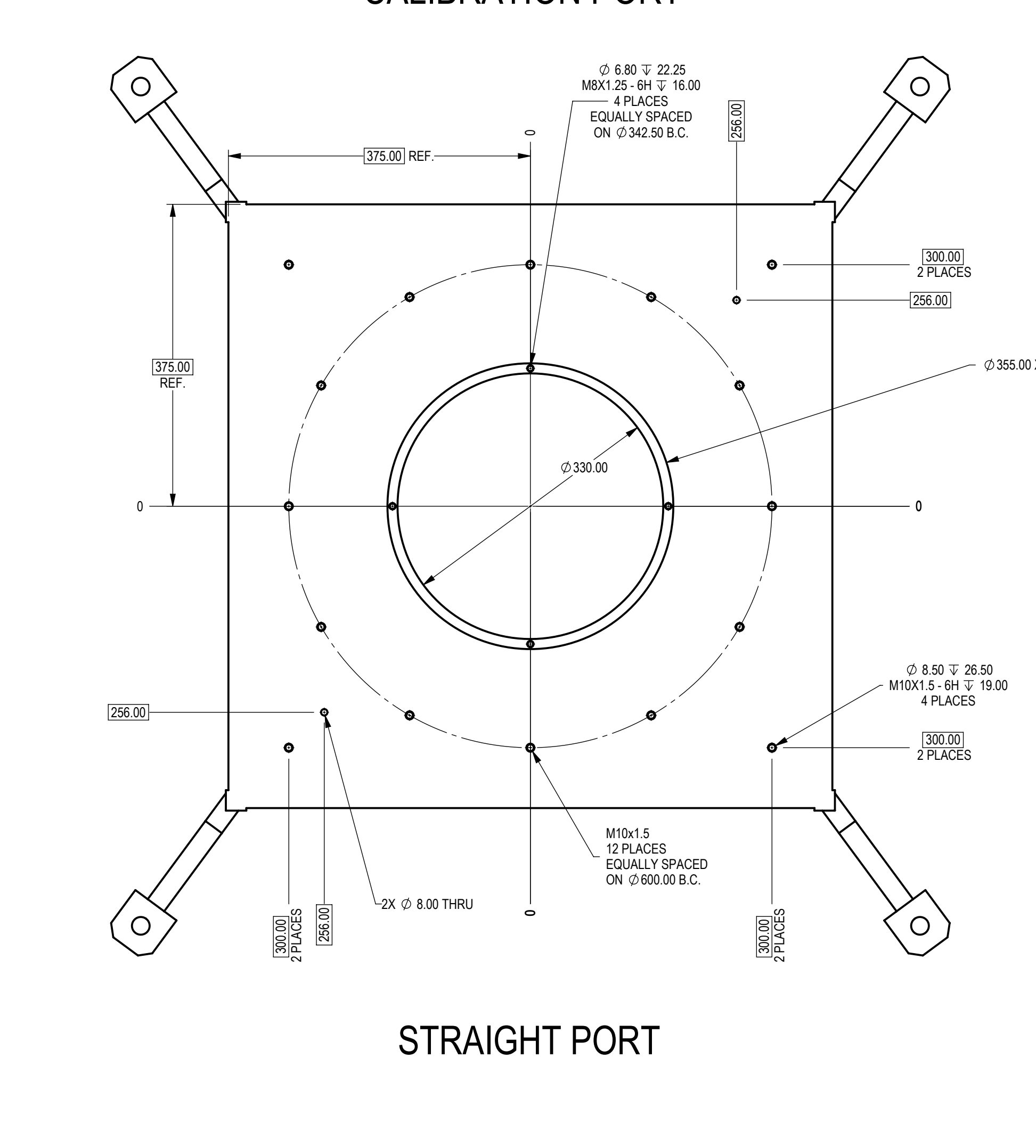
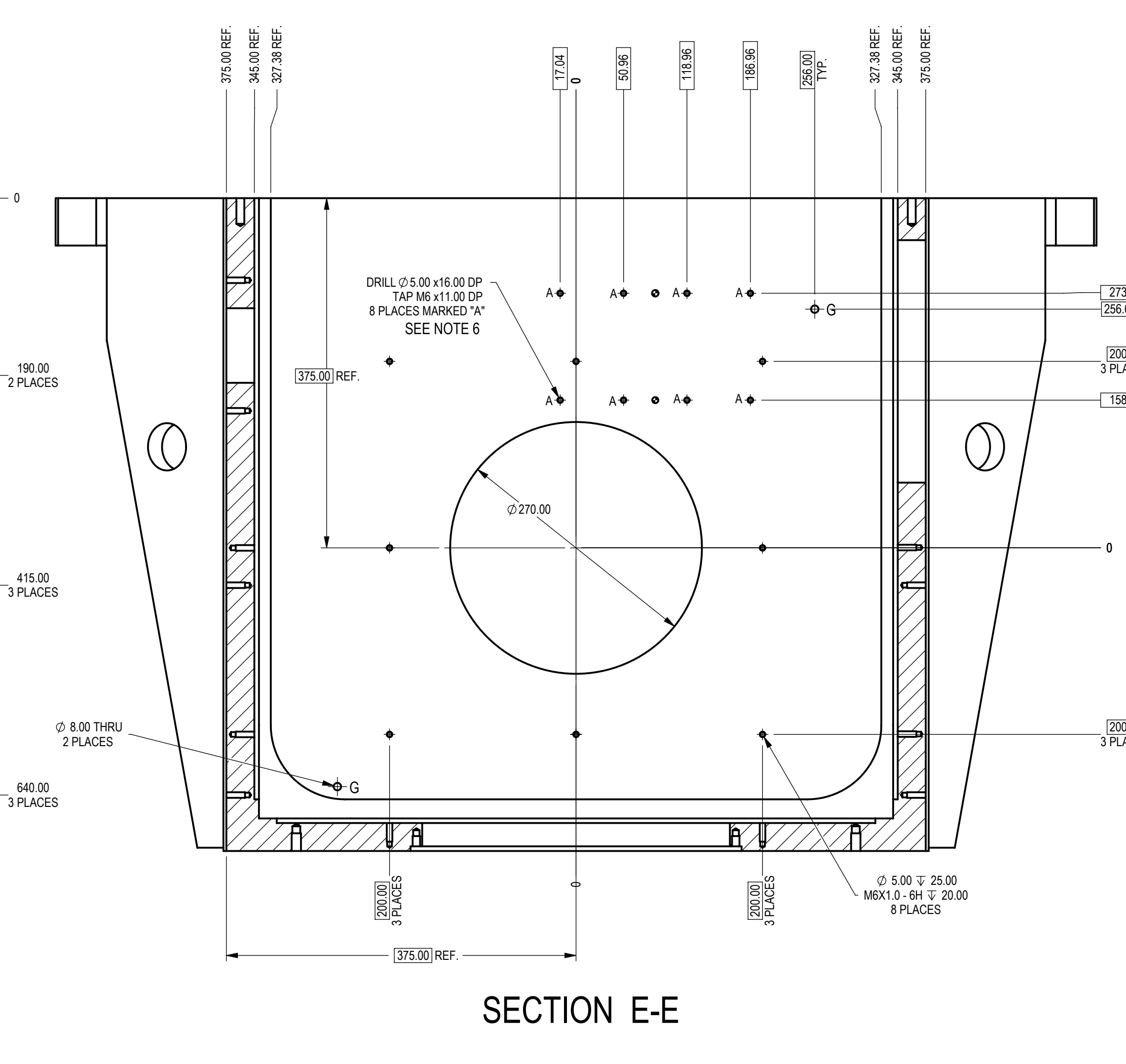
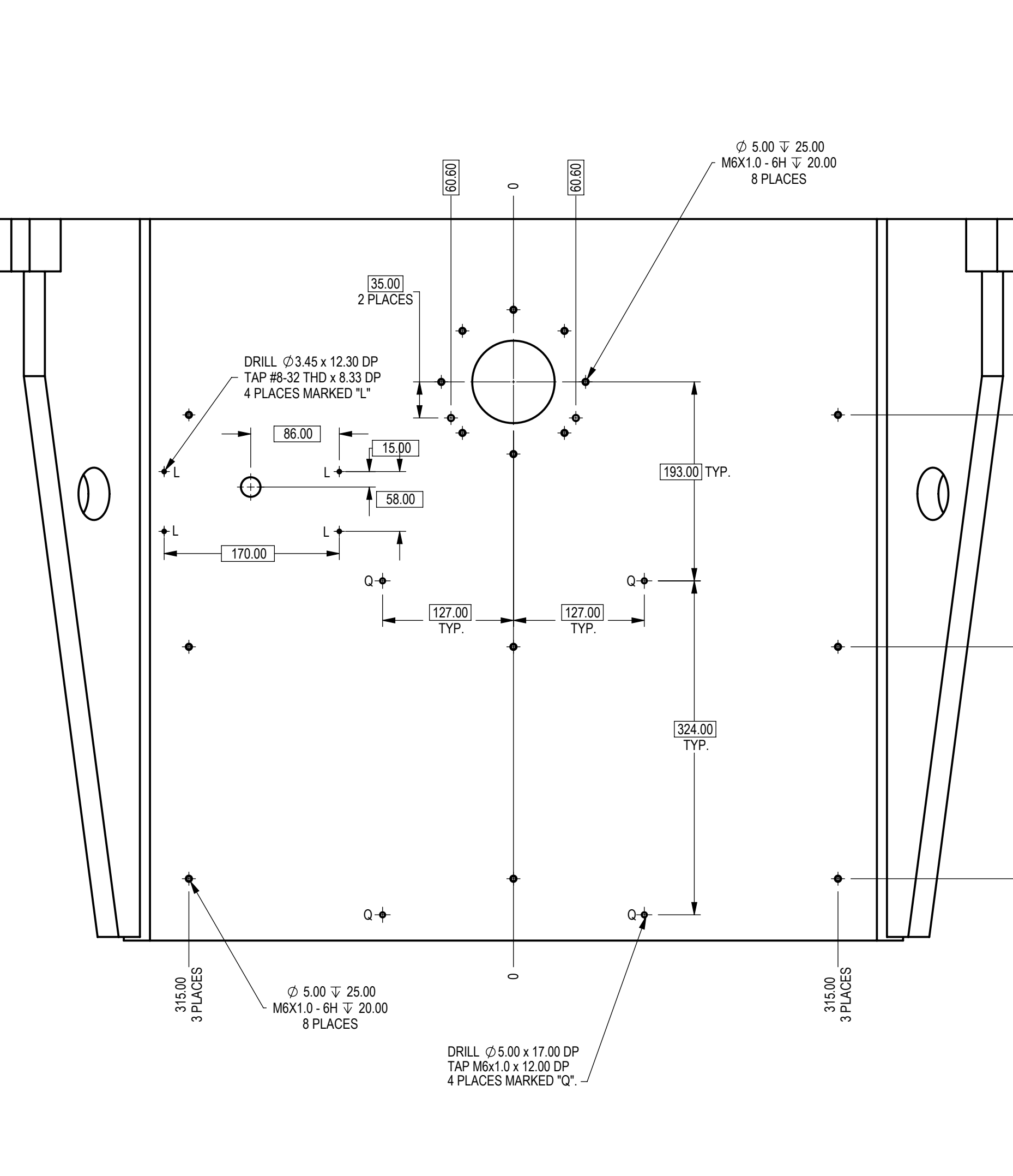
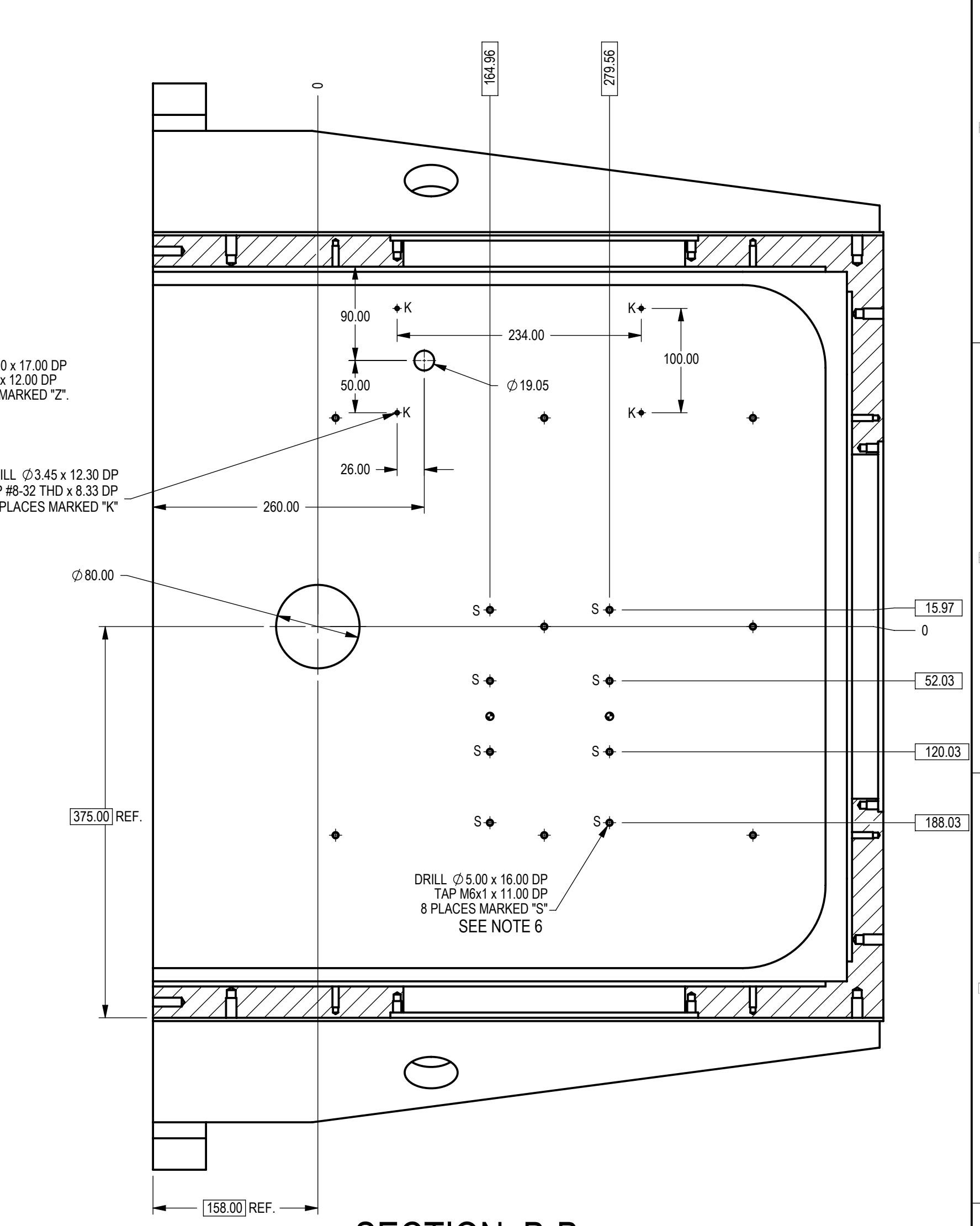
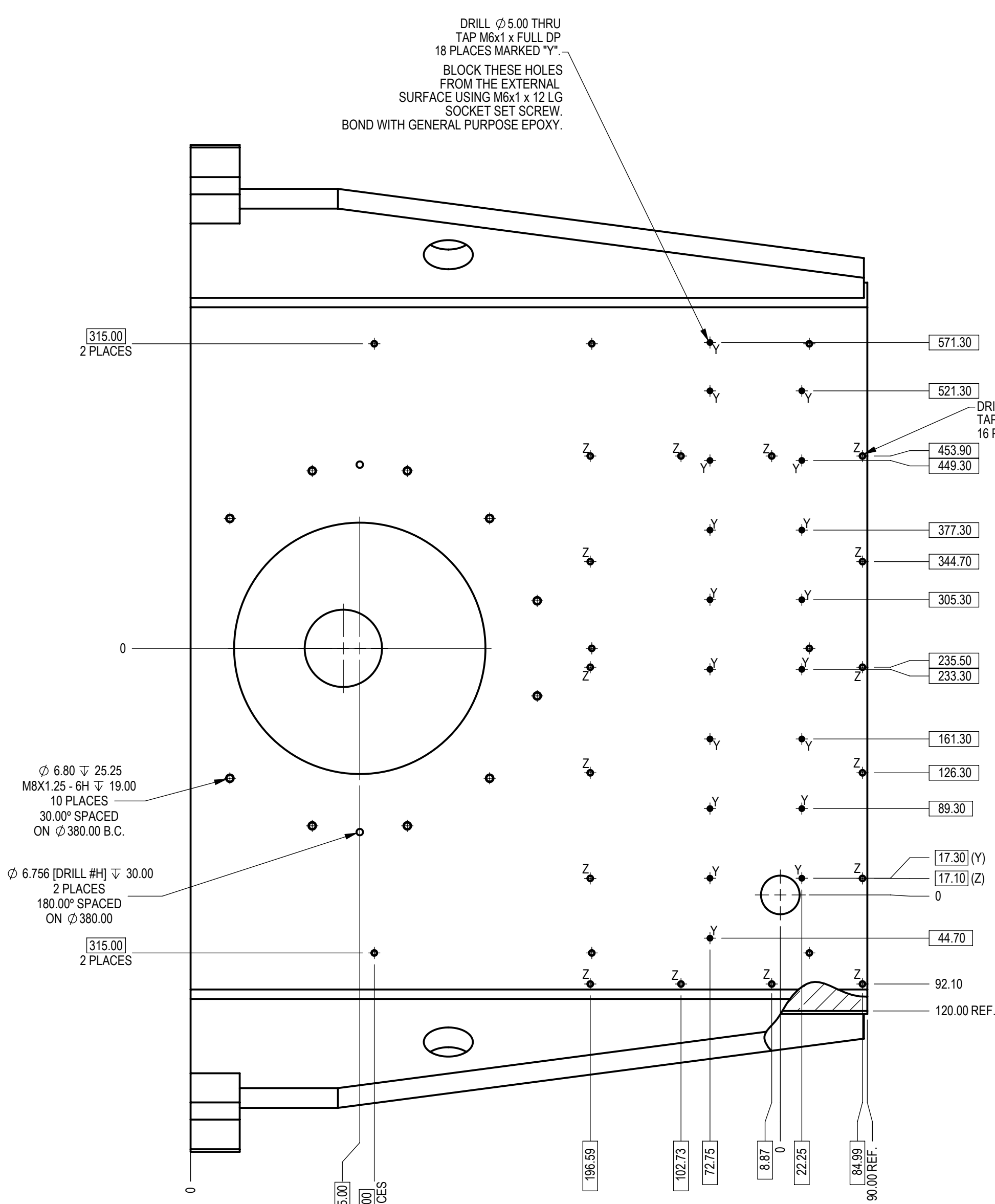
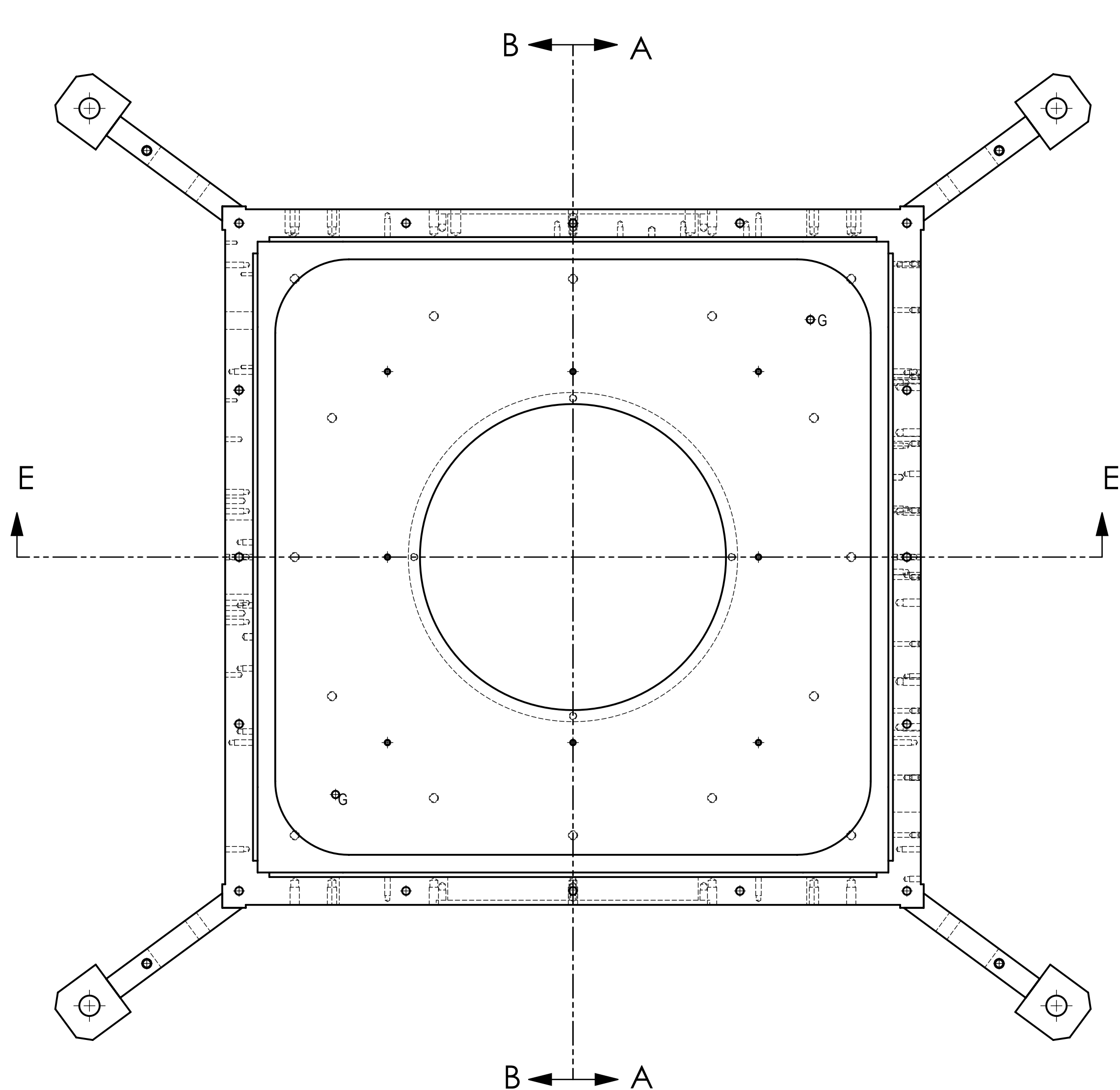
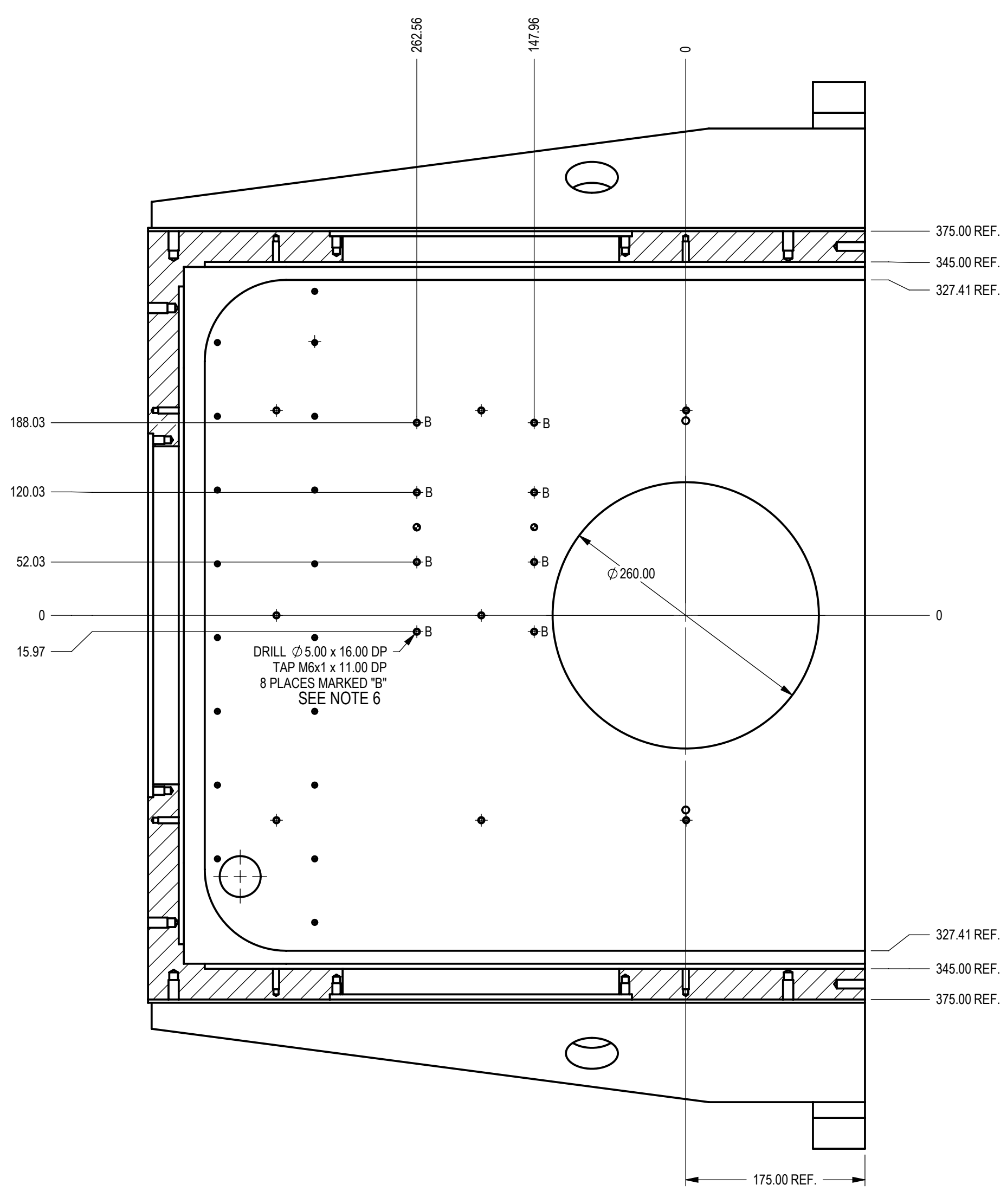
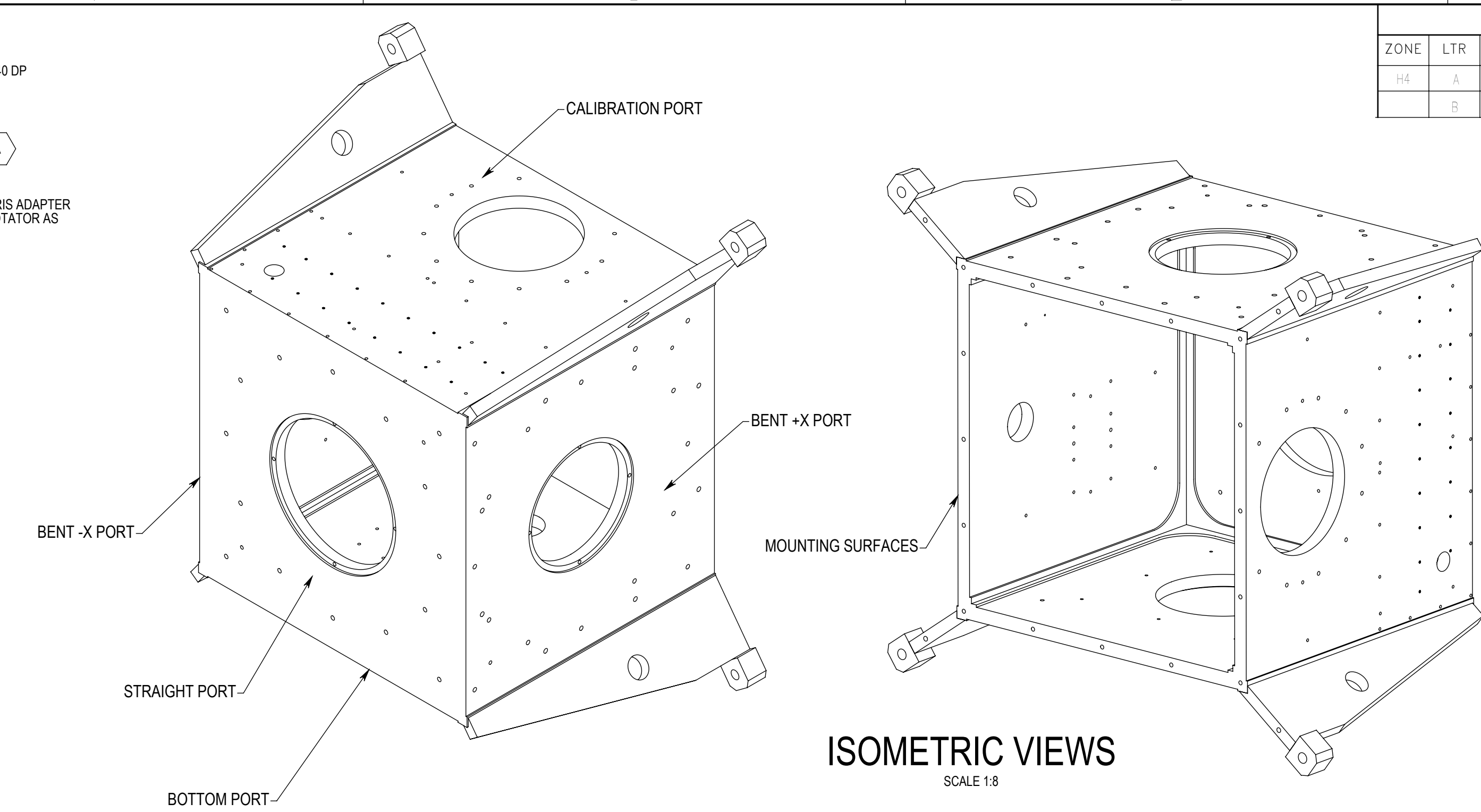
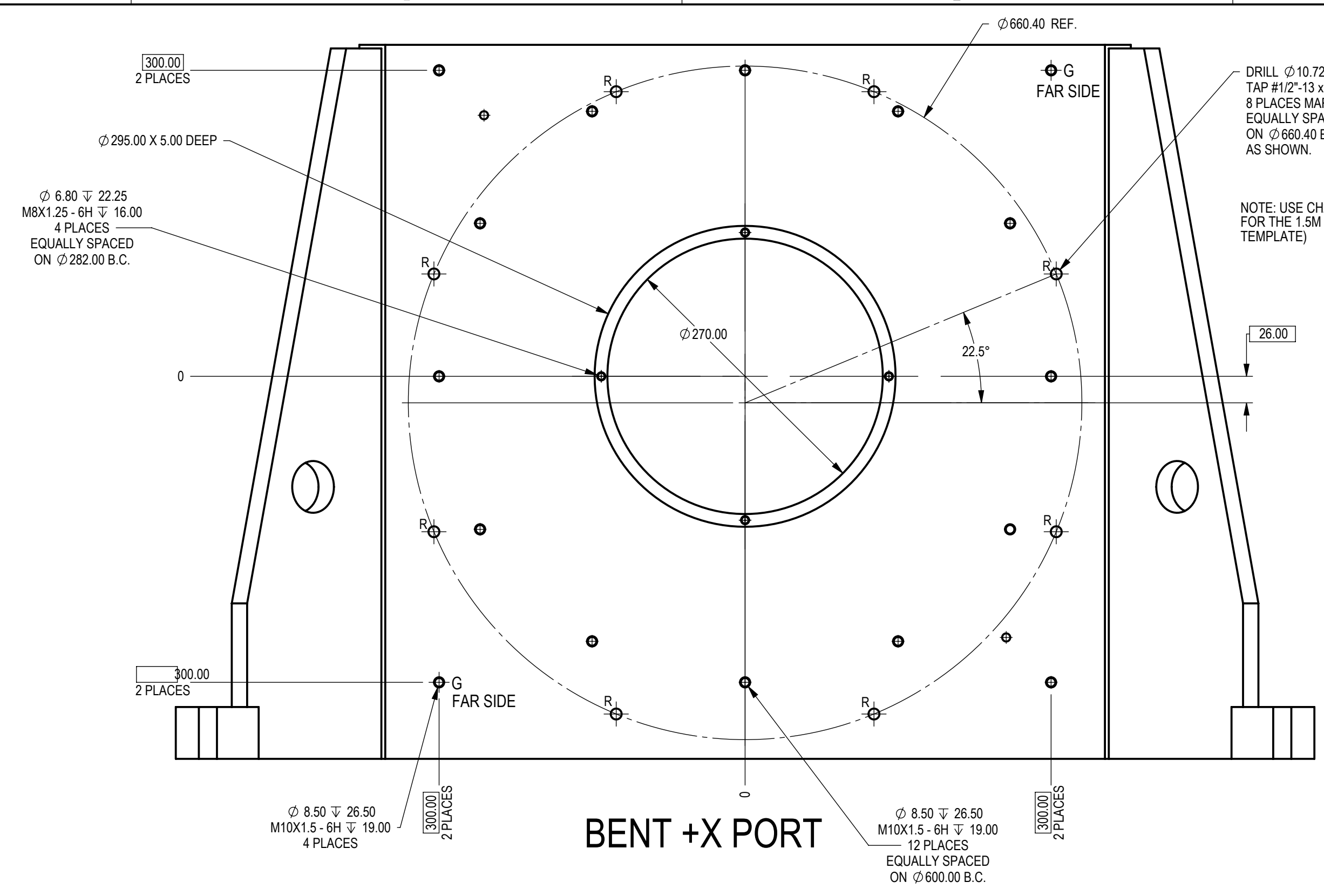


- NOTES: UNLESS OTHERWISE NOTED:
1. REMOVE ALL BURRS AND SHARP EDGES
 2. MACHINED SURFACE ROUGHNESS: 125/√
 3. FINISH : INTERNAL SURFACES PAINTED WITH FLAT BLACK.
 4. QTY : 1
 5. MTL: REF17553 ISG INSTRUMENT BOX-STAINLESS STEEL TYPE 304
 6. DIMENSIONS ON SECTIONS A-A, B-B AND E-E ARE SHOWN FOR REFERENCE ONLY (USE TEMPLATES ON CH2925-E029).
 7. SEAL 6 POSITIONS MARKED "G" FROM THE INSIDE 6 mm DEEP. USE RTV SILICONE RUBBER COMPOUND AFTER FINISH.

REVISION					
ZONE	LTR	DESCRIPTION	DATE	BY	APVD
H4	A	8 HOLES #1/2"-11 ADDED ON RENCH -#8 PORT (OSRS)	Feb 2002	GD	FS
B	B	ADD FINISH	July 2002	GD	FS



TOLERANCES UNLESS OTHERWISE NOTED		NATIONAL OPTICAL ASTRONOMY OBSERVATORIES	
DECIMALS	ANGULAR	CERRO TOLOLO INTER-AMERICAN OBSERVATORY	
.X = .25	° = 0'-30"	OPERATED BY THE ASSOCIATION OF UNIVERSITIES FOR RESEARCH IN ASTRONOMY	
.XX = .08		LABOR COOPERATIVE AGREEMENT WITH:	
		NATIONAL SCIENCE FOUNDATION	
NEXT ASSEMBLY	NAME	REF #	USED ON
CH2925-E029	IR-ISB MOUNTING HOLES	REF # CH2925-E020 - ISB.SLD009	ISBs for SOAR
METRIC	DESIGNED BY	DATE	APPROVED BY
1:4 & NOTED	Fernando Barroso	May 2002	DATE
DATE	Juan Castardo	Jun 2002	DATE
CREATED BY	DATE	APPROVED BY	DATE
CH2925-E020			REV B
SHEET			OF