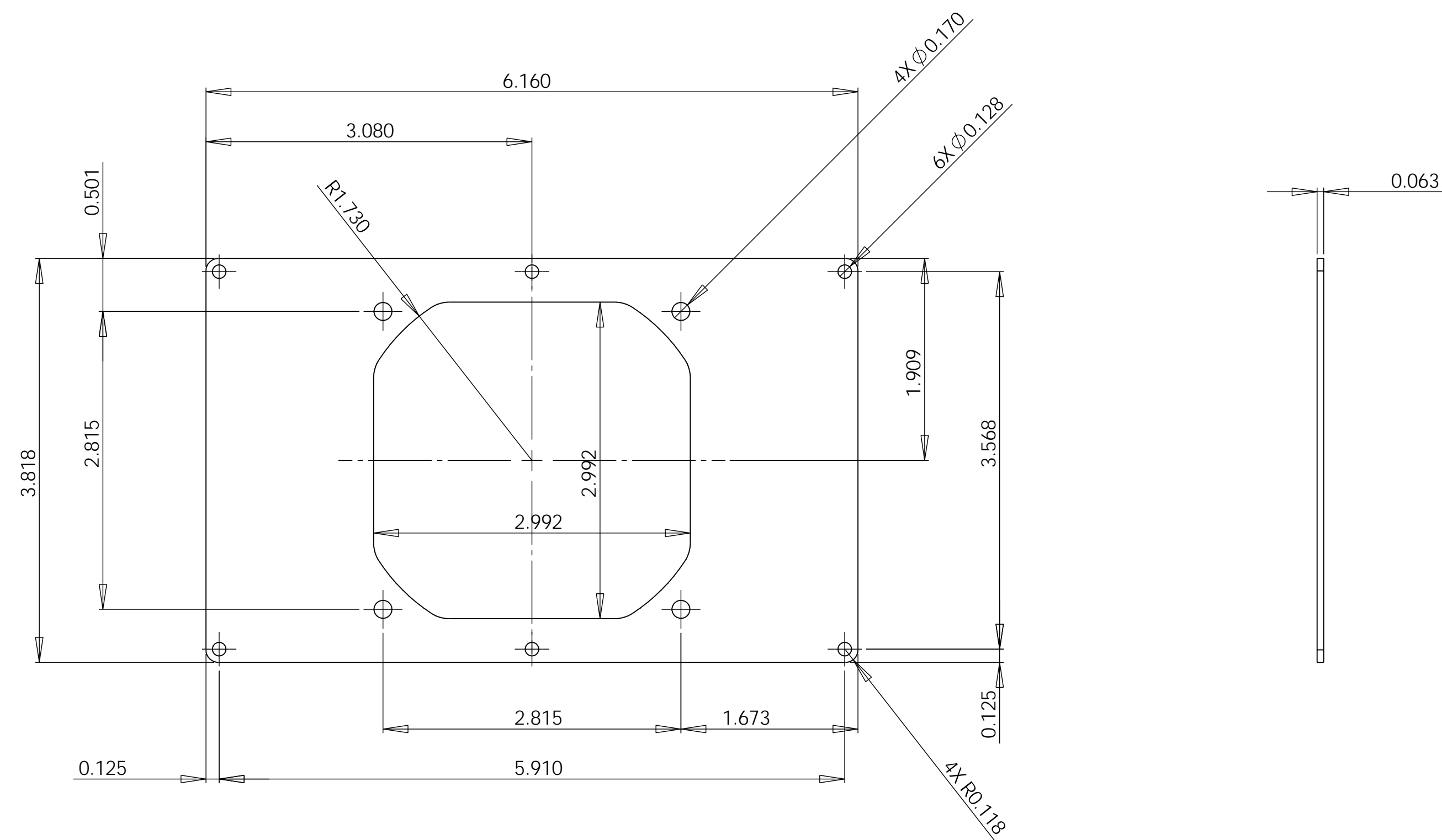


NOTES:

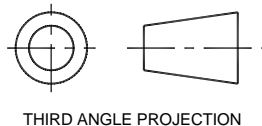
1. DIMENSIONS IN INCHES.
2. BREAK EDGES .02 MAX.
3. ELECTROLESS NICKEL PLATE PER ASTM B733-04 TYPE V (10% MIN PHOSPHORUS), SC1 (.0002" THK), CLASS 4.



E
D
C
B
A

17 16 15 14 13 12 11

1	0.09
ITEM	WEIGHT (Lbs)
CALCULATED WEIGHT	

MATERIAL :		 THIRD ANGLE PROJECTION		NATIONAL SOLAR OBSERVATORY <small>OPERATED BY THE</small> ASSOCIATION OF UNIVERSITIES FOR RESEARCH IN ASTRONOMY <small>UNDER COOPERATIVE AGREEMENT WITH</small> NATIONAL SCIENCE FOUNDATION	
TOLERANCES UNLESS OTHERWISE NOTED .XX ± .01 .XXX ± .005		ANGULAR ± .1°		DO NOT SCALE DRAWING	
NEXT ASSEMBLY TRNT-EL-02-0007		NAME BLOWER HOUSING COVER		USED ON TORRENT	
SCALE: 1:1 DWG PRODUCED USING SOLIDWORKS 2011		DESIGNED BY: HILEMAN		CHECKED BY: EAH	
DRAWN BY: HILEMAN		APPROVED BY:		DRAWING NUMBER TRNT-EL-02-1038	
RELEASE DATE 09/01/2011		SHEET: 1 OF 1			