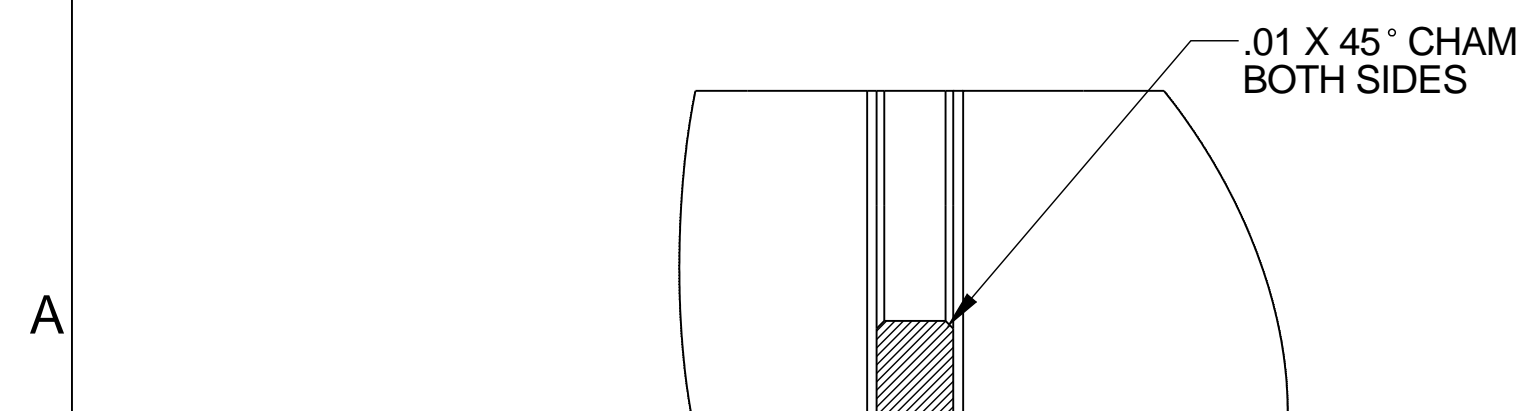
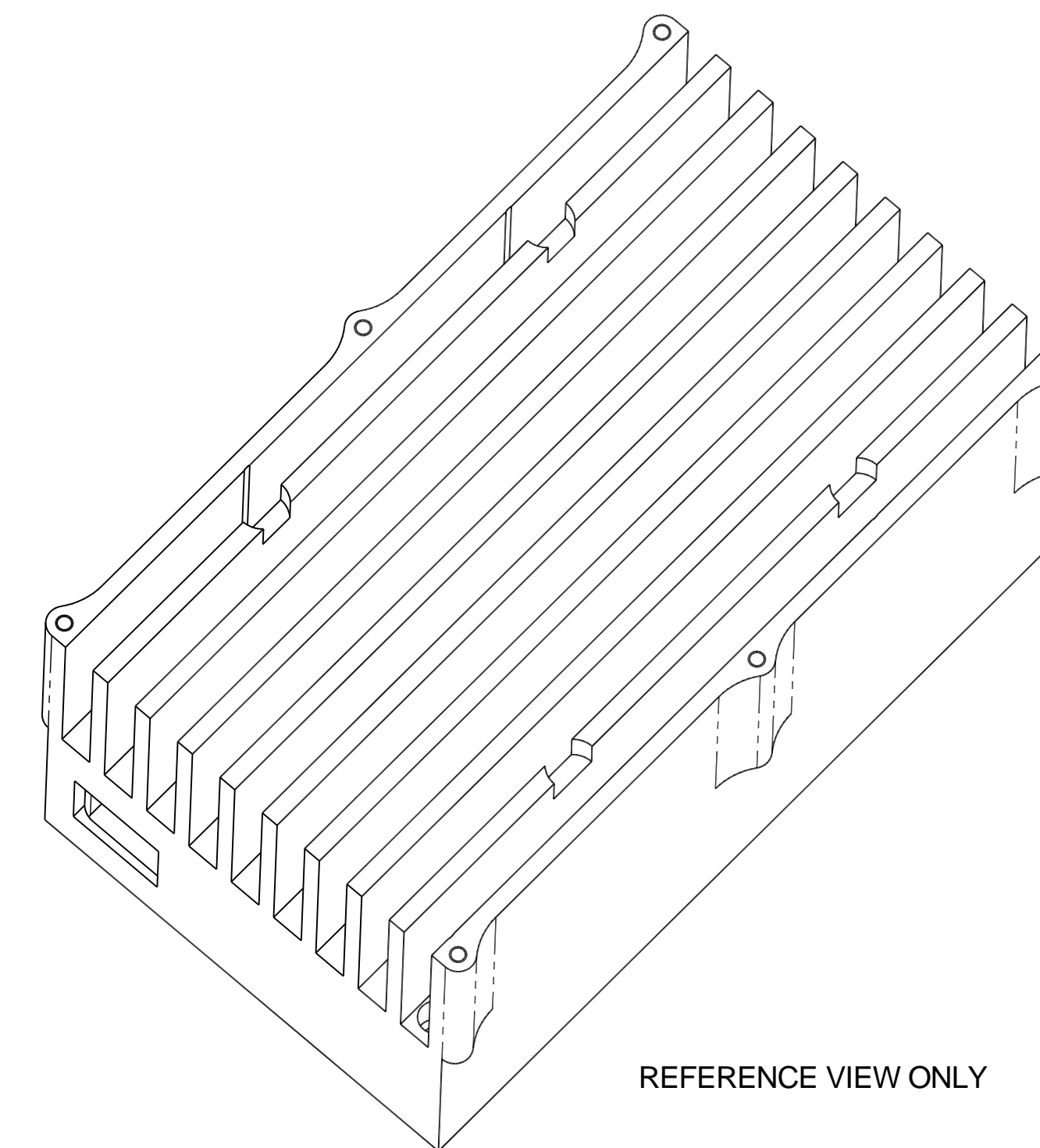
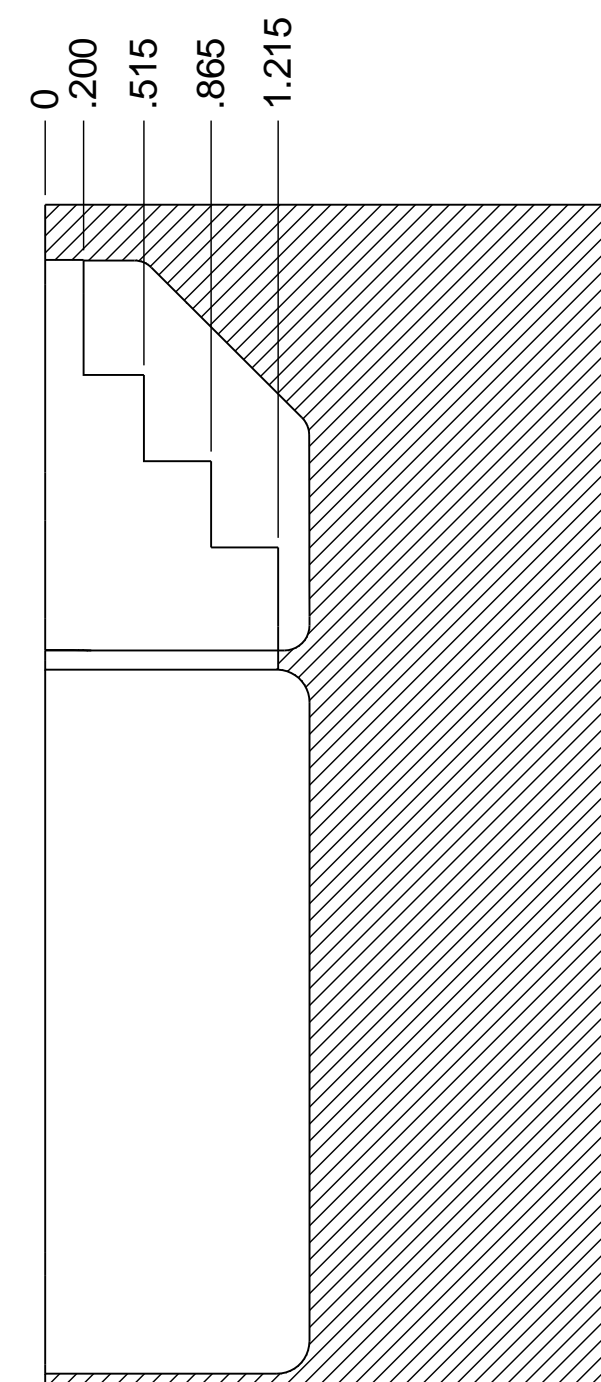
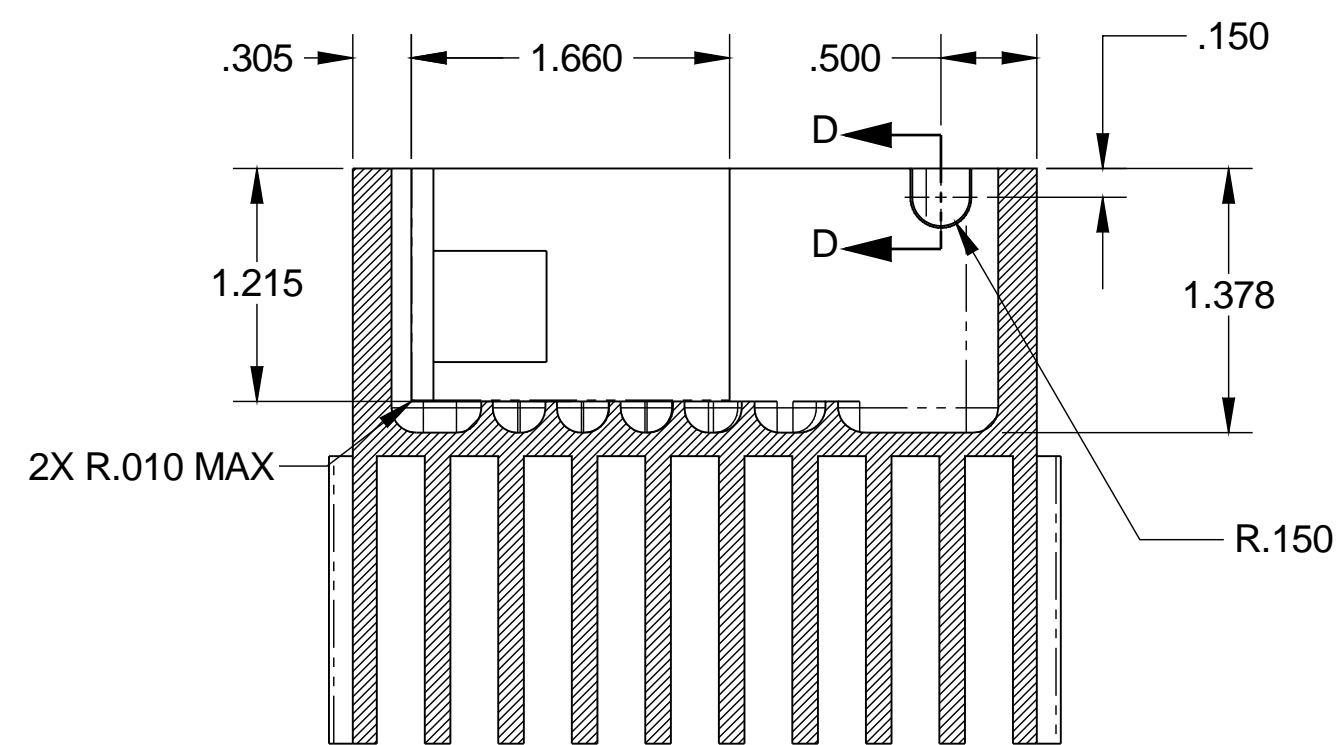
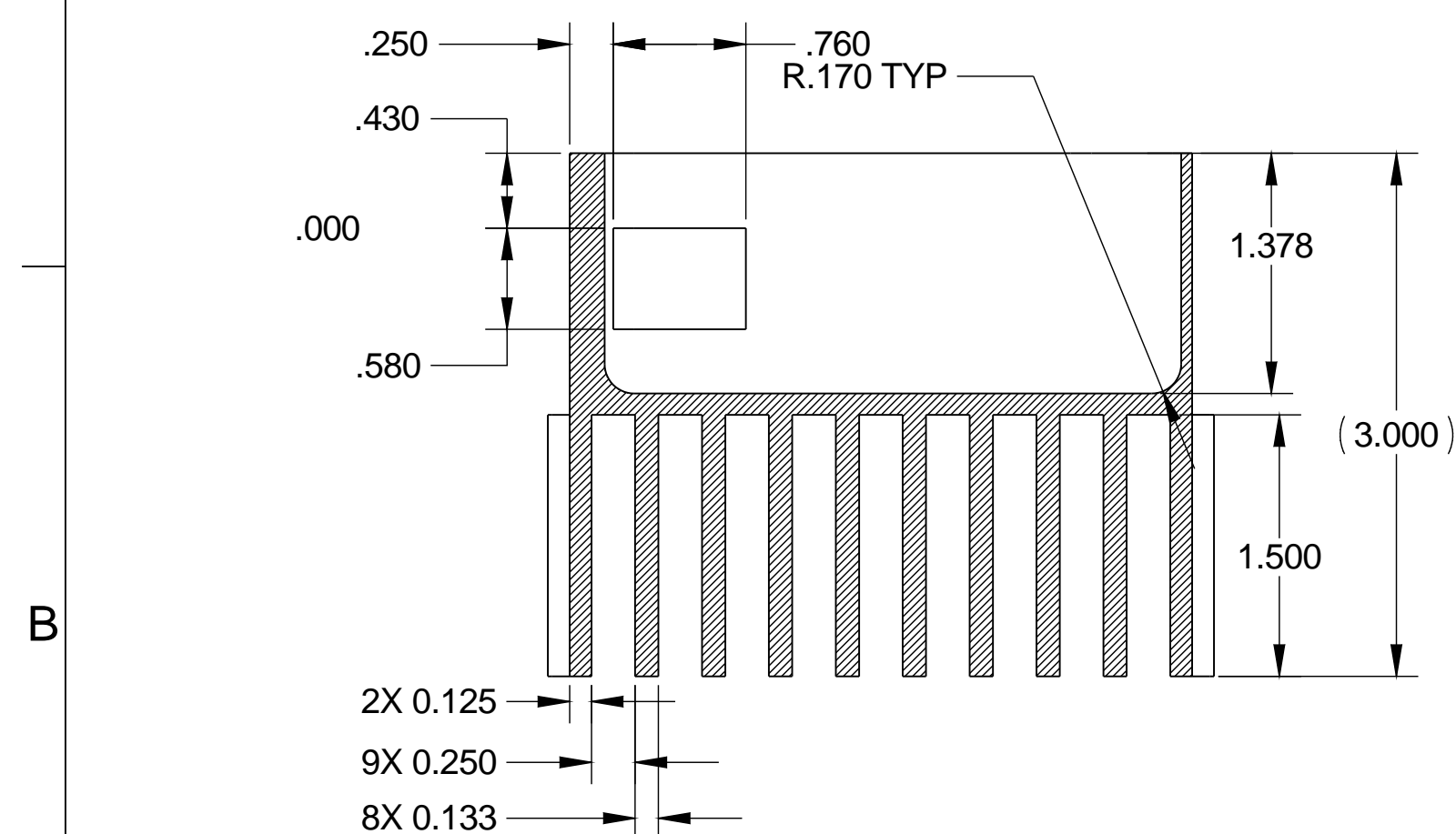
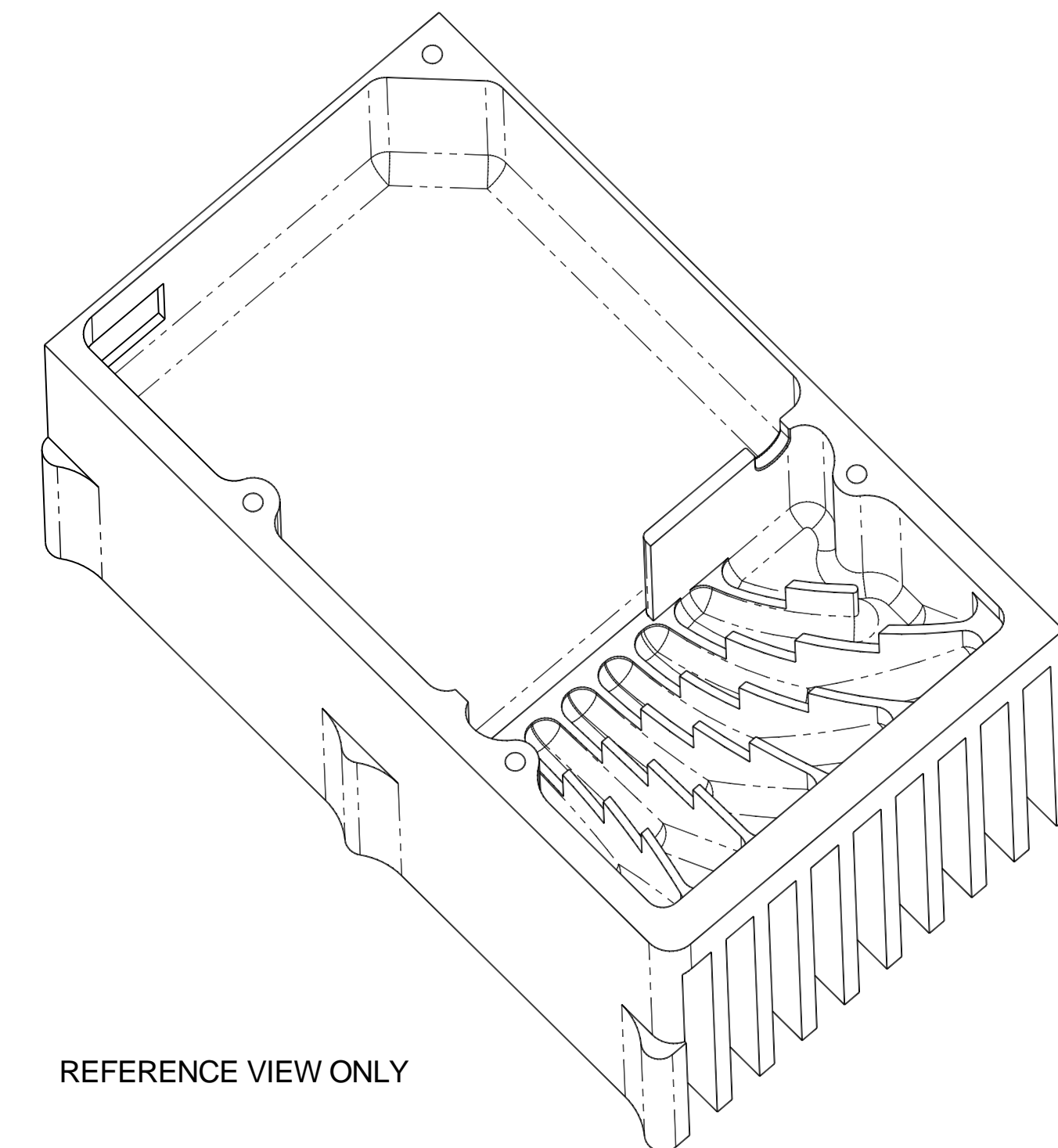
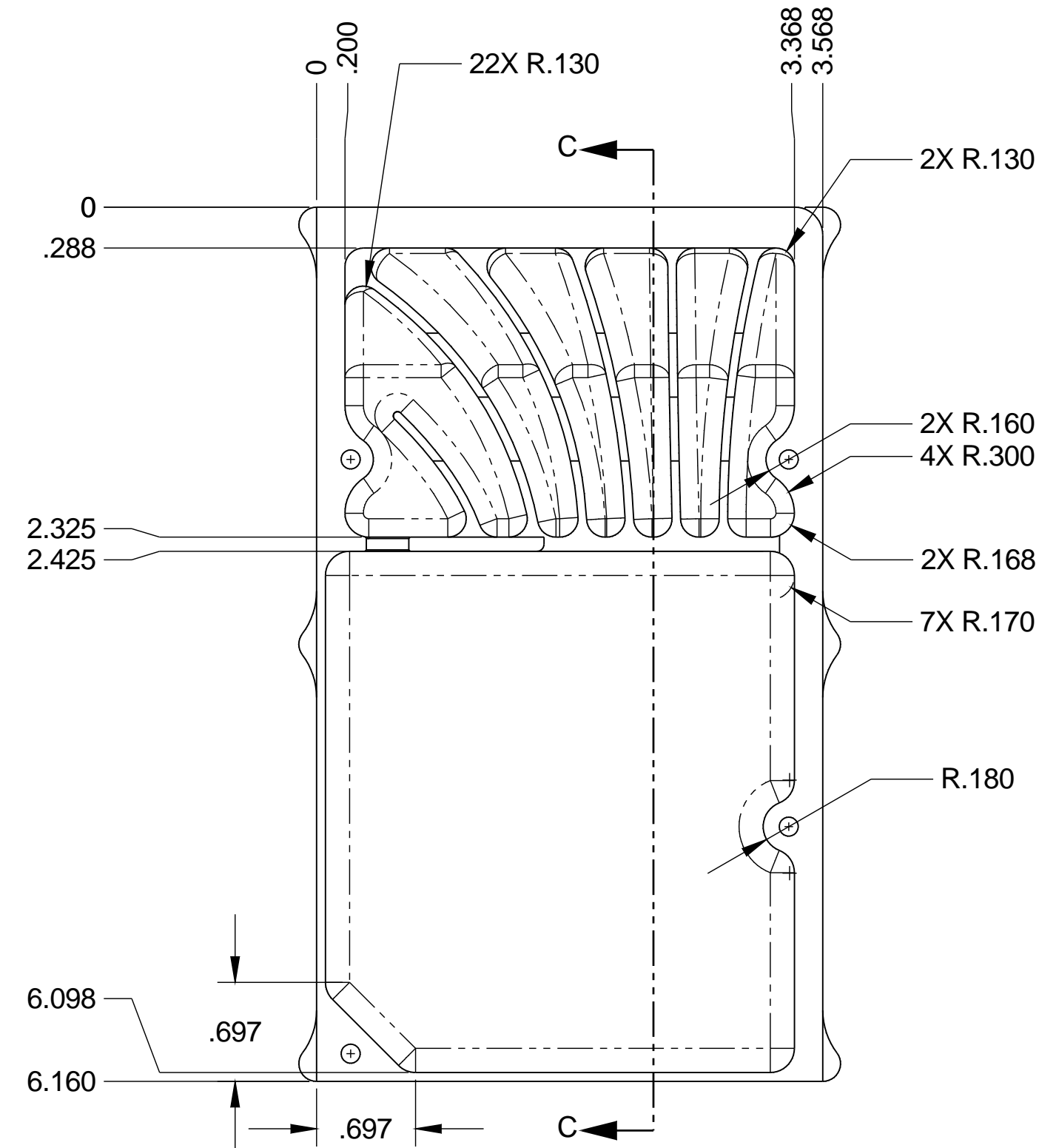
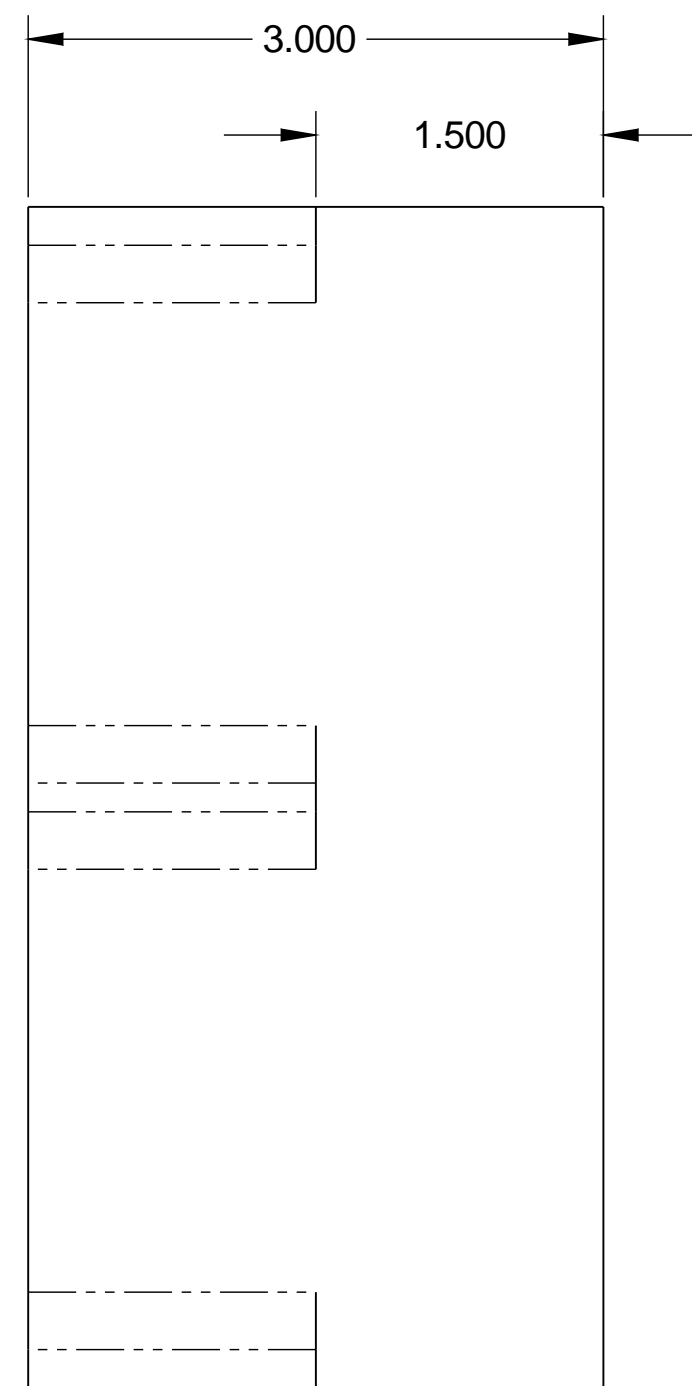
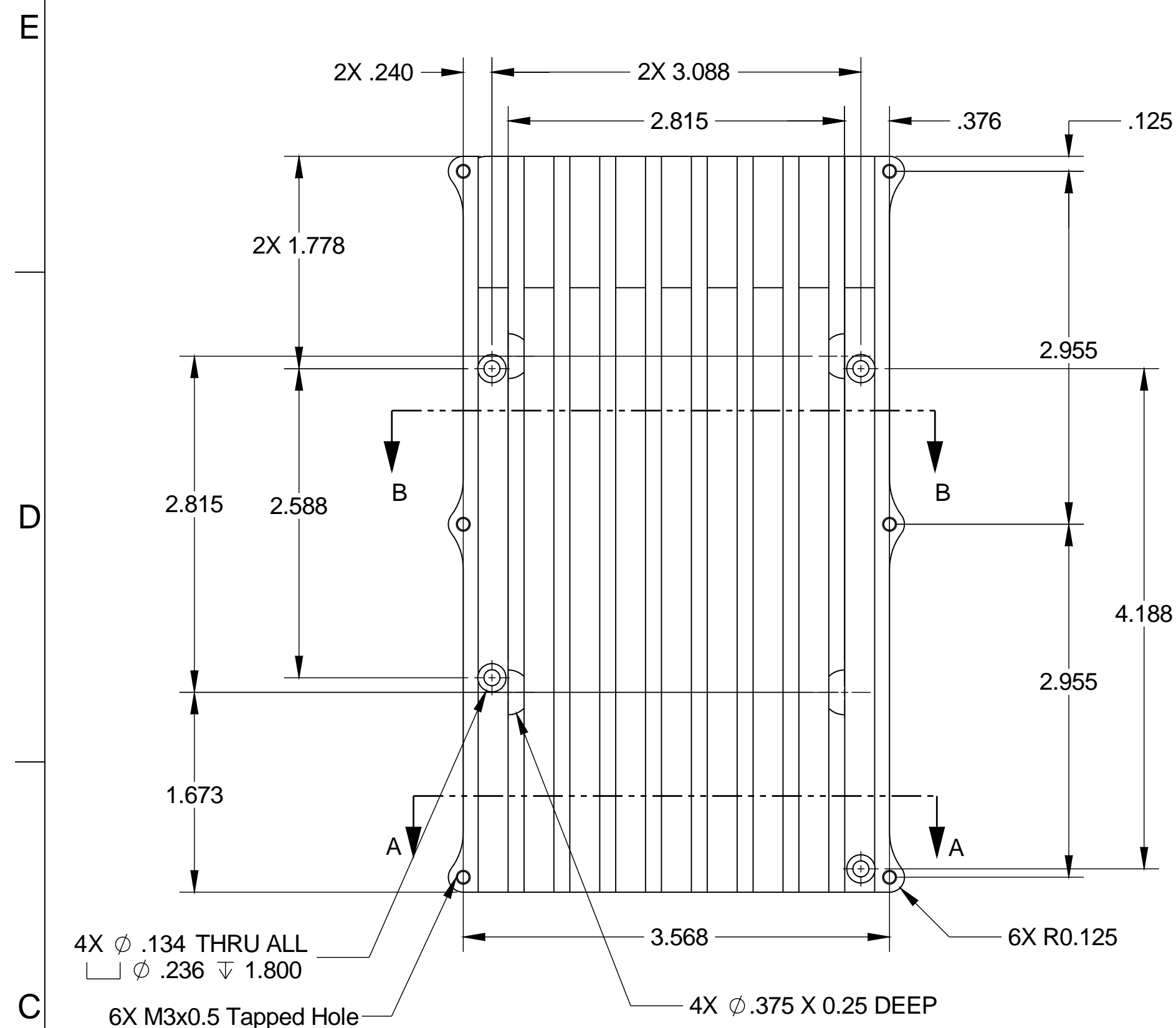


NOTES:

1. DIMENSIONS IN INCHES.
2. BREAK EDGES .02 MAX.
3. ELECTROLESS NICKEL PLATE PER ASTM B733-04 TYPE V (10% MIN PHOSPHORUS), SC1 (.0002" THK), CLASS 4.



SECTION D-D
SCALE 4 : 1

REVISIONS				
ZONE	REV.	DESCRIPTION	DATE	APPROVED
	A	CHG DWG NO FROM TRNT-EL-02-1035 TO TRNT-EL-02-1037; CHG CORD POCKET RADIUS FROM .13 TO .15 AND DEPTH FROM .125 TO .15	1/17/2012	

1	1.85
ITEM	WEIGHT (Lbs)
CALCULATED WEIGHT	

MATERIAL : ALUMINUM ALLOY 6061-T6		OPERATED BY THE NATIONAL SOLAR OBSERVATORY	
TOLERANCES UNLESS OTHERWISE NOTED XX ± .01 XXX ± .005		ANGULAR ± .1°	THIRD ANGLE PROJECTION
DO NOT SCALE DRAWING		NAME	USED ON
NEXT ASSEMBLY TRNT-EL-02-0008		FINNED BLOWER HOUSING	TORRENT
SCALE: 1:1		DESIGNED BY: HILEMAN / DeVRIES	CHECKED BY: EAH
DWG PRODUCED USING SOLIDWORKS 2011		DRAWN BY: HILEMAN / DeVRIES	APPROVED BY:
DRAWING NUMBER TRNT-EL-02-1037		RELEASE DATE: 09/01/2011 SHEET: 1 OF 1	