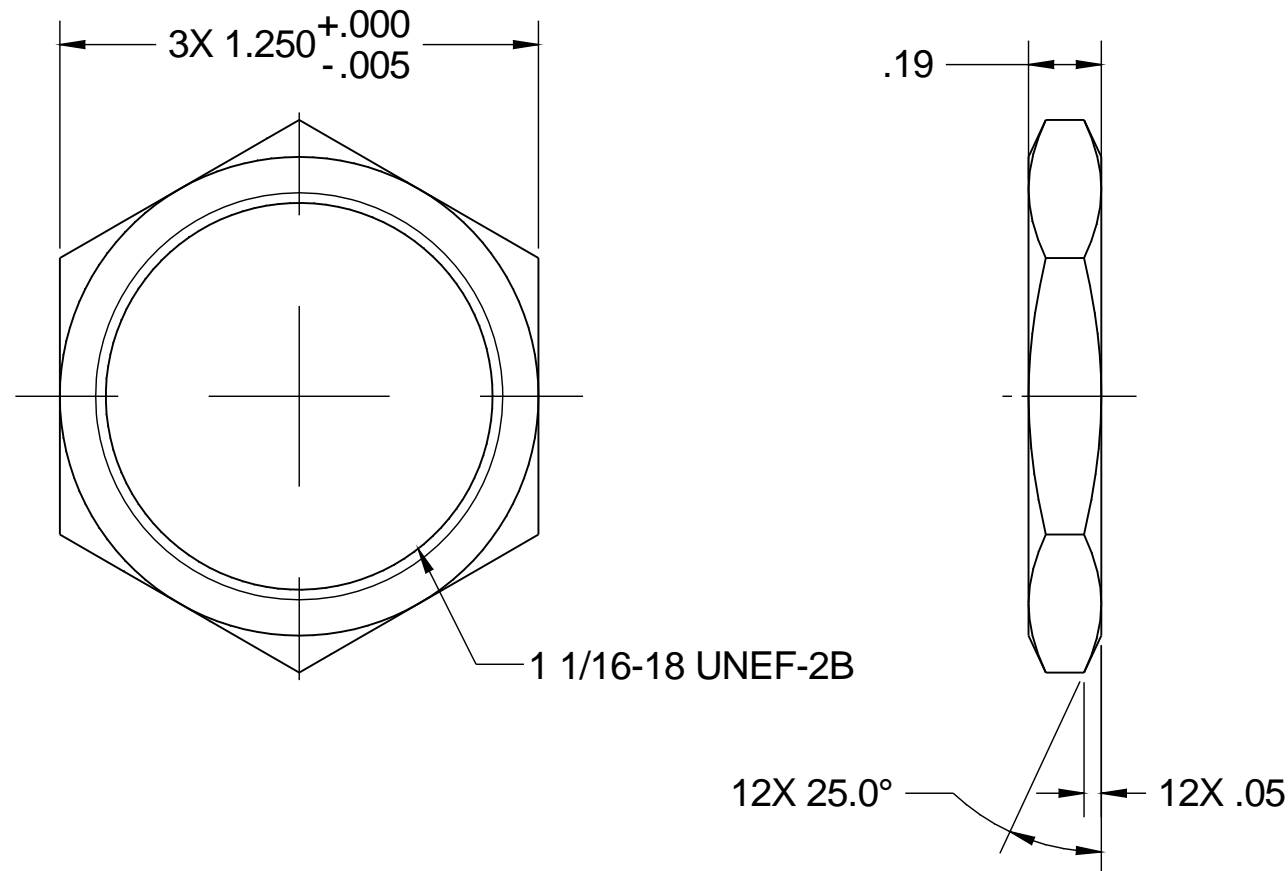


NOTES:

- BREAK EDGES .02 MAX.
- ANODIZE, BLACK.



ZONE	REV	DESCRIPTION	BY	DATE	APV BY
	B	ADD N/A OF TRNT-EL-02-0025; CHG FINISH TO BLACK ANODIZE	MDK	1/20/2012	
	A	MATERIAL WAS 303 STAINLESS STEEL, ADDED NOTE 2	JD	1/6/2011	
	-	INITIAL RELEASE	JD	10/21/2010	
REVISIONS					

-1	
ITEM	WEIGHT (Lbs)

MATERIAL : ALUMINUM ALLOY 6061-T6		CALCULATED WEIGHT	
<p>TOLERANCES UNLESS OTHERWISE NOTED</p> <p>.XX ±.01 ANGULAR ±.1°</p> <p>.XXX ±.005</p>		<p>THIRD ANGLE PROJECTION</p>	
<p>DO NOT SCALE DRAWING</p> <p>NEXT ASSEMBLY</p> <p>TRNT-EL-02-0025</p>		<p>NATIONAL OPTICAL ASTRONOMY OBSERVATORIES OPERATED BY THE ASSOCIATION OF UNIVERSITIES FOR RESEARCH IN ASTRONOMY UNDER COOPERATIVE AGREEMENT WITH NATIONAL SCIENCE FOUNDATION</p>	
<p>SCALE: 2:1</p> <p>DWG PRODUCED USING SOLIDWORKS 2010</p>		<p>NAME</p> <p>HEX JAM NUT, 1.063-18</p>	
<p>DESIGNED BY:</p> <p>J. DeVRIES</p> <p>DRAWN BY:</p> <p>XXX</p>		<p>USED ON</p> <p>TORRENT</p> <p>DWG SIZE</p> <p>B</p> <p>REV</p> <p>B</p>	
<p>CHECKED BY:</p> <p>XXX</p> <p>APPROVED BY:</p> <p>XXX</p>		<p>DRAWING NUMBER</p> <p>TRNT-EL-02-1035</p> <p>RELEASE DATE: XX/XX/XX</p>	
		<p>SHEET: 1 OF 1</p>	