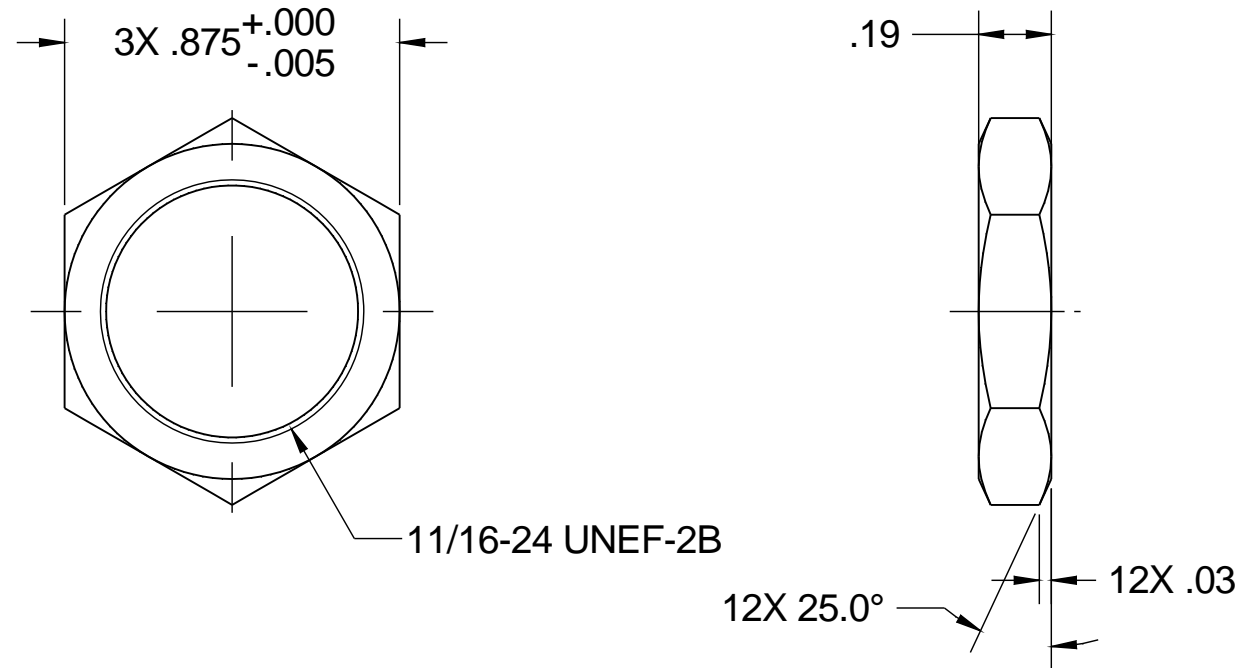


NOTES:

- BREAK EDGES .02 MAX.
- ANODIZE, BLACK

ZONE	REV	DESCRIPTION	BY	DATE	APV BY
	B	ADD N/A OF TRNT-EL-02-0025; CHG FINISH TO BLACK ANODIZE	MDK	1/20/2012	
	A	MATERIAL WAS 303 STAINLESS STEEL, ADDED NOTE 2	JD	1/6/2011	
	-	INITIAL RELEASE	JD	10/21/2010	
REVISIONS					



-1	
ITEM	WEIGHT (Lbs)

MATERIAL : ALUMINUM ALLOY 6061-T6		CALCULATED WEIGHT	
TOLERANCES UNLESS OTHERWISE NOTED .XX ±.01 ANGULAR ±.1° .XXX ±.005		NATIONAL OPTICAL ASTRONOMY OBSERVATORIES OPERATED BY THE ASSOCIATION OF UNIVERSITIES FOR RESEARCH IN ASTRONOMY UNDER COOPERATIVE AGREEMENT WITH NATIONAL SCIENCE FOUNDATION	
DO NOT SCALE DRAWING	NAME	USED ON	
NEXT ASSEMBLY	HEX JAM NUT, .688-24	TORRENT	
TRNT-EL-02-0025			
		B	B
SCALE: 2:1	DESIGNED BY: J. DeVRIES	CHECKED BY: XXX	DRAWING NUMBER TRNT-EL-02-1034
DWG PRODUCED USING SOLIDWORKS 2010	DRAWN BY: XXX	APPROVED BY: XXX	RELEASE DATE: XX/XX/XX SHEET: 1 OF 1