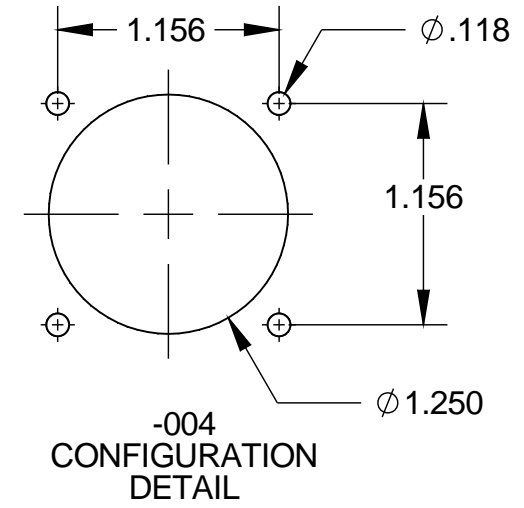
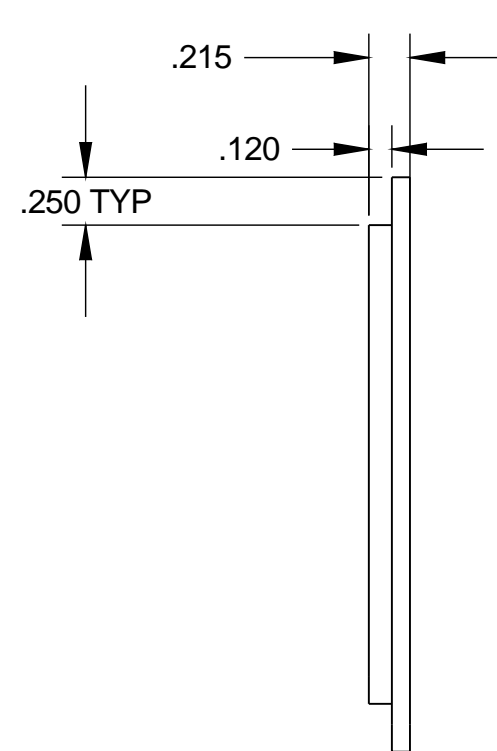
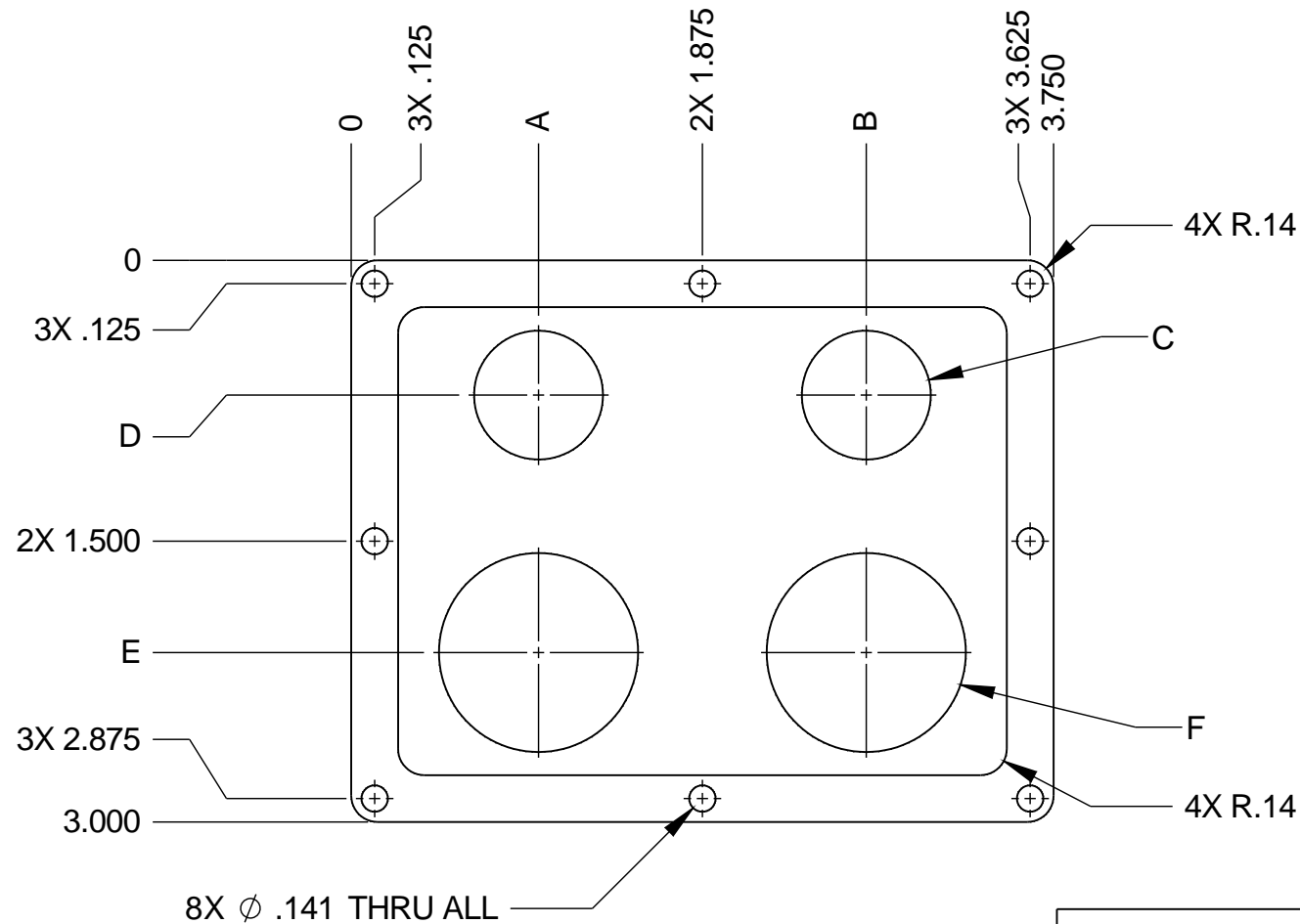


NOTES:

1. DIMENSIONS IN INCHES.
2. BREAK EDGES .02 MAX.

| | | | | | |
|------|-----|---|-----|-----------|--------|
| | B | CHNG 4xR.13 TO 4xR.14, 2 PLCS; ADD -003 & -004 CONFIG.; ADD -004 CONFIG. DETAIL | MDK | 9/19/2011 | |
| | A | ADDED TABLE 1 | JD | 1/18/2011 | |
| | - | INITIAL RELEASE | JD | 7/12/2010 | |
| ZONE | REV | DESCRIPTION | BY | DATE | APV BY |



| | |
|-------------------|--------------|
| -1 | |
| ITEM | WEIGHT (Lbs) |
| CALCULATED WEIGHT | |

TABLE 1

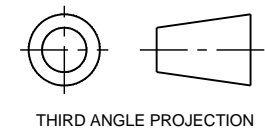
| DASH NO. | DIM "A" | DIM "B" | DIM "C" | DIM "D" | DIM "E" | DIM "F" |
|----------|----------|----------|------------------|---------|----------|------------------------|
| -001 | - | - | - | - | - | - |
| -002 | 2X 1.000 | 2X 2.750 | 2X .688 DIA THRU | 2X .720 | 2X 2.095 | 2X 1.063 DIA THRU |
| -003 | 1.000 | 2.750 | - | - | 2X 2.095 | 2X 1.188 DIA THRU |
| -004 | 0.970 | 2.780 | - | - | 2X 1.500 | SEE -004 CONFIG DETAIL |

MATERIAL : G10 FIBERGLASS

TOLERANCES UNLESS OTHERWISE NOTED

.XX ±.01
.XXX ±.005

ANGULAR
±.1°



NATIONAL OPTICAL ASTRONOMY OBSERVATORIES
OPERATED BY THE
ASSOCIATION OF UNIVERSITIES FOR RESEARCH IN ASTRONOMY
UNDER COOPERATIVE AGREEMENT WITH
NATIONAL SCIENCE FOUNDATION

DO NOT SCALE DRAWING

NAME

USED ON

TORRENT

NEXT ASSEMBLY

**TRANSITION MODULE
ISOLATION
CONNECTOR PLATE**

DWG SIZE

B

REV

B

SCALE: 1:1

DESIGNED BY:

RATH / DeVRIES

CHECKED BY:

XXX

DRAWING NUMBER

TRNT-EL-02-1022

DWG PRODUCED USING
SOLIDWORKS
2010

DRAWN BY:

XXX

APPROVED BY:

XXX

RELEASE DATE: XX/XX/XX

SHEET: 1 OF 1