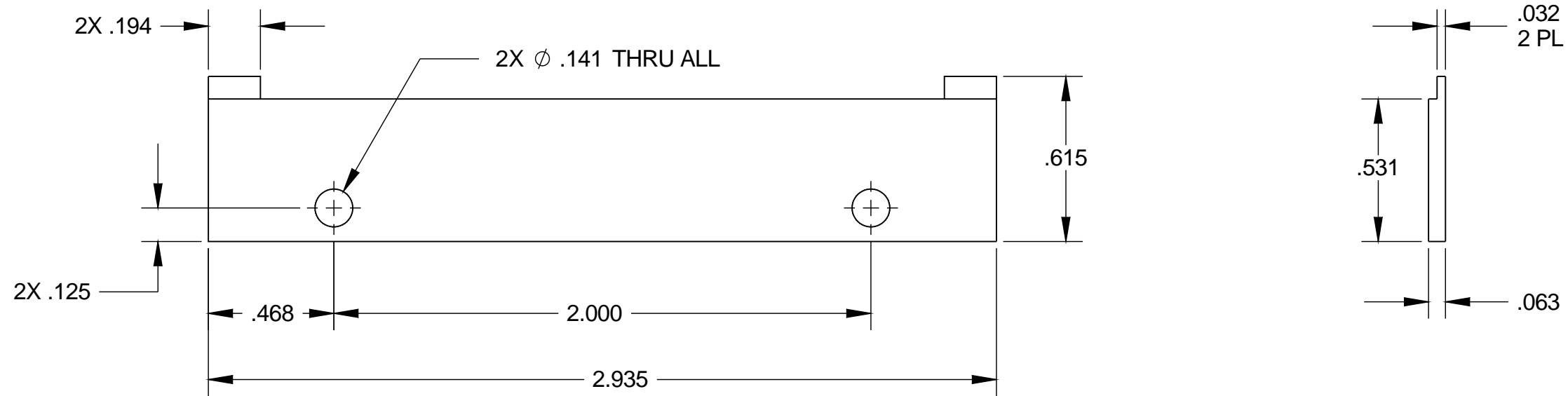


NOTES:

1. DIMENSIONS IN INCHES.
2. BREAK EDGES .02 MAX.
3. ELECTROLESS NICKEL PLATE PER ASTM B733-04 TYPE V (10% MIN PHOSPHORUS), SC1 (.0002" THK), CLASS 4.

ZONE	REV	DESCRIPTION	BY	DATE	APV BY
	A	CHNG 2x.199 TO 2x.194	MDK	9/19/2011	
	-	INITIAL RELEASE	JD	7/12/2010	
REVISIONS					



-1	
ITEM	WEIGHT (Lbs)

MATERIAL : ALUMINUM ALLOY 6061-T6		CALCULATED WEIGHT	
TOLERANCES UNLESS OTHERWISE NOTED .XX ±.01 ANGULAR ±.1° .XXX ±.005		NATIONAL OPTICAL ASTRONOMY OBSERVATORIES OPERATED BY THE ASSOCIATION OF UNIVERSITIES FOR RESEARCH IN ASTRONOMY UNDER COOPERATIVE AGREEMENT WITH NATIONAL SCIENCE FOUNDATION	
DO NOT SCALE DRAWING	NAME	USED ON	
NEXT ASSEMBLY	CONTROLLER EMI PLATE	TORRENT	
TRNT-EL-02-0002		DWG SIZE	REV
		B	A
SCALE: 2:1	DESIGNED BY: RATH / DeVRIES	CHECKED BY: XXX	DRAWING NUMBER TRNT-EL-02-1019
DWG PRODUCED USING SOLIDWORKS 2010	DRAWN BY: XXX	APPROVED BY: XXX	RELEASE DATE: XX/XX/XX SHEET: 1 OF 1