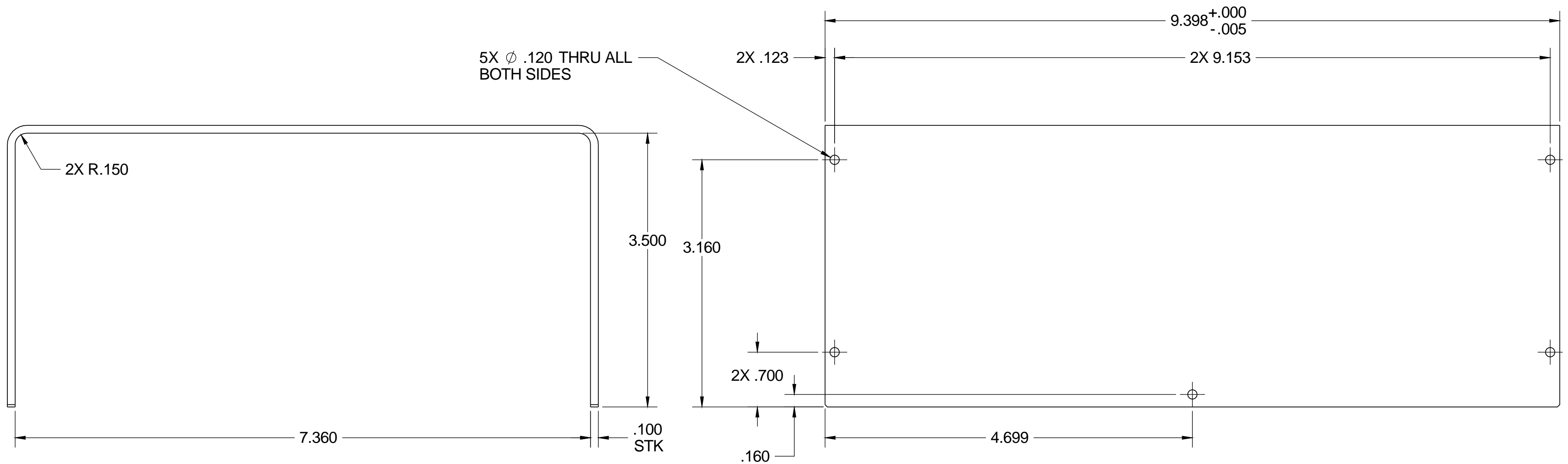


NOTES:

1. DIMENSIONS IN INCHES.
2. BREAK EDGES .02 MAX.
3. ELECTROLESS NICKEL PLATE PER ASTM B733-04 TYPE V (10% MIN PHOSPHORUS), SC1 (.0002" THK).

ZONE	REV	DESCRIPTION	BY	DATE	APV BY
	B	CHANGED TOLERANCES IN TITLE BLOCK	JD	1/20/2011	
	A	9.398 WAS 9.983, .123 WAS .115, .700 WAS .690, 4.699 WAS 4.692, .160 WAS .150, 3.500 WAS 3.49, 7.360 WAS 7 11/32, ADDED 3.160 DIM	JD	1/14/2011	
	-	INITIAL RELEASE	JD	7/12/2010	
REVISIONS					



MATERIAL :ALUMINUM ALLOY 5052-H32		 THIRD ANGLE PROJECTION		NATIONAL OPTICAL ASTRONOMY OBSERVATORIES OPERATED BY THE ASSOCIATION OF UNIVERSITIES FOR RESEARCH IN ASTRONOMY UNDER COOPERATIVE AGREEMENT WITH NATIONAL SCIENCE FOUNDATION	
TOLERANCES UNLESS OTHERWISE NOTED .XX ±.01 ANGULAR ±.1° .XXX ±.005		DO NOT SCALE DRAWING NEXT ASSEMBLY TRNT-EL-02-0002		NAME CONTROLLER COVER	
SCALE: 1:1 DWG PRODUCED USING SOLIDWORKS 2010		DESIGNED BY: RATH / DeVRIES		CHECKED BY: XXX	
DRAWN BY: XXX		APPROVED BY: XXX		DRAWING NUMBER TRNT-EL-02-1008	
USED ON TORRENT		DWG SIZE C		REV B	
SHEET: 1 OF 1		RELEASE DATE:		CALCULATED WEIGHT	

ITEM	WEIGHT (Lbs)
-1	
CALCULATED WEIGHT	