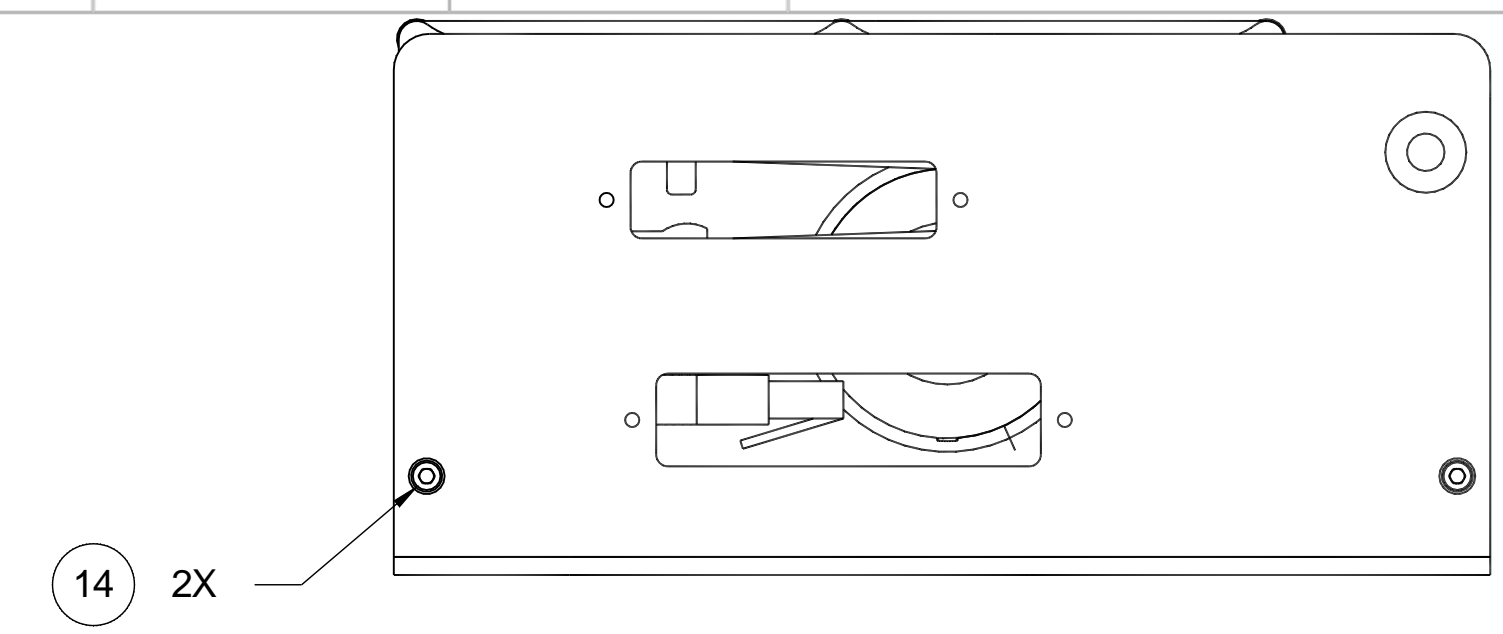
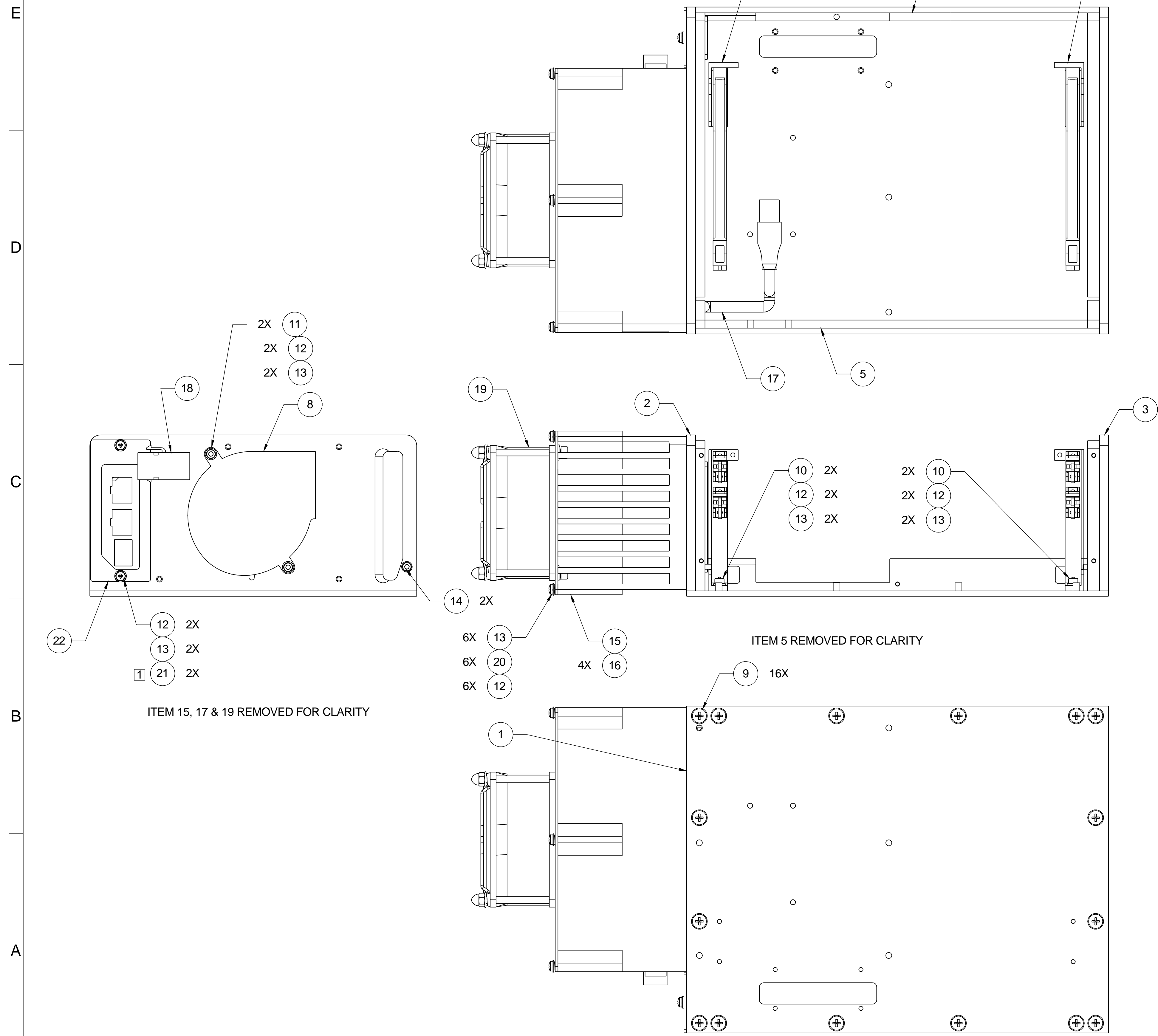


NOTES UNLESS OTHERWISE SPECIFIED:

- 1. SCREWS ARE LONG TO FACILITATE INSTALLATION & REMOVAL OF LOCAL CONTROL BOARD.

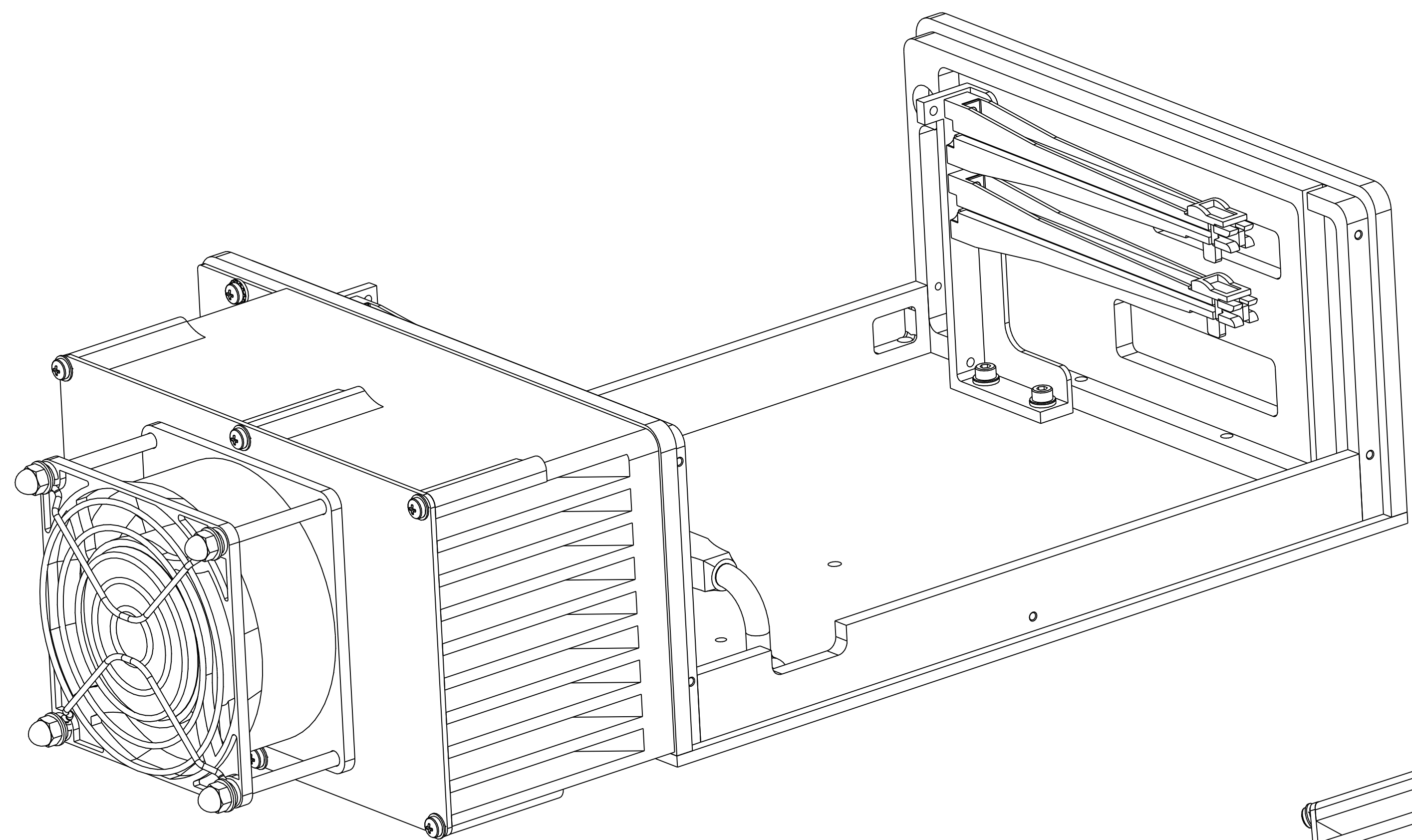
		1. ADDED ITEMS 15 THRU 20 TO ASSY 2. CHG ITEM 8 FROM NMB TECH P/N BGO703 B044 TO TRNT-EL-12-0014 3. CHG QTY FOR ITEM 12 FROM 6 TO 14; item 13 from 6 to 14. 4. ADD ITEMS 21 & 22. 5. CHG DESC FOR ITEM 12 FROM "WASHER, LOCK M3"; CHG DESC FOR ITEM 13 FROM "WASHER, FLAT M3"	MDK	1/18/2012	
	-	INITIAL RELEASE	JD	7/23/2010	
ZONE	REV	DESCRIPTION	BY	DATE	APV BY
REVISIONS					

ITEM NO.	QUANTITY	MANUFACTURER	PART NO.	DESCRIPTION
1	1		TRNT-EL-02-1002	CONTROLLER BOTTOM PLATE
2	1		TRNT-EL-02-1003	CONTROLLER REAR PANEL
3	1		TRNT-EL-02-1004	CONTROLLER FRONT PANEL
4	1		TRNT-EL-02-1005	CONTROLLER CROSS RAIL, RIGHT
5	1		TRNT-EL-02-1006	CONTROLLER CROSS RAIL, LEFT
6	1		TRNT-EL-02-0009	CONTROLLER MODULE PCB MOUNT, REAR
7	1		TRNT-EL-02-0010	CONTROLLER MODULE PCB MOUNT, FRONT
8	1		TRNT-EL-12-0014	BLOWER, 12 V, 29 A, 10.6 CFM MAX AIR FLOW, ALTERED
9	16			SCREW, FLAT HD, M4 X 8 MM L, CRES
10	4			SCREW, SHC, M3 X 8 MM L, CRES
11	2			SCREW, SHC, M3 X 35 MM L, CRES
12	14			WASHER, SPLIT LOCK, M3, CRES
13	14			WASHER, FLAT, M3, CRES
14	4			SCREW, SHC, M3 X 12, CRES
15	1		TRNT-EL-02-1037	FINNED BLOWER HOUSING
16	4			SCREW, SHC, M3 X 40, CRES
17	1	L-COM	TRD695SCR-1	ETHERNET PATCH CABLE, SHIELDED CAT 6, 12" L
18	1	TYCO	C-555051-1	COUPLER, RJ45 RIGHT ANGLE, 8 POSITION, PANEL MOUNT
19	1		TRNT-EL-02-0007	FINNED BLOWER COVER ASSEMBLY
20	6			SCREW, PPH, M3 X 8, CRES
21	2			SCREW, PAN HD, M3 X 12 MM L, CRES
22	1		TRNT-EL-02-1007	CONTROLLER REAR PANEL INSERT

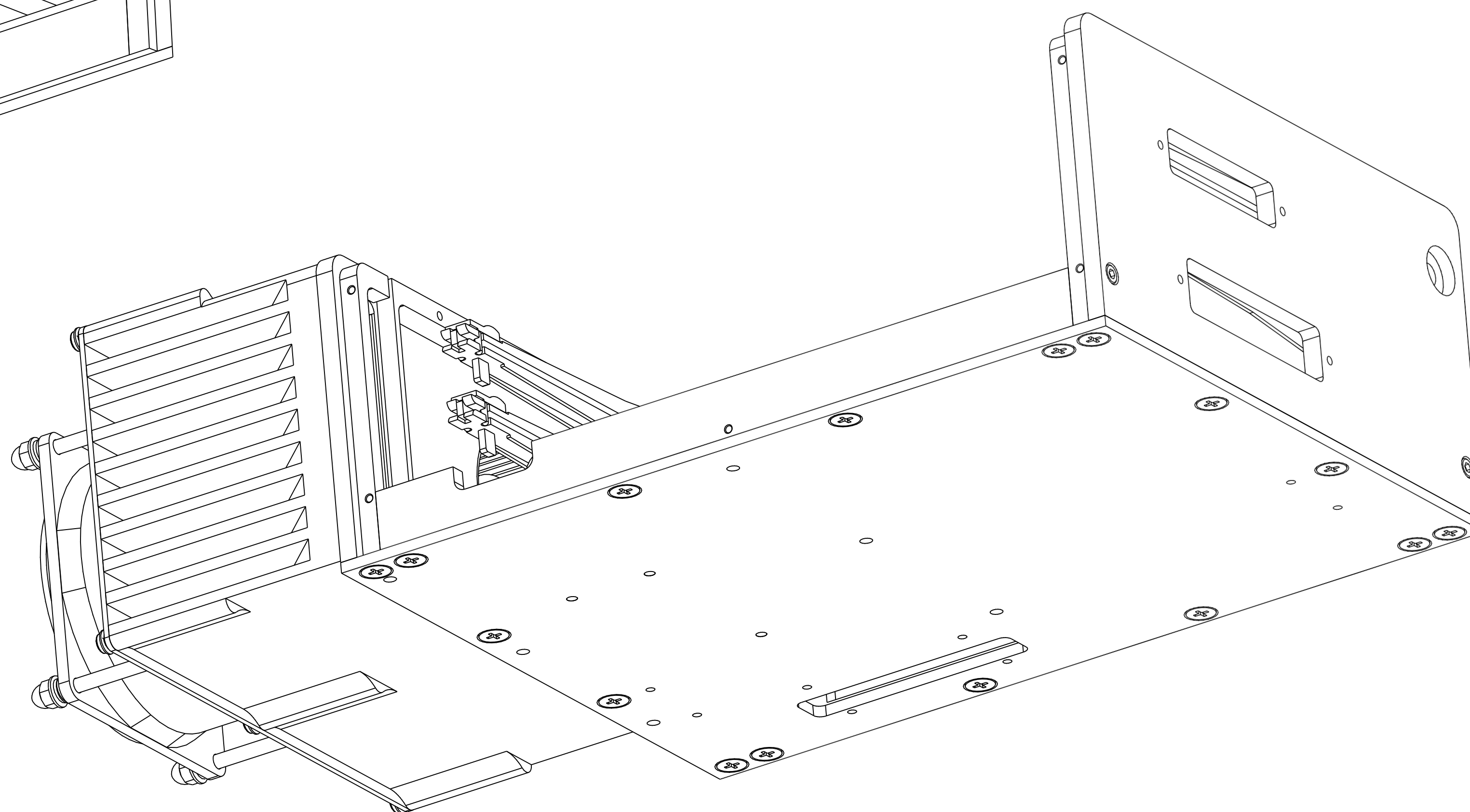


MATERIAL :		TOLERANCES UNLESS OTHERWISE NOTED		DESIGNED BY: DeVRIES / RATH		CHECKED BY: XXX		DRAWING NUMBER: TRNT-EL-02-0008	
.XX ± .03 .XXX ± .010		ANGULAR ± 5°		THIRD ANGLE PROJECTION		NATIONAL SOLAR OBSERVATORY OPERATED BY THE ASSOCIATION OF UNIVERSITIES FOR RESEARCH IN ASTRONOMY UNDER COOPERATIVE AGREEMENT WITH NATIONAL SCIENCE FOUNDATION		USED ON: TORRENT	
DO NOT SCALE DRAWING		NAME: CONTROLLER MODULE CHASSIS		DWG SIZE: D		REV: A			
NEXT ASSEMBLY: TRNT-EL-02-0002		SCALE: 3:4		DWG PRODUCED USING: SOLIDWORKS 2010		APPROVED BY: DeVRIES		RELEASE DATE: XX/XX/XX	
ITEM WEIGHT (Lbs)		CALCULATED WEIGHT		SHEET: 1 OF 2					

E  
D  
C  
B  
A



REFERENCE VIEW ONLY



REFERENCE VIEW ONLY

MATERIAL :		TOLERANCES UNLESS OTHERWISE NOTED .XX ± .03 .XXX ± .010		ANGULAR ± 5°		THIRD ANGLE PROJECTION		NATIONAL SOLAR OBSERVATORY OPERATED BY THE ASSOCIATION OF UNIVERSITIES FOR RESEARCH IN ASTRONOMY UNDER COOPERATIVE AGREEMENT WITH NATIONAL SCIENCE FOUNDATION	
DO NOT SCALE DRAWING		NAME		USED ON		TORRENT			
NEXT ASSEMBLY		TRNT-EL-02-0002		CONTROLLER MODULE CHASSIS		DWG SIZE		REV	
						D		A	
SCALE: 1:1		DESIGNED BY DeVRIES / RATH		CHECKED BY XXX		DRAWING NUMBER		TRNT-EL-02-0008	
DWG PRODUCED USING SOLIDWORKS 2010		DRAWN BY DeVRIES		APPROVED BY XXX		RELEASE DATE: XX/XX/XX		SHEET: 2 OF 2	

-1	
ITEM	WEIGHT (Lbs)
CALCULATED WEIGHT	

27

26

25

24

23

22

21