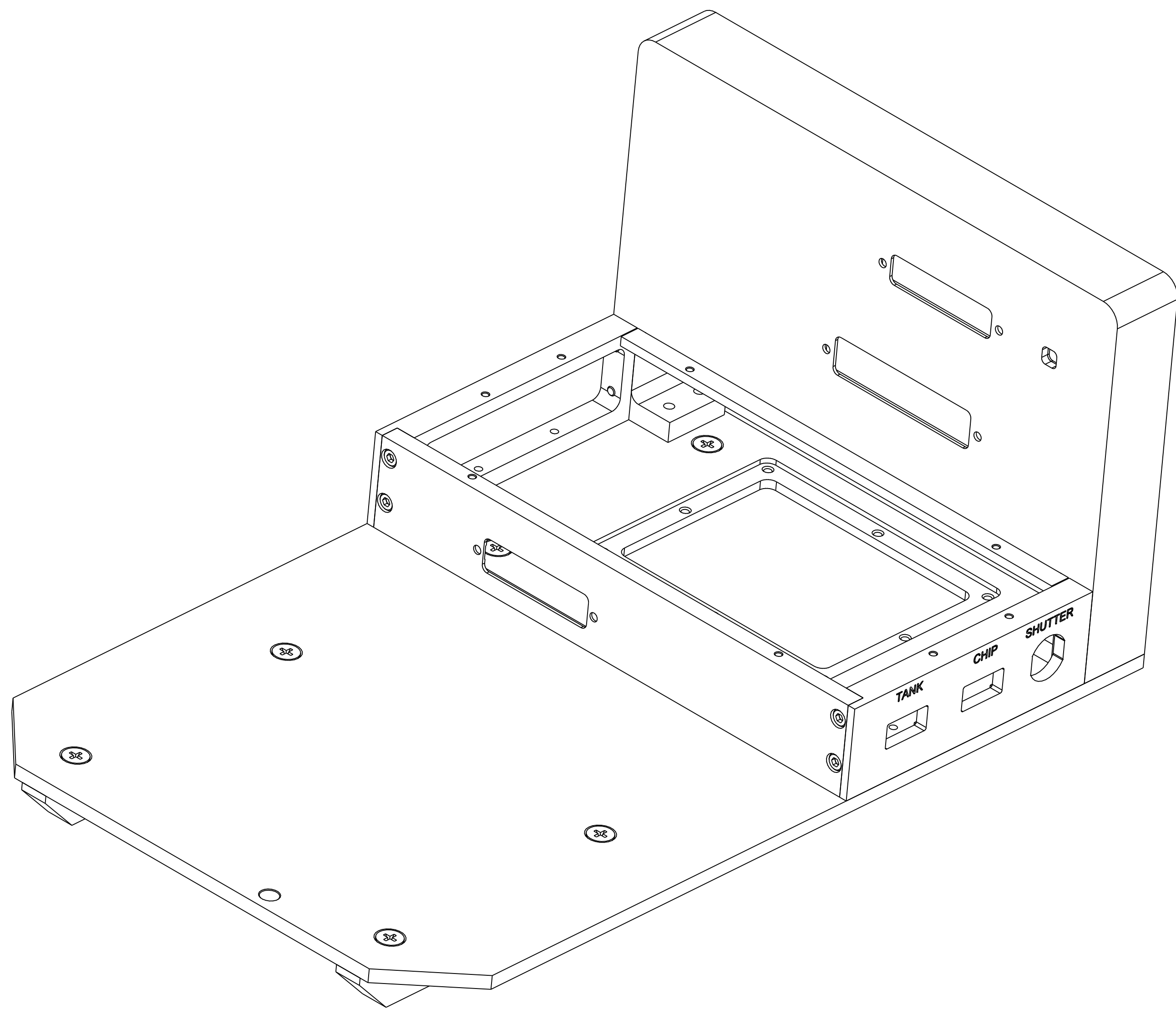
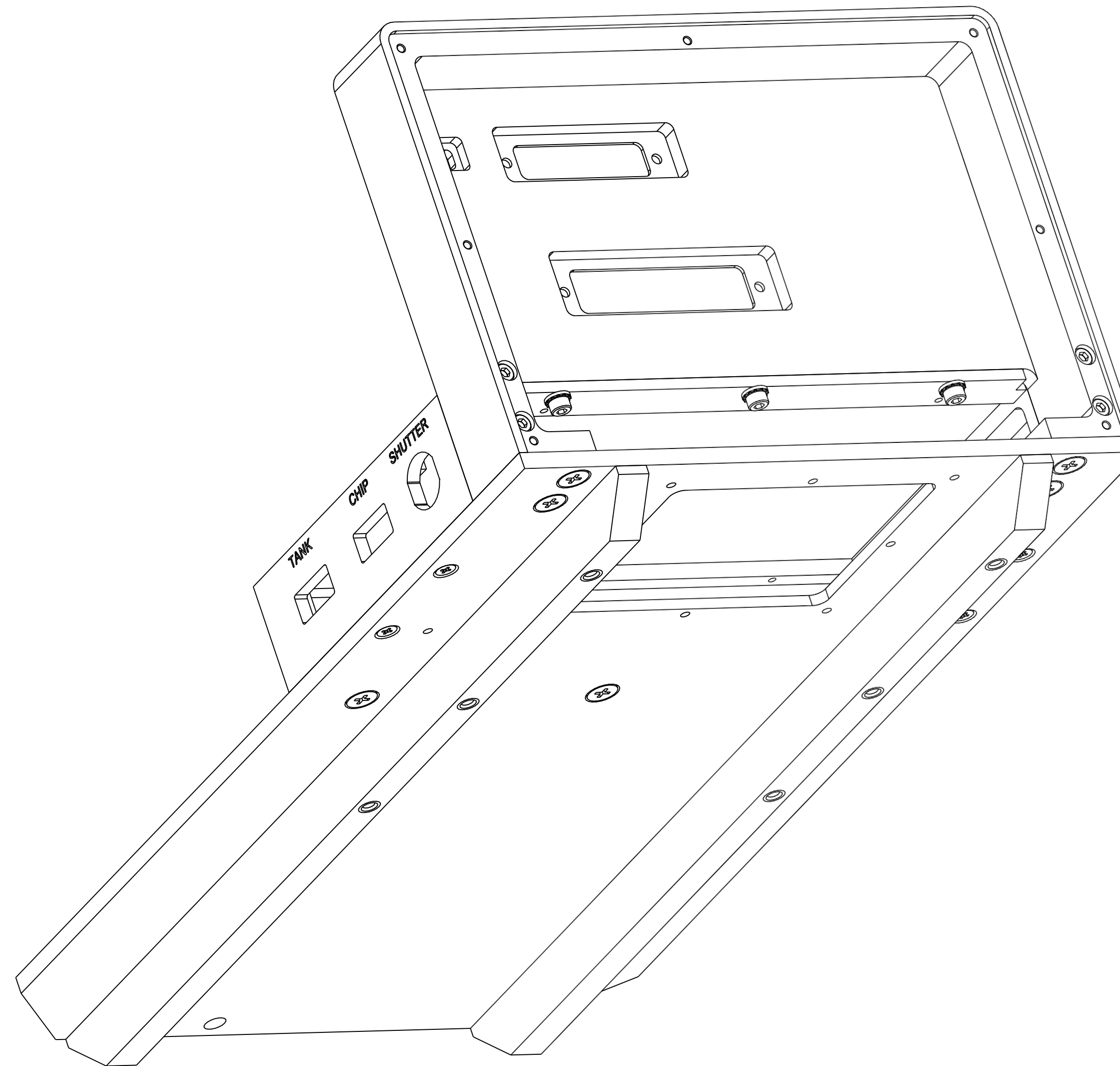


E
D
C
B
A

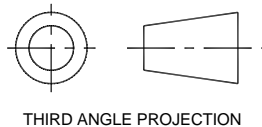


REFERENCE VIEW ONLY



REFERENCE VIEW ONLY

APPROVED
REFERENCE
COPY

MATERIAL :		TOLERANCES UNLESS OTHERWISE NOTED		 THIRD ANGLE PROJECTION		NATIONAL SOLAR OBSERVATORY <small>OPERATED BY THE</small> ASSOCIATION OF UNIVERSITIES FOR RESEARCH IN ASTRONOMY <small>UNDER COOPERATIVE AGREEMENT WITH</small> NATIONAL SCIENCE FOUNDATION	
DO NOT SCALE DRAWING		NAME		USED ON		TORRENT	
NEXT ASSEMBLY		TRANSITION MODULE CHASSIS		DWG SIZE		REV	
TRNT-EL-02-0003 TRNT-EL-02-0014				D		B	
SCALE: 1:1		DESIGNED BY		CHECKED BY:		DRAWING NUMBER	
<small>DWG PRODUCED USING</small> SOLIDWORKS 2010		RATH / DeVRIES		XXX		TRNT-EL-02-0006	
DRAWN BY:		APPROVED BY:		RELEASE DATE:		SHEET: 2 OF 2	
DeVRIES		XXX		XX/XX/XX			

-1	
ITEM	WEIGHT (Lbs)
CALCULATED WEIGHT	

27

26

25

24

23

22

21