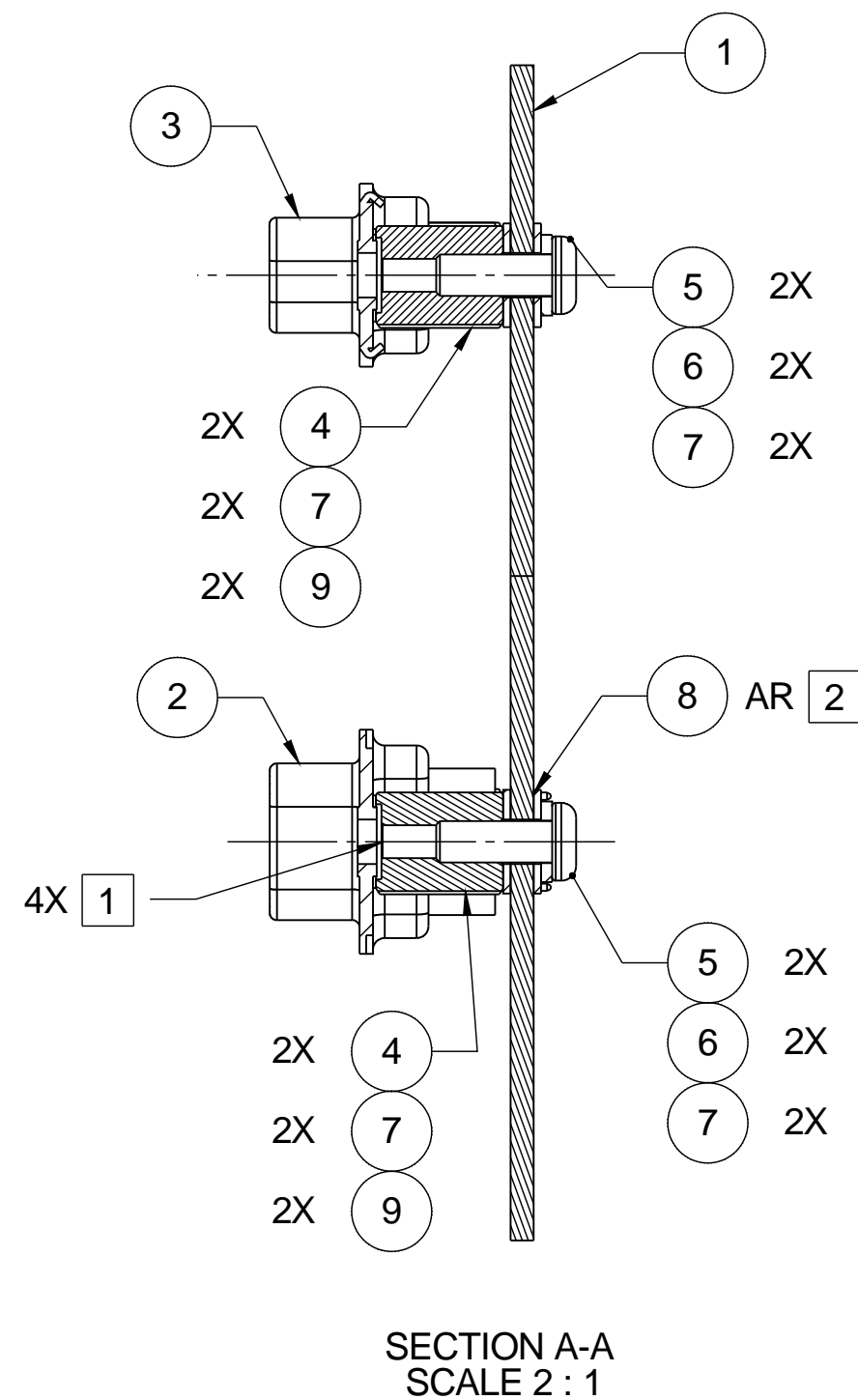
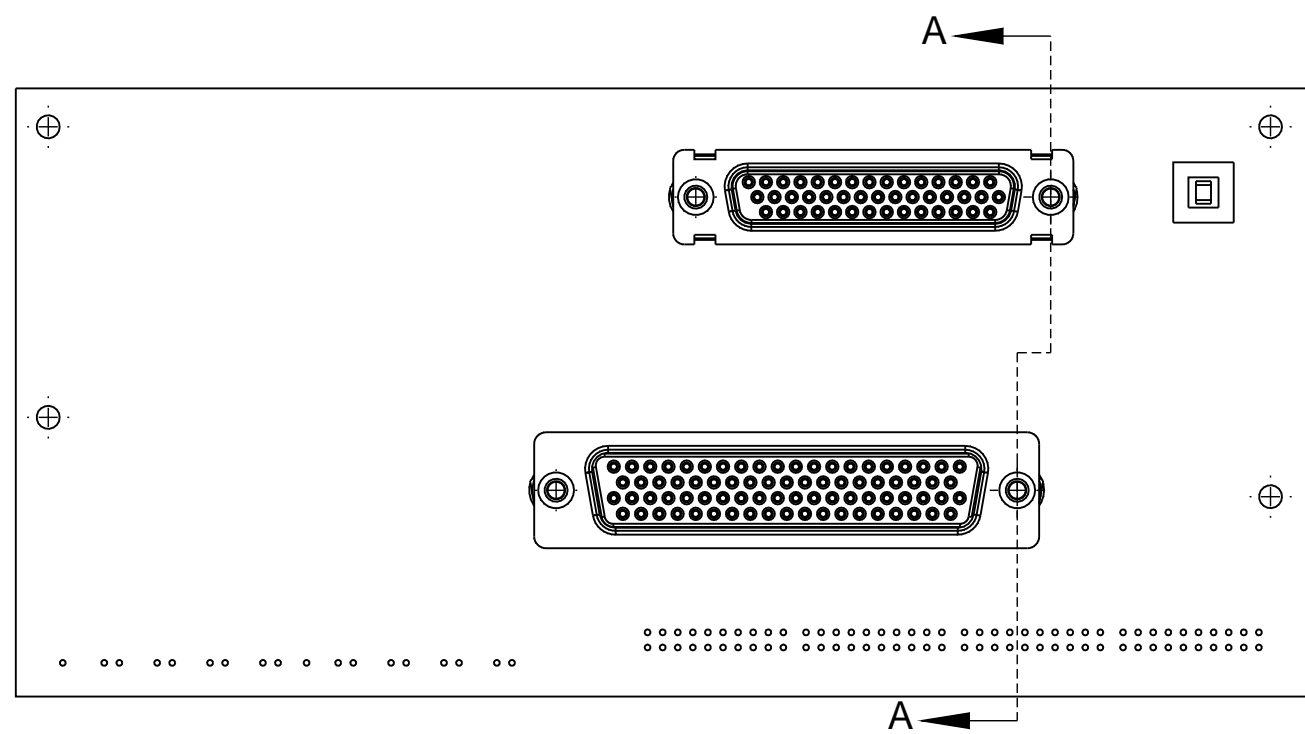


NOTES UNLESS OTHERWISE SPECIFIED:

- 1 REMOVE BLIND MATING GUIDES FROM ITEMS 2 & 3 AND REASSEMBLE TO CONNECTORS AS SHOWN ON DRAWING TRNT-EL-02-0003.
- 2 ASSEMBLE ITEMS 4, 5, 6, 7 & 9 TO ITEM 1. SOLDER ITEMS 2 & 3 TO ITEM 1 (RoHS COMPLIANT).



ZONE	REV	DESCRIPTION	BY	DATE	APV BY
	A	CHG ITEM 4 FROM TRNT-EL-12-001 TO McMASTER-CARR P/N 91780A423; CHG ITEM 7 TO McMASTER-CARR P/N 90295A060 QTY 8 & CHG MAT. TO NYLON; ADD ITEM 9; ADD P/N BALLONS AND QTY TO FOELD OF DWG	MDK	1/20/2012	
	-	INITIAL RELEASE	JD	7/22/2010	
REVISIONS					

ITEM NO.	QUANTITY	MANUFACTURER	PART NO.	DESCRIPTION
1	1		TRNT-EL-04-0007	CCD PREAMP TRANSITION BOARD
2	1	POSITRONICS	DD44F30000-759.0	D-SUB CONNECTOR, FEMALE, 44 PIN
3	1	POSITRONICS	DD78F30000-759.0	D-SUB CONNECTOR, FEMALE, 78 PIN
4	4	McMASTER-CARR	91780A423	STANDOFF, 4-40x 11/62 L, 1/4 HEX
5	4			SCREW, PAN HD, 4-40 X .31 L, CRES
6	4			LOCK WASHER, #4, CRES
7	8	McMASTER-CARR	90295A060	FLAT WASHER, #4, REDUCED OD, NYLON
8	AR			SOLDER
9	4	McMASTER-CARR	99040A408	WASHER, SHIM

MATERIAL :		TOLERANCES UNLESS OTHERWISE NOTED .XX ±.03 ANGULAR ±.5° .XXX ±.010		THIRD ANGLE PROJECTION		NATIONAL OPTICAL ASTRONOMY OBSERVATORIES OPERATED BY THE ASSOCIATION OF UNIVERSITIES FOR RESEARCH IN ASTRONOMY UNDER COOPERATIVE AGREEMENT WITH NATIONAL SCIENCE FOUNDATION	
DO NOT SCALE DRAWING		NAME		USED ON		TORRENT	
NEXT ASSEMBLY		CCD PREAMP TRANSITION BOARD ASSEMBLY		DWG SIZE		REV	
TRNT-EL-02-0003				C		A	
SCALE: 1:1		DESIGNED BY: RATH / DeVRIES		CHECKED BY: XXX		DRAWING NUMBER	
DWG PRODUCED USING SOLIDWORKS 2010		DRAWN BY: DeVRIES		APPROVED BY: XXX		TRNT-EL-02-0005	
CALCULATED WEIGHT				RELEASE DATE:		SHEET: 1 OF 1	

ITEM	WEIGHT (Lbs)
-1	
CALCULATED WEIGHT	