

# NOAO

## ENGINEERING CHANGE ORDER

BOARD NAME <u>Clock &amp; Bias Flex Circuit</u>	ECO# <b>TRNT-021</b>	DATE <u>18JAN08</u>
BRD SERL# _____ REV _____	ART# <u>TRNT-EL-07-0006</u>	
PN# _____ REV _____		REV _____
ASBLY# <u>TRNT-EL-04-0006</u> REV <u>OD</u>	PCB# <u>TRNT-EL-04-1006</u>	REV <u>OD</u>
BOM# <u>(SEE asbly)</u> REV _____	SCH# <u>TRNT-EL-04-2006</u>	REV <u>OD</u>
COGNIZANT ENGNR _____	APPROVD _____	

**REASON FOR MODIFICATION:**

To reduce interference with the GIGe box, better fix of flex cable, reinforce junction of rigid/flex junction

DRAWINGS AFFECTED:	NEW REV
TRNT-EL-04-0006	A
TRNT-EL-04-106	A
TRNT-EL-04-2006	A
TRNT-EL-04-3006	A

**DESCRIPTION OF MODIFICATION:**

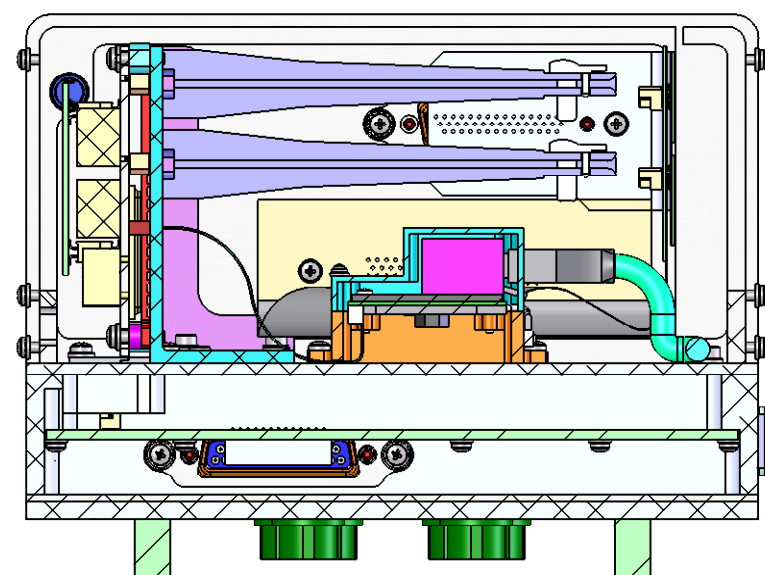
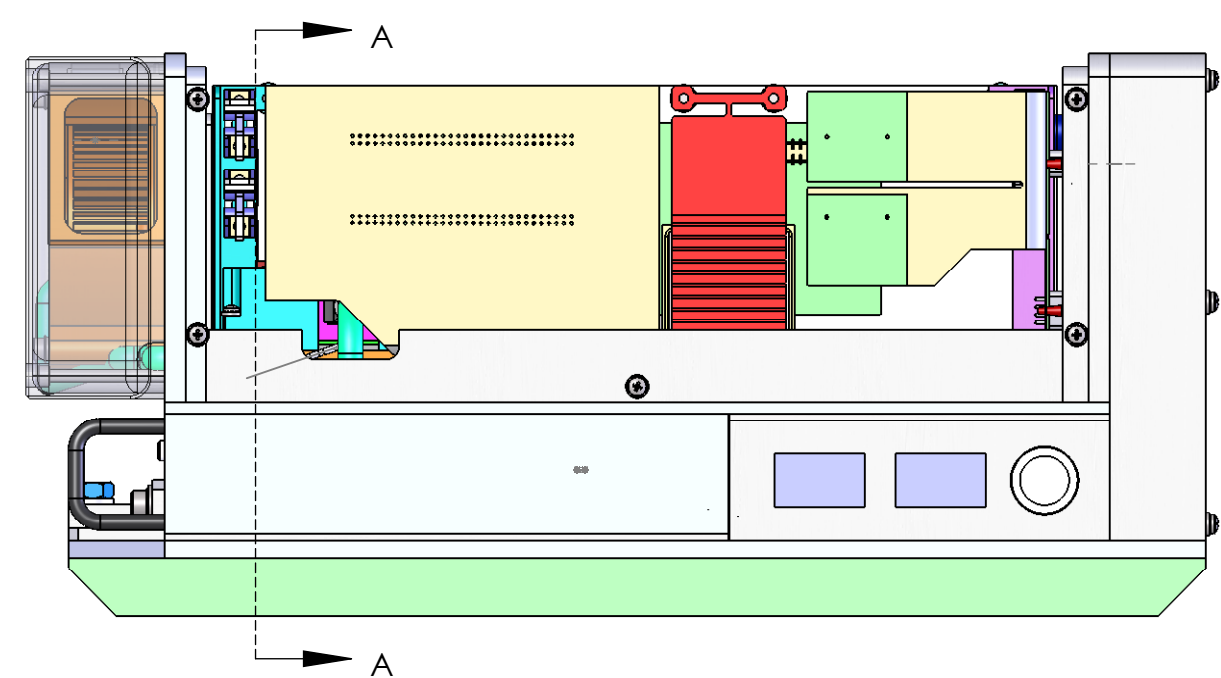
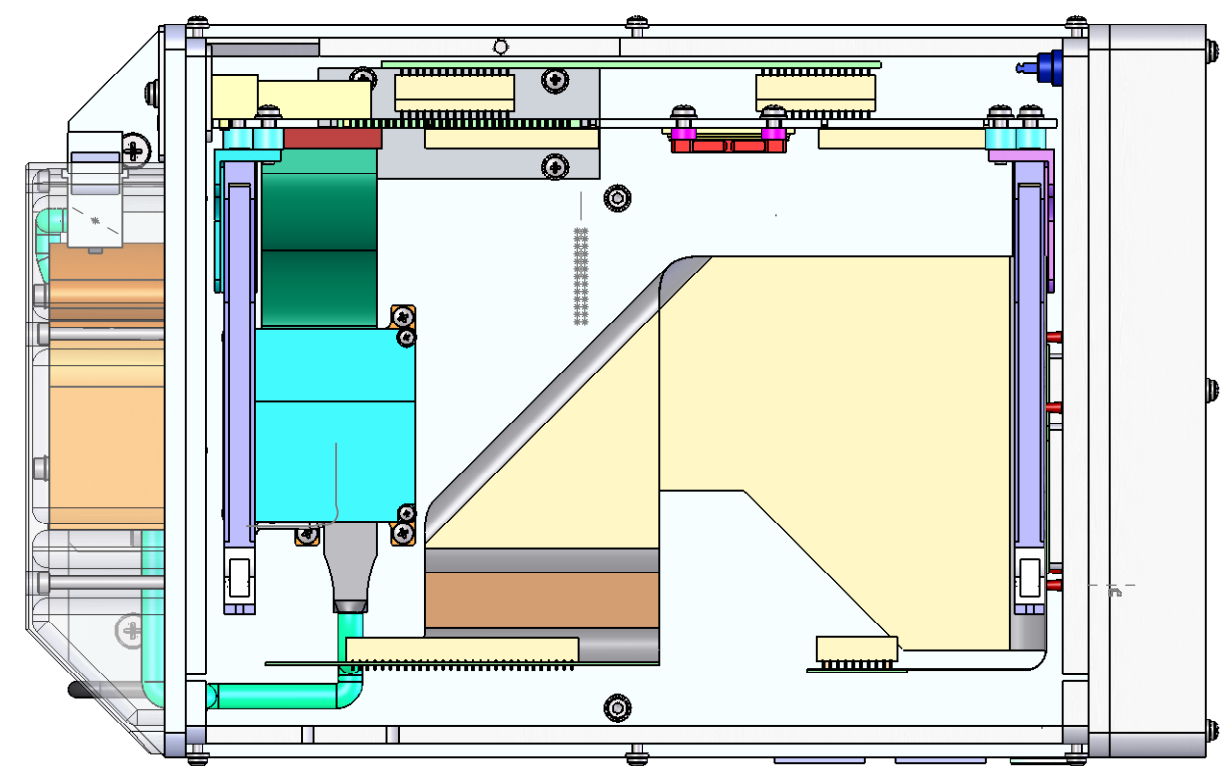
Change shape and dimension to be that shown in attached drawing

[Clk & Bias Flex Dimensions](#)

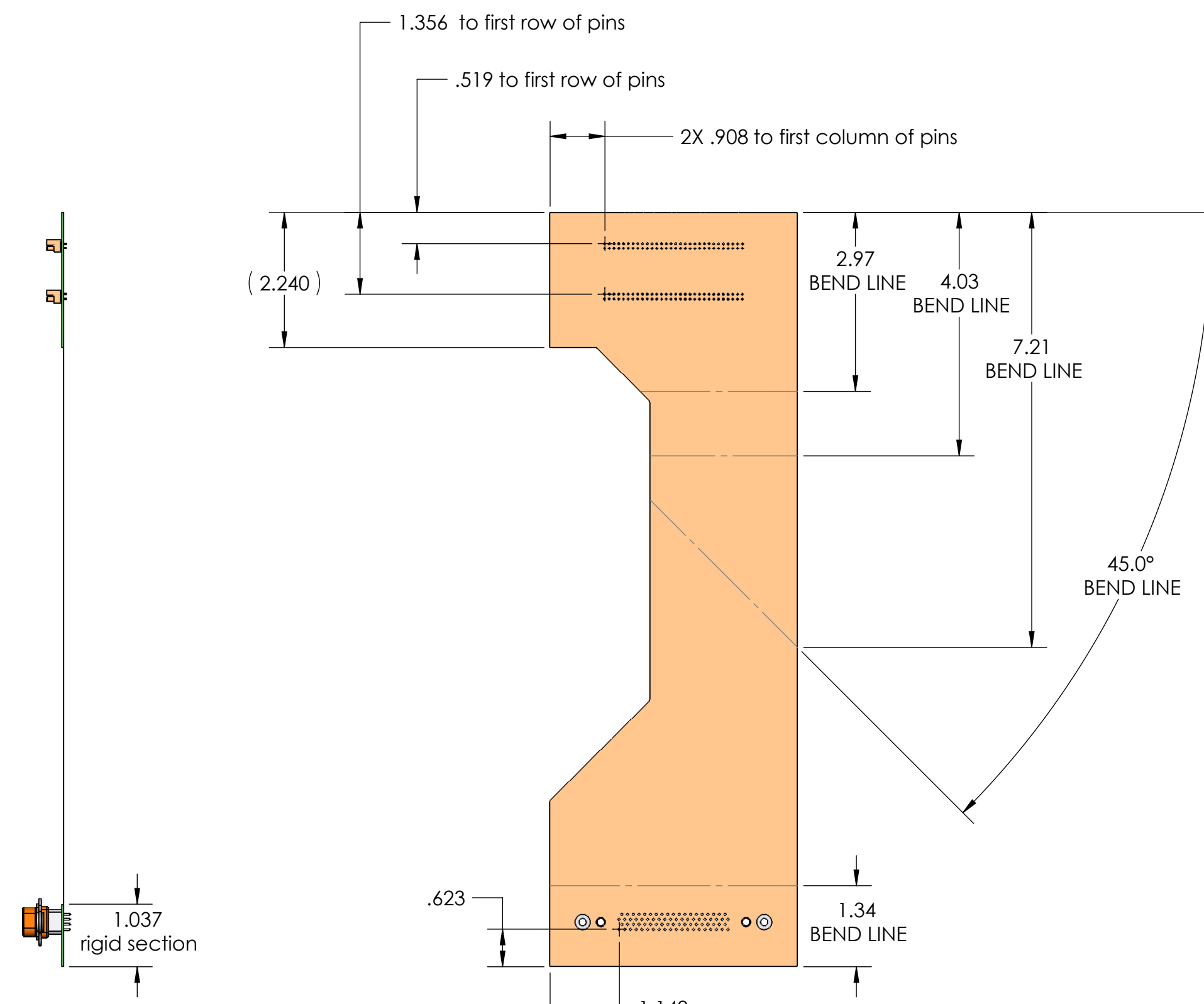
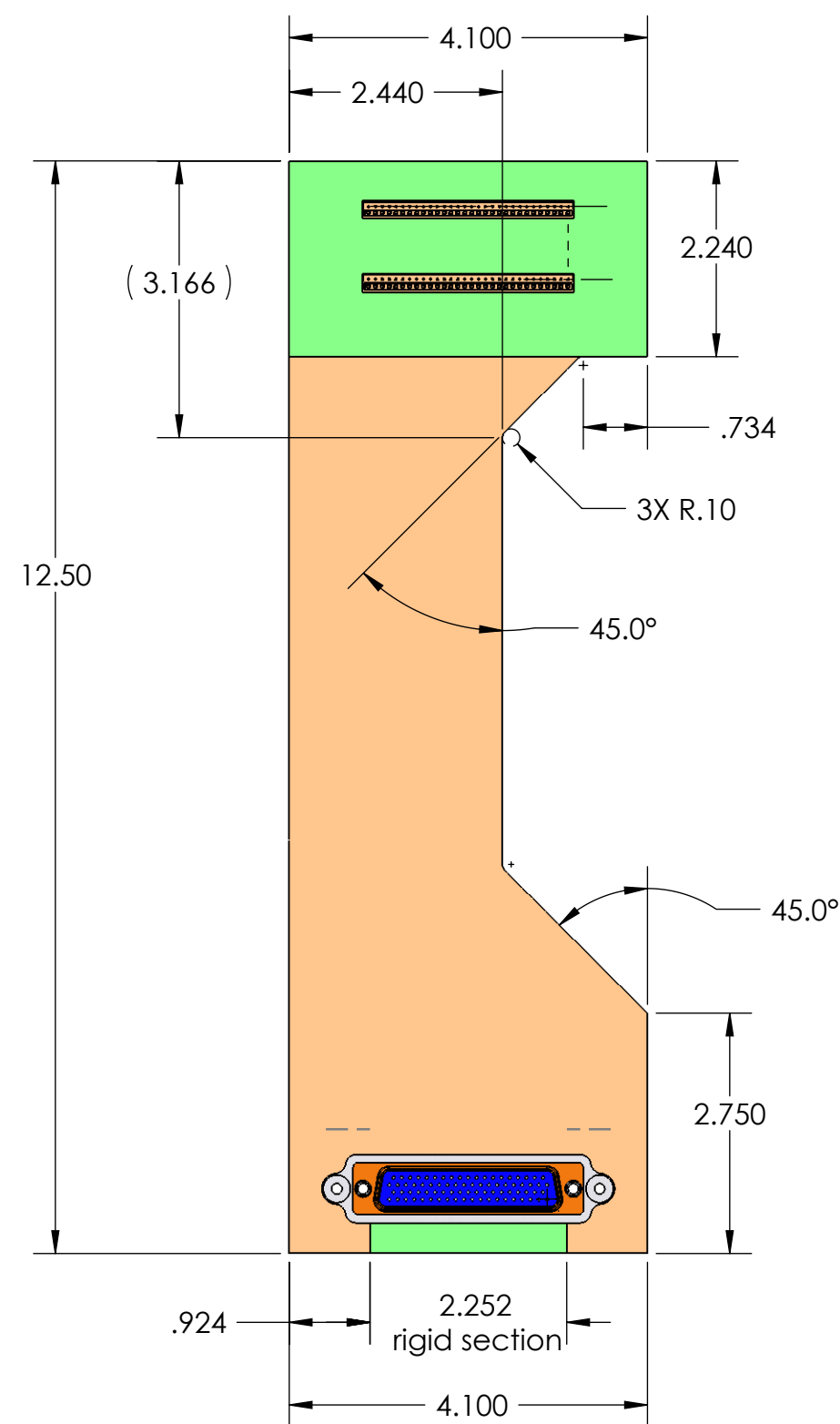
Add bead bond to junction to help prevent tearing of flex circuit

This section to be completed by reviewing authority			
Review Date:		Reviewer(s):	
Disposition:	<input type="checkbox"/> Approved	<input type="checkbox"/> Denied	<input type="checkbox"/> Request Additional Information

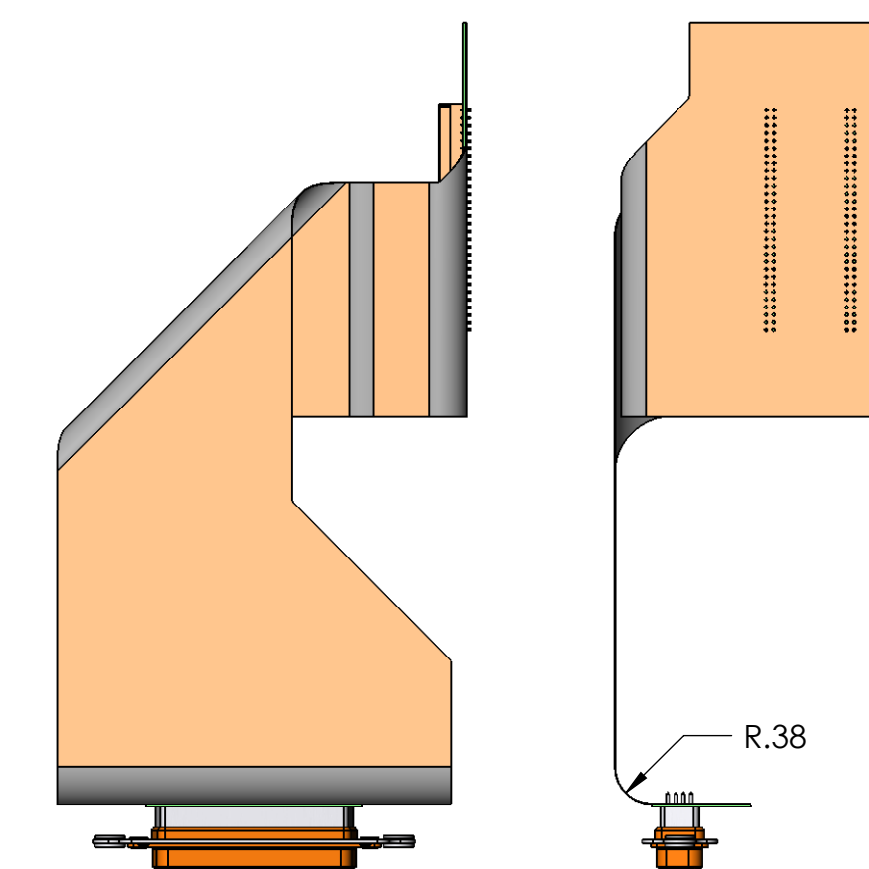
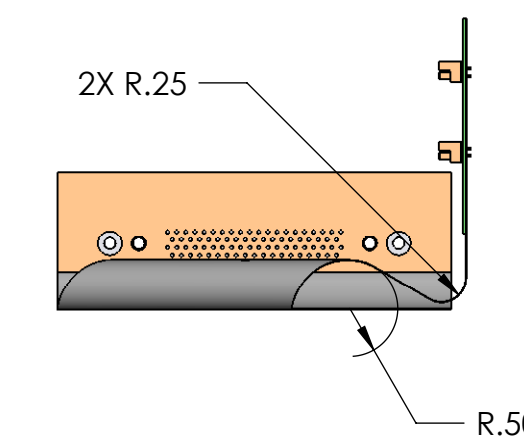
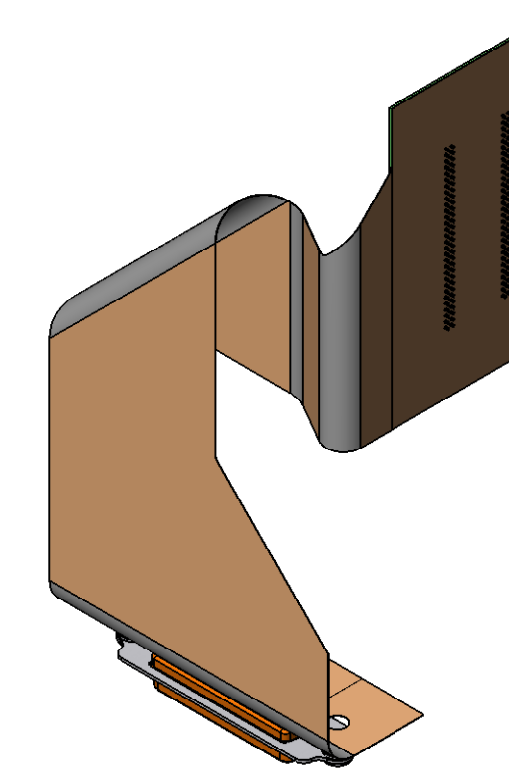
E  
D  
C  
B  
A



SECTION A-A



FLAT PATTERN



MATERIAL :		TOLERANCES UNLESS OTHERWISE NOTED		 THIRD ANGLE PROJECTION		NATIONAL SOLAR OBSERVATORY OPERATED BY THE ASSOCIATION OF UNIVERSITIES FOR RESEARCH IN ASTRONOMY UNDER COOPERATIVE AGREEMENT WITH NATIONAL SCIENCE FOUNDATION	
DO NOT SCALE DRAWING		NAME		USED ON		<b>TORRENT</b>	
NEXT ASSEMBLY		<b>CLK &amp; Bias Flex Dimensions</b>		DWG SIZE		REV	
				D			
SCALE: 1:2		DESIGNED BY:		CHECKED BY:		DRAWING NUMBER	
DWG PRODUCED USING		DRAWN BY:		APPROVED BY:		RELEASE DATE:	
SOLIDWORKS 2010		J. DeVries		XXX		09/09/10	
ITEM		WEIGHT (Lbs)		CALCULATED WEIGHT		SHEET: 1 OF 1	