



NATIONAL OPTICAL  
ASTRONOMY  
OBSERVATORY

MAJOR INSTRUMENTATION GROUP,  
950 N. Cherry Ave.  
P. O. Box 26732  
Tucson, Arizona 85726-6732  
(520) 318-8000 FAX: (520) 318-8303

**MONSOON**  
**Assembly**  
**Master Control Board**  
**SN018 - SN023**

**Dwg No.: MNSN-EL-10-0400-018 Rev: A**

**Next Assembly: MNSN-EL-10-0001**  
**MNSN-EL-10-0002**  
**MNSN-EL-10-0003**  
**MNSN-EL-10-0004**  
**MNSN-EL-10-0004**  
**MNSN-EL-10-0004**  
**MNSN-EL-10-0005**  
**MNSN-EL-10-0006**

**MNSN-EL-10-0007**  
**MNSN-EL-10-0008-001 to 003**  
**MNSN-EL-10-0009**  
**MNSN-EL-10-0010**  
**MNSN-EL-10-0011**  
**MNSN-EL-10-0012**

LTR	DESCRIPTION	ECR	DATE	BY	APPRVD
--	initial release				
-1	notes		18-May-06	dms	
A					

## NOTES

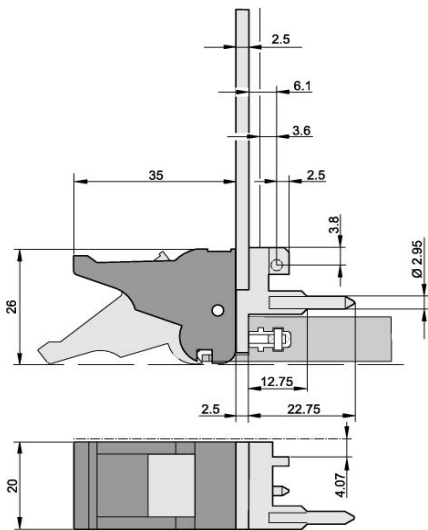
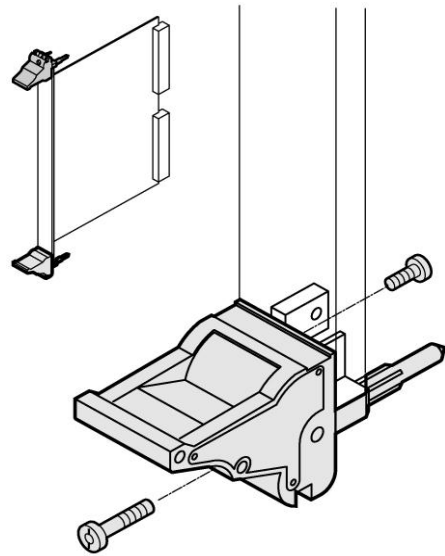
## ASSEMBLY Master Control Board

DWG #: MNSN-EL-10-0400  
10/5/2006

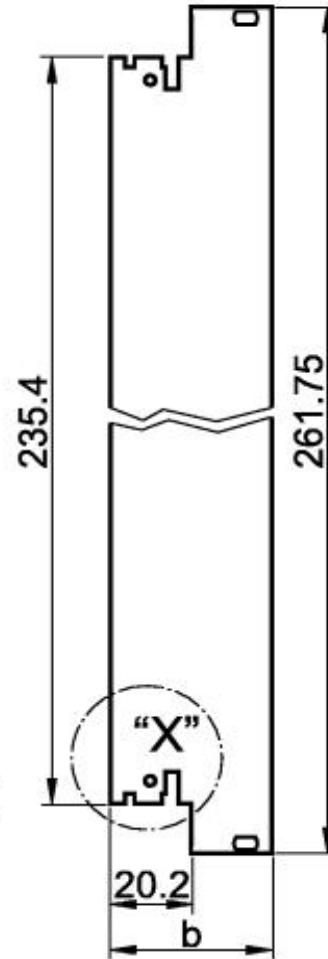
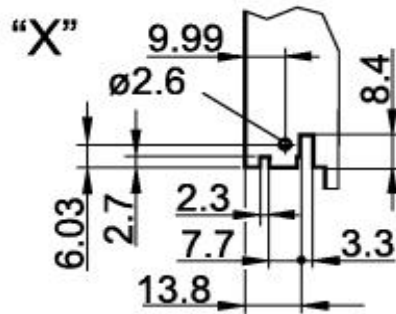
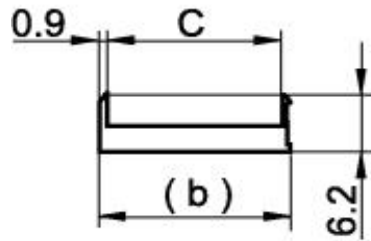
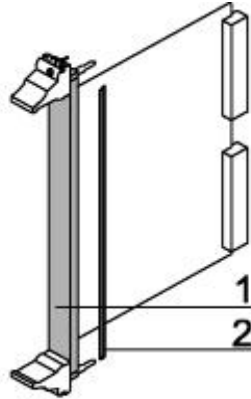
1. ART = Assembly Record Tag Document
2. FUN= Function Test, may come as test results without document number

ITEM	QTY	Part /Dwg Number	MFR	Description	COMMENT
1	1	MNSN-AD-08-0001	NOAO	Manual, Master Control Board Description	
2	1	MNSN-EL-04-0001	NOAO	PCB assembly, Master Control Board	
3	1	MNSN-EL-04-2001	NOAO	Schematic, Master Control Board	
4	1	MNSN-EL-04-4001-018	NOAO	BOM, Master Control Board SN001 - SN017	
5	1	MNSN-EL-02-1401	NOAO	Detail Panel, Master Control Board	Made from Item 8
6	9	MNSN-EL-07-0401-*	NOAO	ART, Master Control Board SN001 through 017	select file pertaining to serial # in question
7	9	MNSN-EL-08-0401-*	NOAO	FUN, Master Control Board SN001 through 017	select file pertaining to serial # in question
8	1	20817-732	Schroff	Handle, IEL locking function bottom	see sheet 6
9	1	20817-734	Schroff	Handle, IEL locking function top	
10	1	30848-317	Schroff	Panel, 6U shielded Front Panel	
11	1	21100-146	Schroff	Screws, pcb to front panel	
12	1	21101-751	Schroff	PCB holder / spacer, center	
13	?	20817-501	Schroff	Keying plug board slot	
14	1	MNSN-AD-02-0005	NOAO	SDN, Board Keying Assignment	REFERENCE
15	1	SL240	Systran	OEM Board, CMC FPDP Interface	serial number can be found in ART doc
16	1	McbSeqFpgaV44.mcs	NOAO	U25 Firmware CHKSUM: 0014deb4c Date:10/4/2005	
17	1	mcbseqfpgav44.bit	NOAO	U22 Firmware CHKSUM: 05100401 Date:10/4/2005	
18	1	McbPixFpgaV461.mcs	NOAO	U26 Firmware CKKSUM: 0015249db Date: 2/09/2006	
19	1	McbPixFpgaV461.bit	NOAO	U20 Firmware CKKSUM: 06020902 Date: 2/09/2006	
20					

Panel assembly



ASSEMBLY  
MASTER CONTROL BOARD



DWG: MNSN-EL-10-0400  
3/20/2006