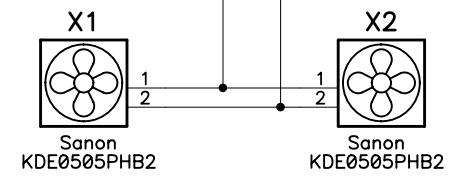
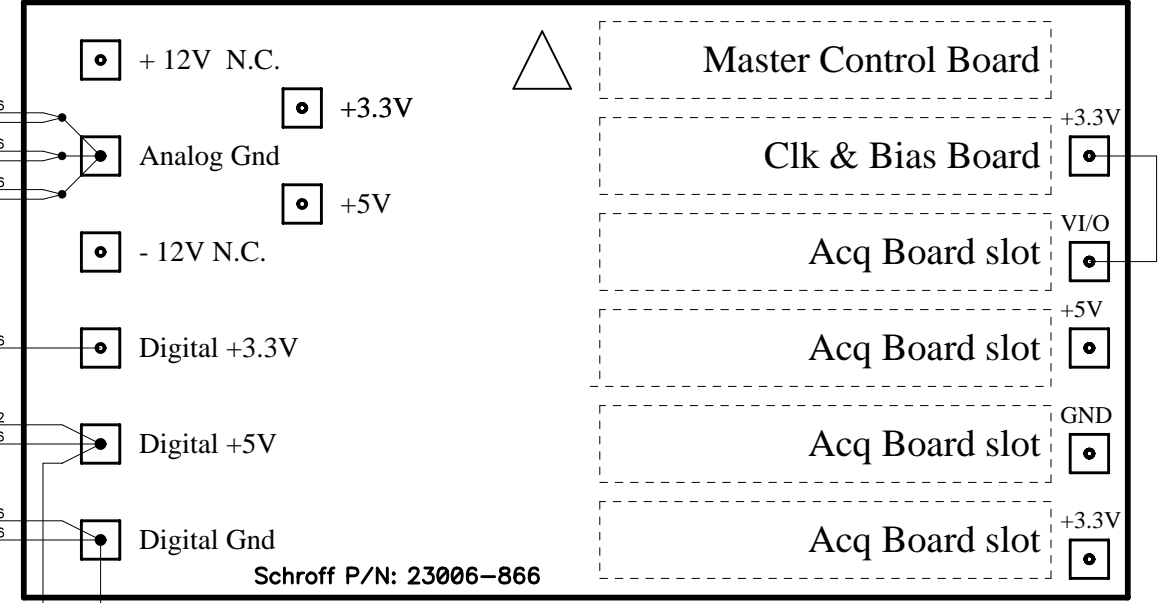
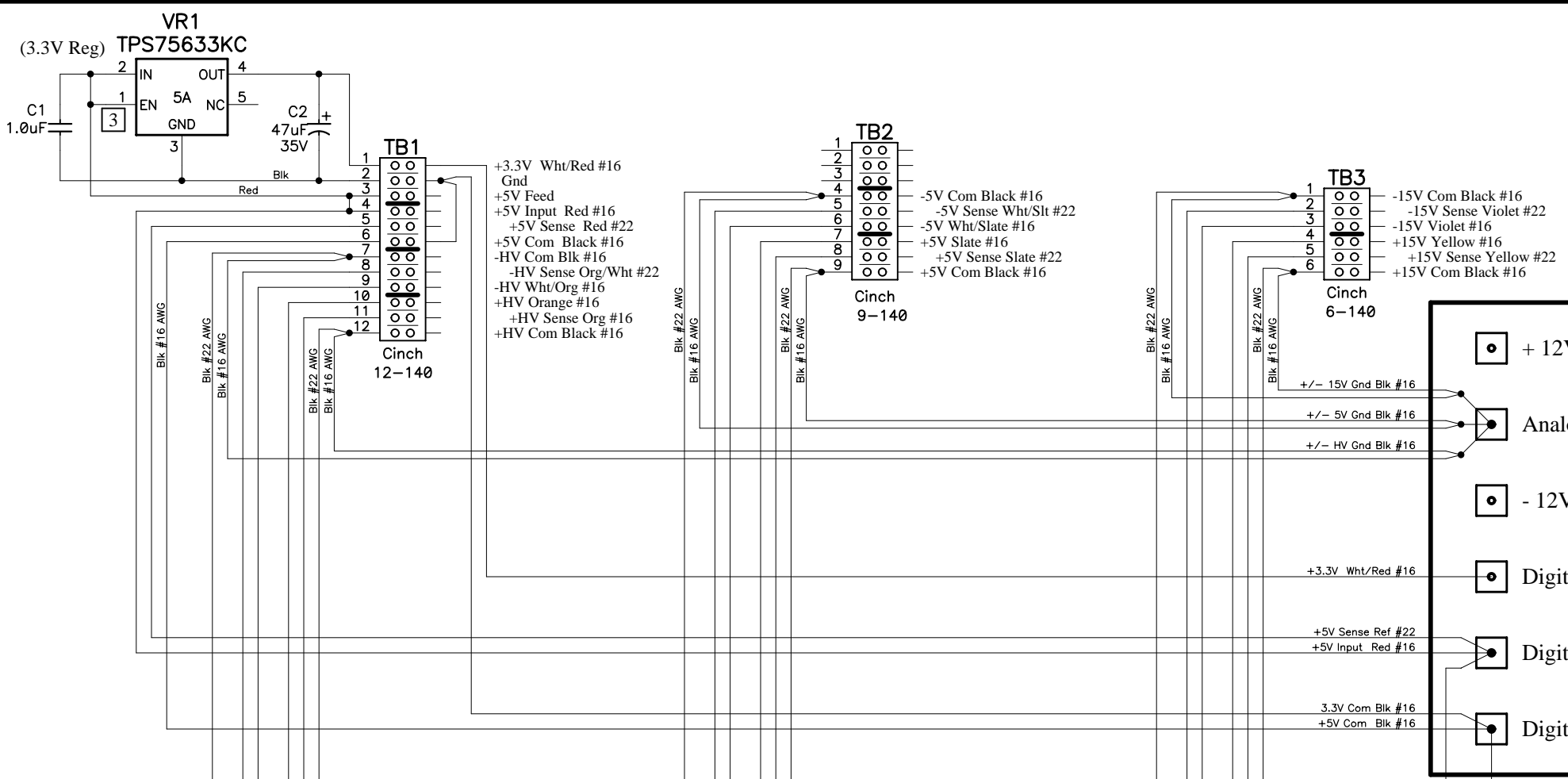
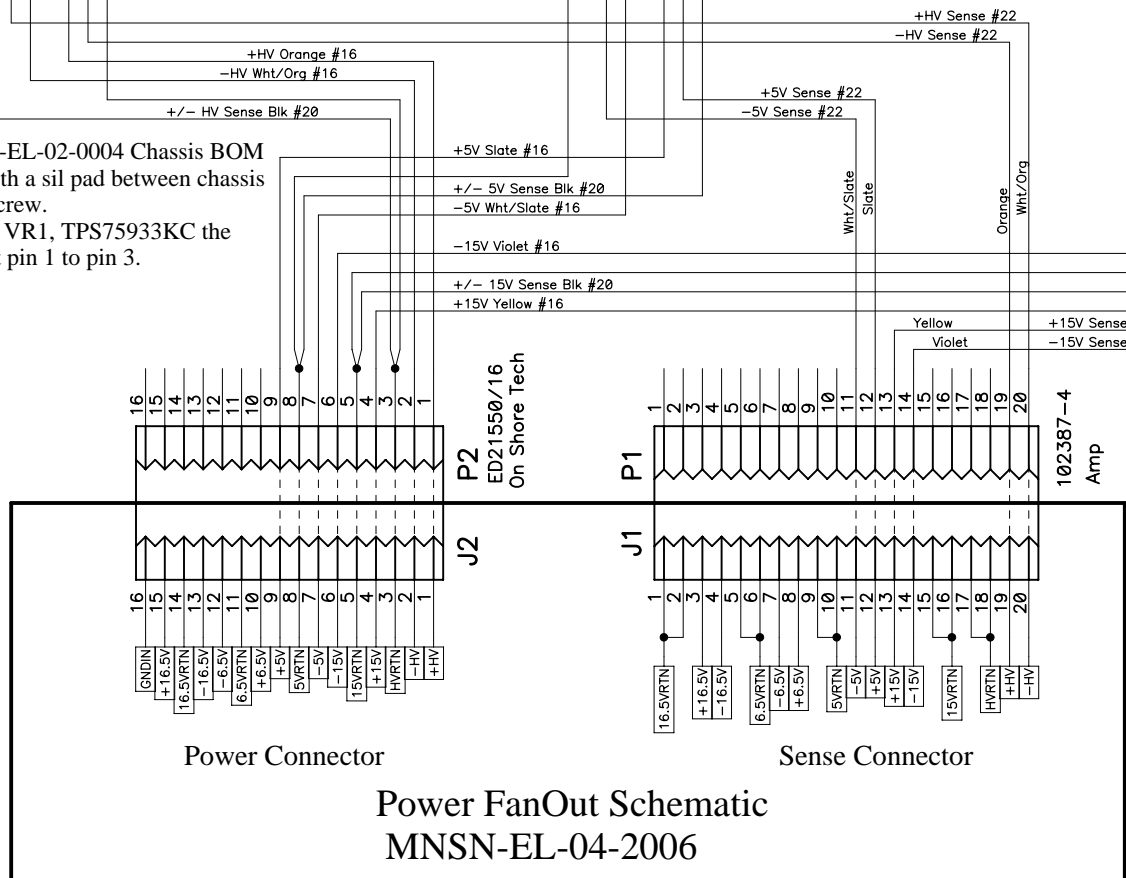


"Monsoon"

DHE BACKPLANE



- NOTES:**
- Reference Drawings: MNSN-EL-02-0004 Chassis BOM
 - VR1 is mounted to chassis with a sil pad between chassis and component and a nylon screw.
 - If using a 7.5 Amp version of VR1, TPS75933KC the enable pin is inverted, connect pin 1 to pin 3.



Power FanOut Schematic
MNSN-EL-04-2006

---	INITIAL RELEASE				
LTR	DESCRIPTION	ECR	DATE	BY	APPVD
REVISIONS					
UNLESS OTHERWISE NOTED Resistors are in ohms 1/4W +-5% Capacitors are in micro farads uF +- 20% Inductors are in micro Henrys uH					
			NATIONAL OPTICAL ASTRONOMY OBSERVATORIES OPERATED BY THE ASSOCIATION OF UNIVERSITIES FOR RESEARCH IN ASTRONOMY UNDER COOPERATIVE AGREEMENT WITH NATIONAL SCIENCE FOUNDATION		
DO NOT SCALE DRAWING		NAME		USED ON	REF
		WIRING DIAGRAM		MONSOON	
NEXT ASSEMBLY MNSN-EL-10-0008-001, 002, 003 MNSN-EL-02-0003		MONSOON DC Power Distribution WITH TBLKS UIUC		DWG SIZE	REV
				B	---
SCALE: None	DESIGNED BY Peter Moore	DATE 9/11/04	CHECKED BY	DATE	DWG NO
DWG PRODUCED USING PCAD 2004	DRAWN BY Dave D.	DATE	APPROVED BY	DATE	MNSN-EL-05-0002
Print Date: Fri Oct 13, 2006		Modified Date: Thu Aug 10, 2006		RELEASED	Sheet 1 of 1