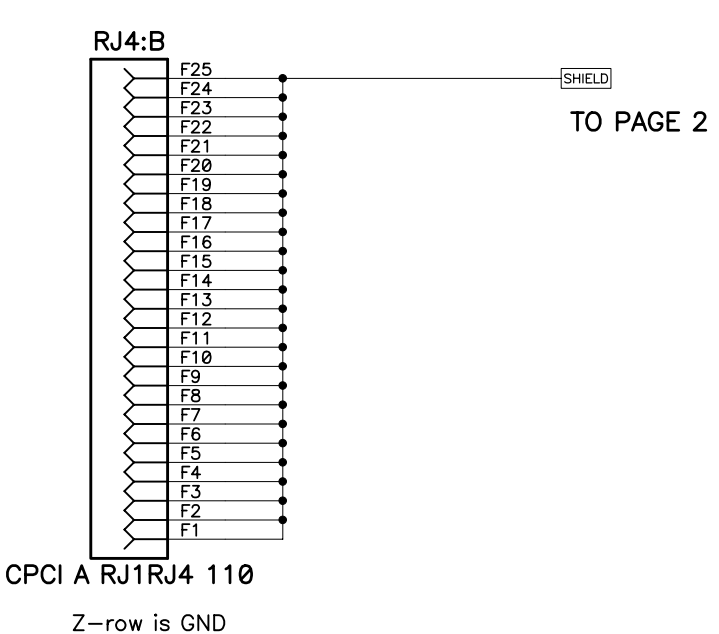
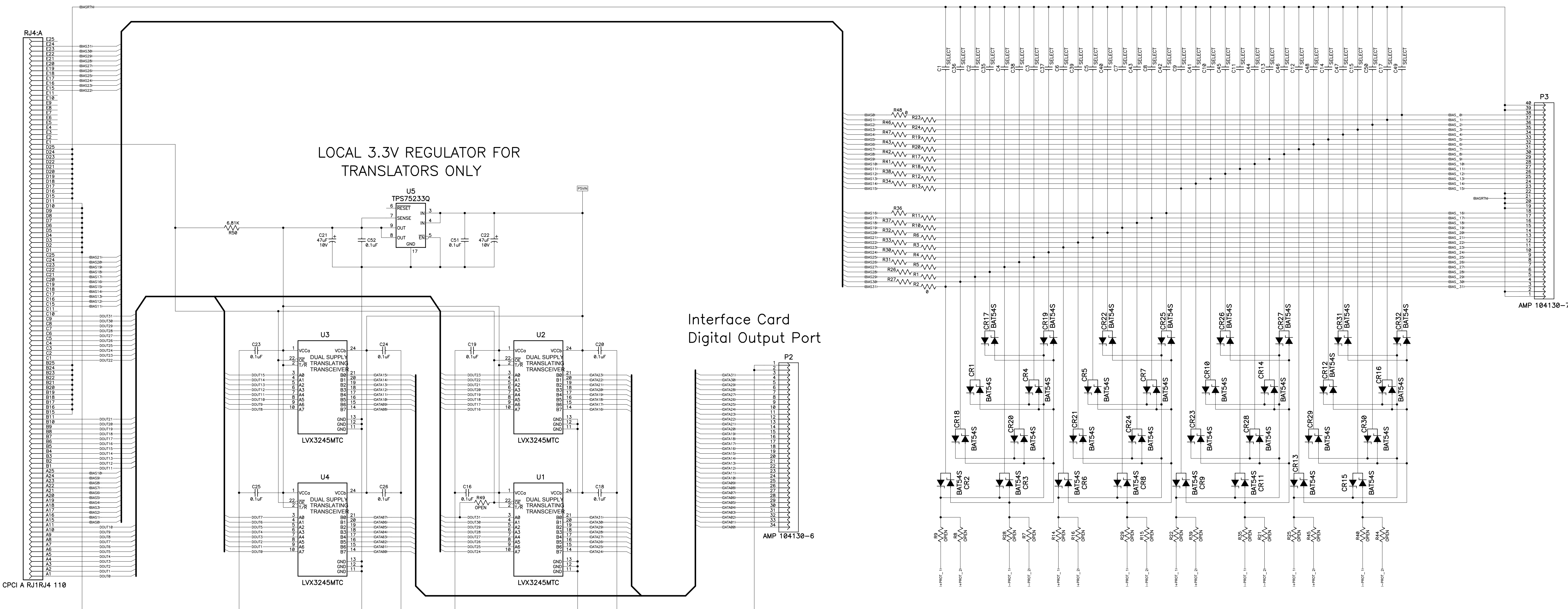


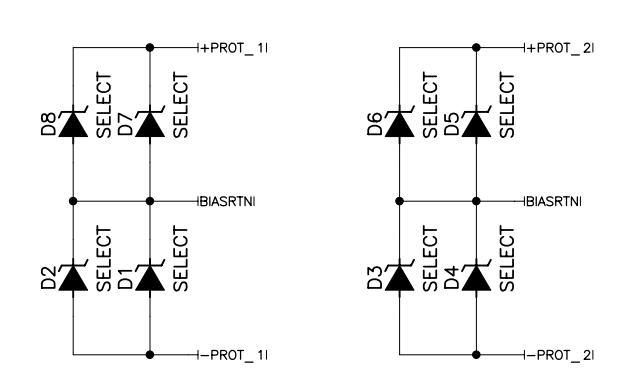
CCD ACQUISITION BOARD  
High Voltage Bias and  
Digital Output Port Outputs

Interface Card  
High Voltage Bias Outputs



TO PAGE 2

PROTECTION DIODES



PROTECTION CLAMPS

UNLESS OTHERWISE NOTED  
Resistors are in Ohms 1/4W ±5%  
Capacitors are in micro Farads uF ±20%  
Inductors are in micro Henrys uH

NATIONAL OPTICAL ASTRONOMY OBSERVATORIES  
OPERATED BY THE  
ASSOCIATION OF UNIVERSITIES FOR RESEARCH IN ASTRONOMY  
UNDER COOPERATIVE AGREEMENT WITH  
NATIONAL SCIENCE FOUNDATION

DO NOT SCALE DRAWING	NAME	USED ON	REF
NEXT ASSEMBLY	SCHEMATIC	MONSOON	
MNSN-EL-04-0009	CCD Acq Transition Board	DWG SIZE	REV
		D	-1

SCALE:	DESIGNED BY	DATE	CHECKED BY	DATE	DWG NO
DWG PRODUCED USING	Peter Moore	21th Sept 2004			
PCAD 2004	DRAWN BY	DATE	APPROVED BY	DATE	
	Peter Moore				
	PRINT ISSUED	DATE	APPROVED BY	DATE	RELEASED

Modified Date: Thu Feb 02, 2006  
Print Date: Thu Feb 02, 2006

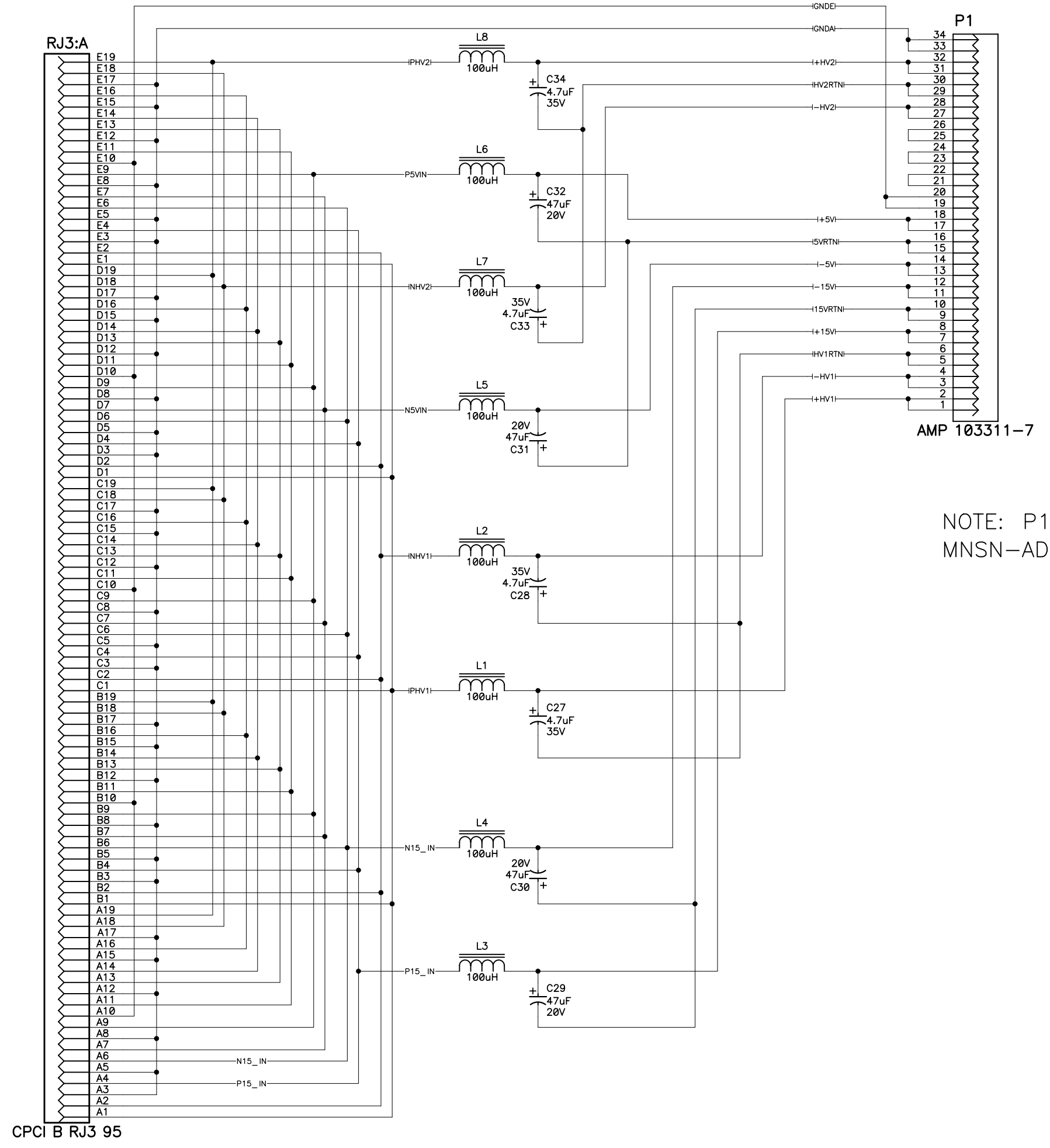
MNSN-EL-04-2009  
Sheet 1 of 2

REVISIONS				
LTR	DESCRIPTION	ECR	DATE	APPVD
-1	move rev table to pg 2, add resistor to P4			dms p.moore

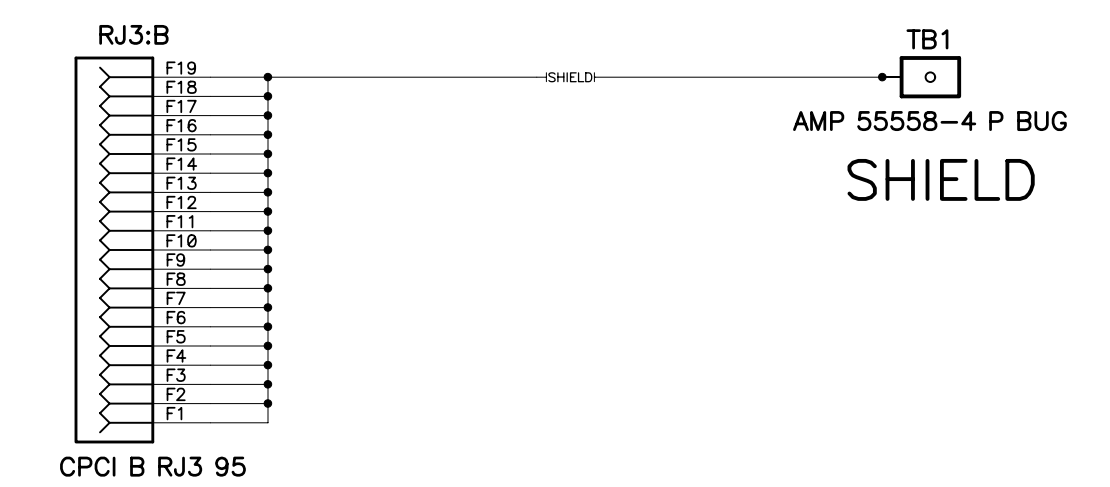
**ANALOG POWER**

CLK & BIAS BOARD  
Power Connector

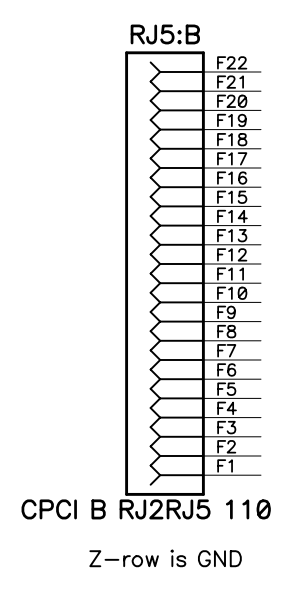
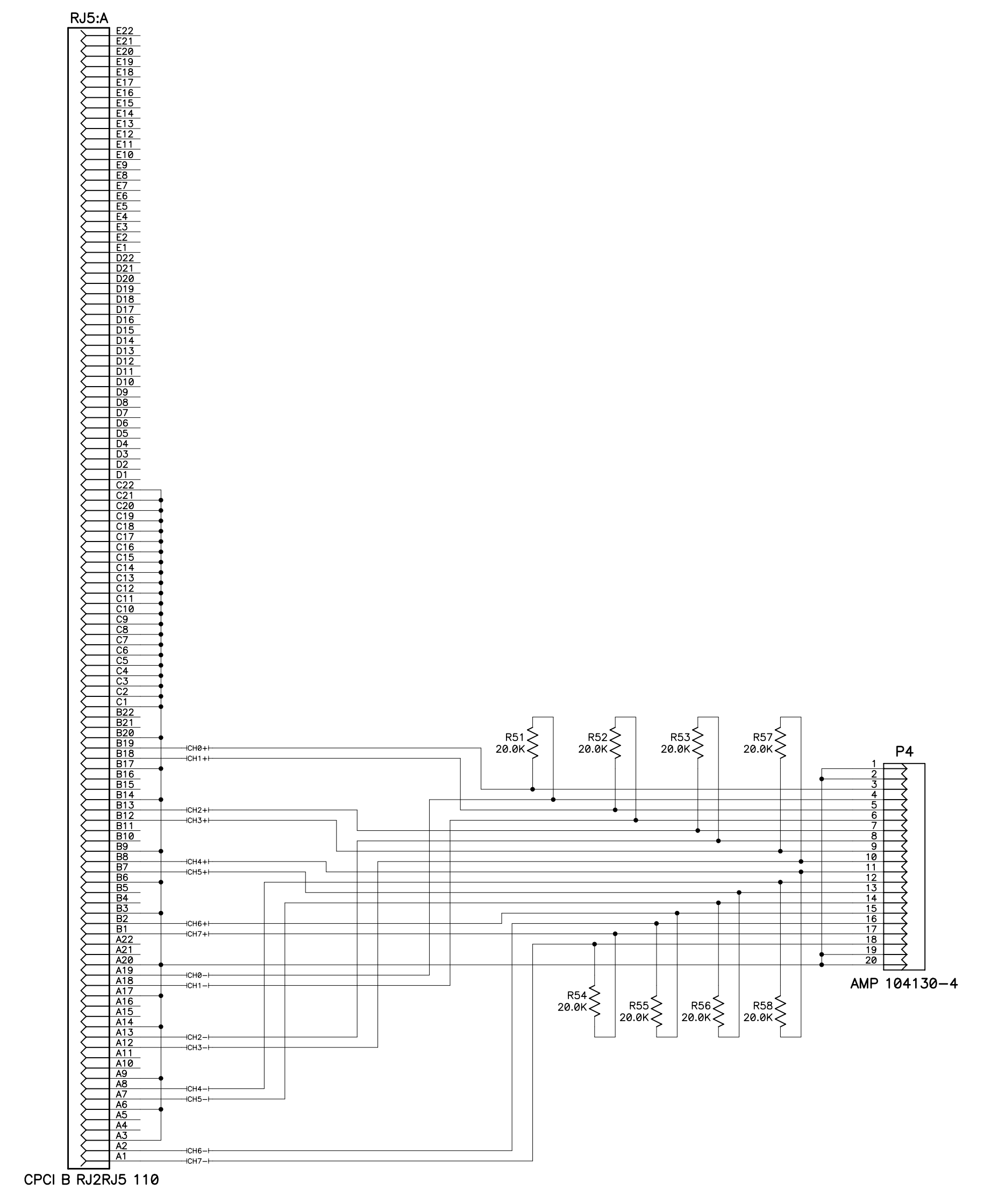
Interface Card  
Power Input



NOTE: P1 HAS A POSITIONAL RESTRICTION SEE DRAWING MNSN-AD-01-0010 FOR PCB CARD DIMENSIONS



CCD ACQUISITION BOARD  
Video inputs



NATIONAL OPTICAL ASTRONOMY OBSERVATORIES			
NAME SCHEMATIC CCD Acq Transition Board			
DWG NO MNSN-EL-04-2009	SIZE D	REF	REV -1
RELEASED		Sheet 2 of 2	

Modified Date: Thu Feb 02, 2006  
Print Date: Thu Feb 02, 2006