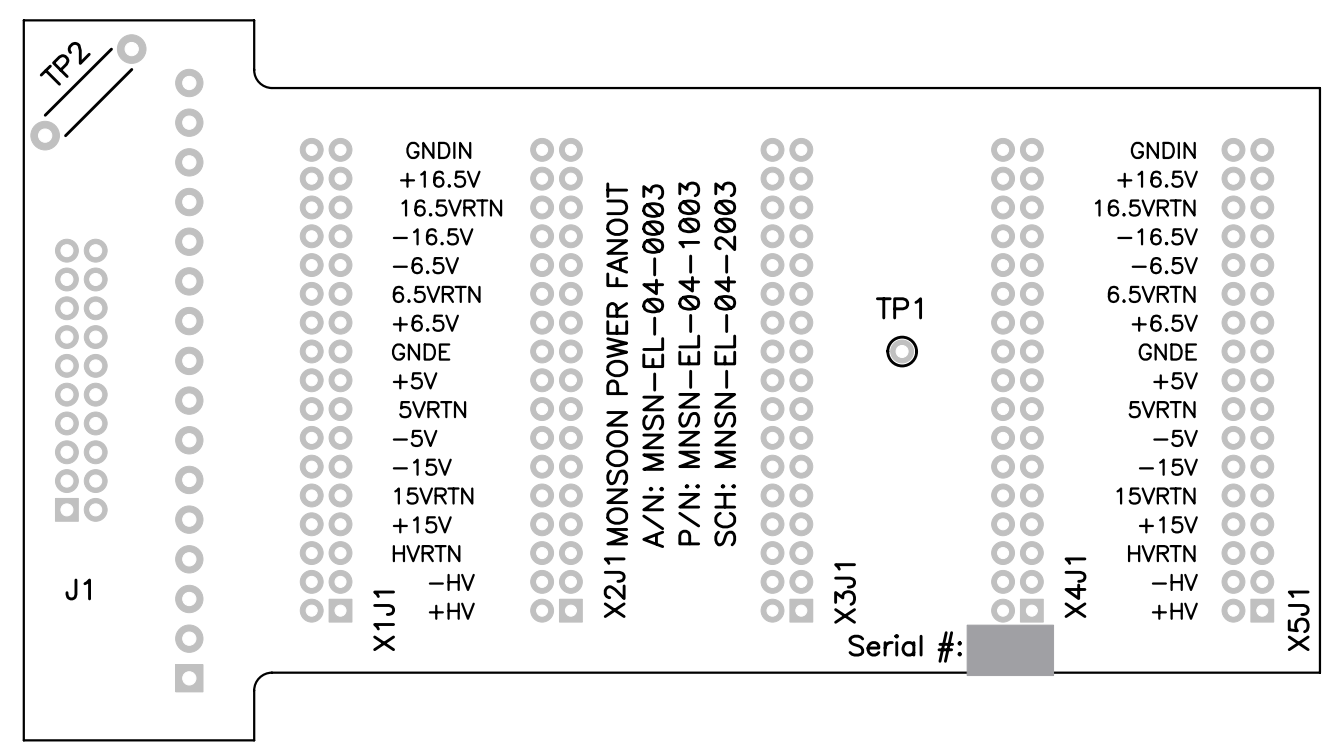
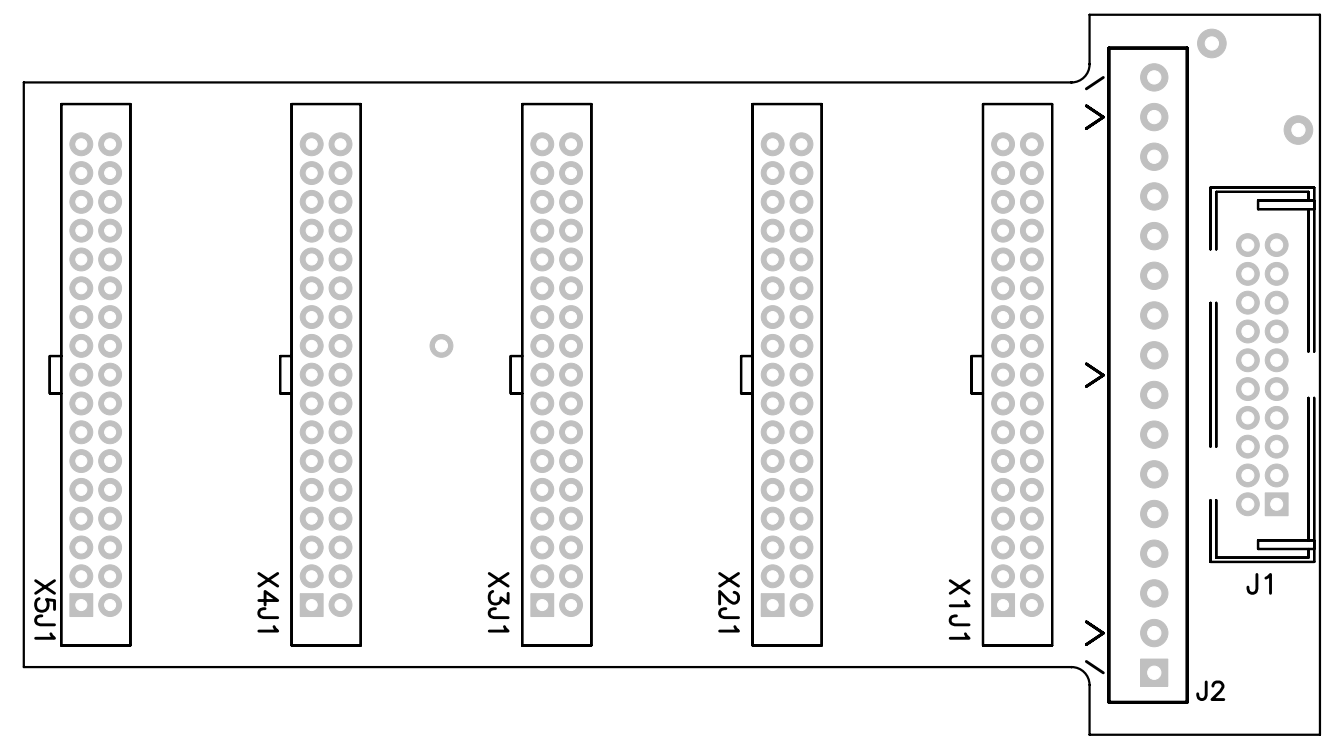


REVISIONS					
ZONE	LTR	REVISIONS	ECR	DATE	BY

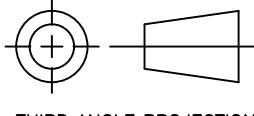


ASSEMBLY
TOP



ASSEMBLY
BOTTOM

BIN	QTY REQ'D	PART OR IDENTIFYING NO	ITEM DESCRIPTION	ITEM NO
	1		Wire, bus 18-20 awg	6
	1	?	TEST POINT	5
	1	EDSTL1555/16	Terminal Strip, 3.5mm 8A 16 pin	4
	1	104128-4	Con, 20 pin .1 ctr walled header vertical latching	3
	5	8534-4500JL	Con, 34 pin .1 ctr keyed socket	2
	1	MNSN-EL-04-1003	PCB Blank, Power Fanout LJ	1

TOLERANCES UNLESS OTHERWISE NOTED .XX ± .03 .XXX ± .010		ANGULAR ±.5°	 THIRD ANGLE PROJECTION		NATIONAL OPTICAL ASTRONOMY OBSERVATORIES <small>OPERATED BY THE ASSOCIATION OF UNIVERSITIES FOR RESEARCH IN ASTRONOMY UNDER COOPERATIVE AGREEMENT WITH NATIONAL SCIENCE FOUNDATION</small>	
DO NOT SCALE DRAWING		NAME ASSEMBLY		USED ON MONSOON	REF	
NEXT ASSEMBLY		MONSOON POWER FANOUT BOARD		DWG SIZE C	REV -	
REFER TO SCHEMATIC MNSN-EL-04-2003		SCALE: FULL	DESIGNED BY P. SCHMITT	DATE FEB 04	CHECKED BY	
DWG PRODUCED USING PCAD 2001		DRAWN BY Dee Stover	DATE 12FEB04	APPROVED BY	DATE	
		DWG NO MNSN-EL-04-0003		RELEASED		
				SHEET	1 OF 1	