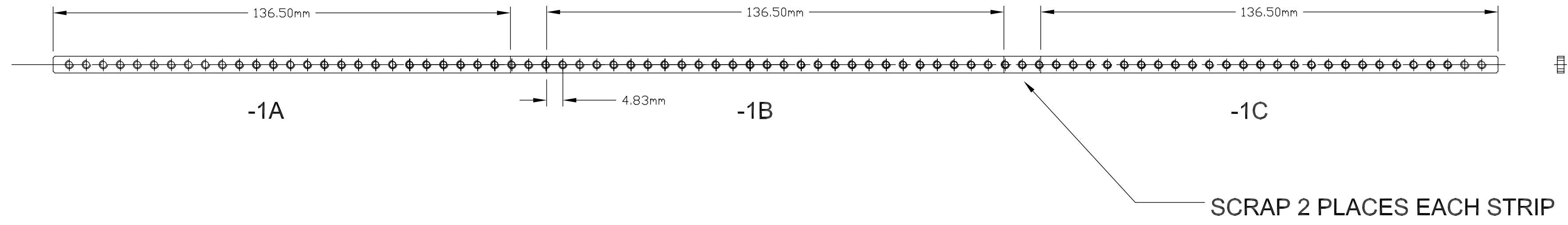
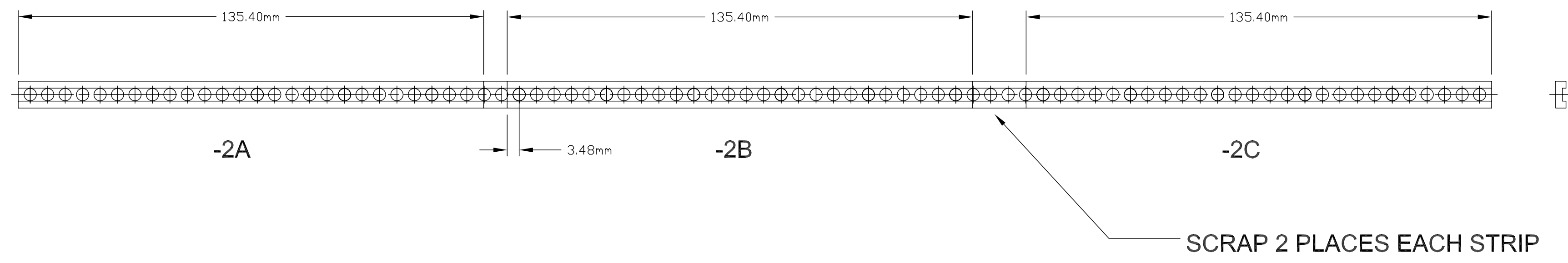


- NOTES:-**
 1. REMOVE ALL BURRS AND SHARP EDGES .030 R MAX.
 2. MACHINED SURFACE ROUGHNESS 125/
 3. MATERIAL – Schroff P/N to the right of each strip

REVISIONS						
ZONE	LTR	REVISIONS	ECR	DATE	BY	APRV
	--	INITIAL RELEASE		JUN06	DMS	PJS
	A	CHANGE STRIP LENGTHS TO FIT 137MM SUBRACK		JUL06	DMS	

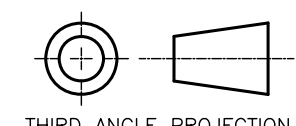


PART-NO: 34561-384 x 6
 YIELD 18 PIECES 136.5 MM LONG



PART-NO: 60817-061 x 2
 YIELD 6 PIECES 135.4 MM LONG

**ALTERED ITEMS FROM
 SCHROFF SUBRACK KIT P/N: 20817-019**

QTY. REQ.	PART OR IDENTIFYING NO.	DESCRIPTION	MATERIAL/SPECIFICATION	IDENT.	ITEM NO.
TOLERANCES UNLESS OTHERWISE NOTED .XX ±.03 .XXX ±.010		 THIRD ANGLE PROJECTION		NATIONAL SOLAR OBSERVATORY <small>OPERATED BY THE</small> ASSOCIATION OF UNIVERSITIES FOR RESEARCH IN ASTRONOMY <small>UNDER COOPERATIVE AGREEMENT WITH</small> NATIONAL SCIENCE FOUNDATION	
DO NOT SCALE DRAWING		NAME	USED ON	REF	
NEXT ASSEMBLY		DETAIL THREADED & INSULATING STRIP MODIFICATIONS	MONSOON	REV	
MNSN-EL-02-0003				DWG SIZE	A
SCALE: FULL	DESIGNED BY P.SCHMITT	DATE JAN05	CHECKED BY	DATE	DWG NO
DWG PRODUCED USING AUTOCAD LT2000	DRAWN BY D.STOVER	DATE JUL06	APPROVED BY	DATE	MNSN-EL-02-1021
	PRINT ISSUED	DATE	APPROVED BY	DATE	
				SHEET 1 OF 1	