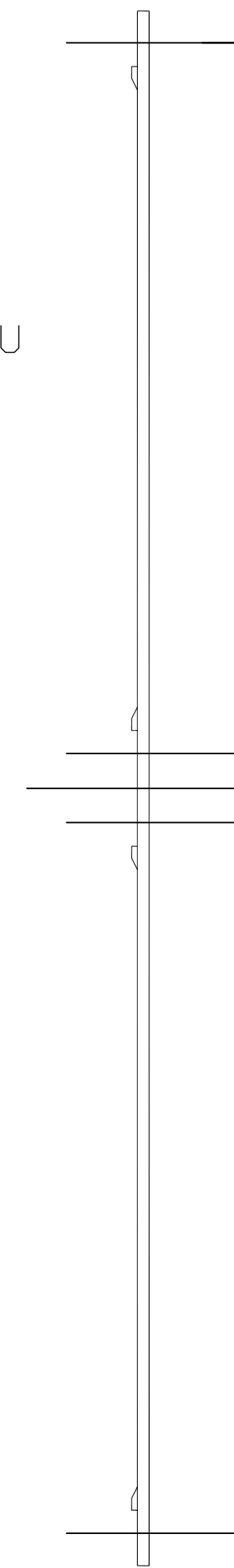
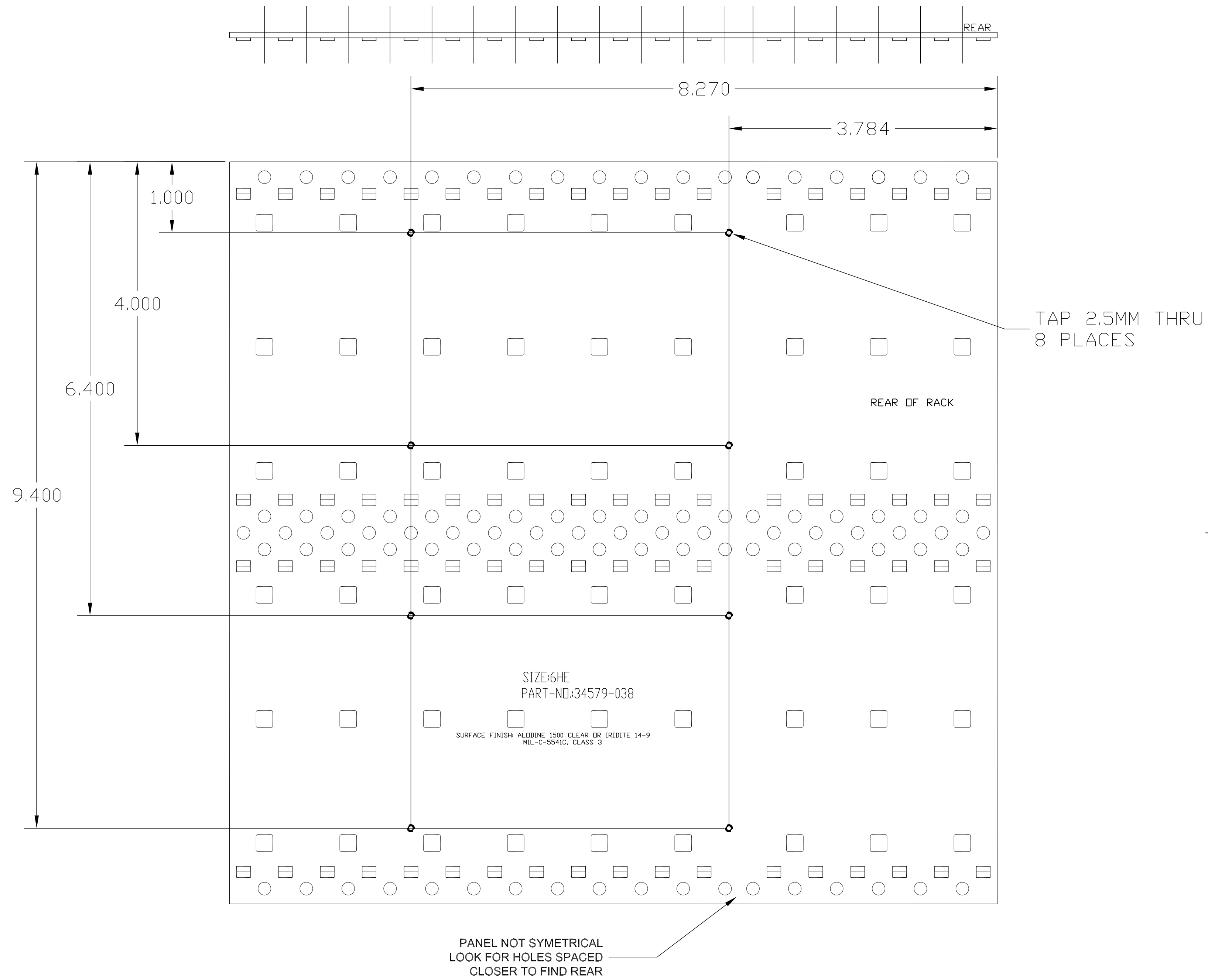


NOTES: UNLESS OTHERWISE SPECIFIED

1. REMOVE ALL BURRS AND SHARP EDGES .030 R MAX.
2. MACHINED SURFACE ROUGHNESS 125
3. MATERIAL - Schroff P/N: 34579-038 Side Panel
4. PROTECTIVE FINISH

REVISIONS						
ZONE	LTR	REVISIONS	ECR	DATE	BY	APRV
	--	INITIAL RELEASE		JUN06	DMS	



ALTERED ITEM
SCHROFF KIT P/N: 20817-019
RACK ENDPLATE P/N: 34579-038

QTY. REQ.	PART OR IDENTIFYING NO.	DESCRIPTION	MATERIAL/SPECIFICATION	IDENT.	ITEM NO.
TOLERANCES UNLESS OTHERWISE NOTED .XX ±.03 .XXX ±.010		 THIRD ANGLE PROJECTION	NATIONAL SOLAR OBSERVATORY <small>OPERATED BY THE</small> ASSOCIATION OF UNIVERSITIES FOR RESEARCH IN ASTRONOMY <small>UNDER COOPERATIVE AGREEMENT WITH</small> NATIONAL SCIENCE FOUNDATION		
DO NOT SCALE DRAWING			NAME	USED ON	REF
NEXT ASSEMBLY MNSN-EL-02-0003		DETAIL RIGHT SIDE PANEL MODIFICATION		MONSOON	REV
SCALE: FULL		DESIGNED BY P.SCHMITT	DATE NOV05	CHECKED BY	DATE
DWG PRODUCED USING AUTOCAD LT2000		DRAWN BY D.STOVER	DATE JUN06	APPROVED BY	DATE
		PRINT ISSUED	DATE	APPROVED BY	DATE
DWG NO MNSN-EL-02-1019				RELEASED	SHEET 1 OF 1