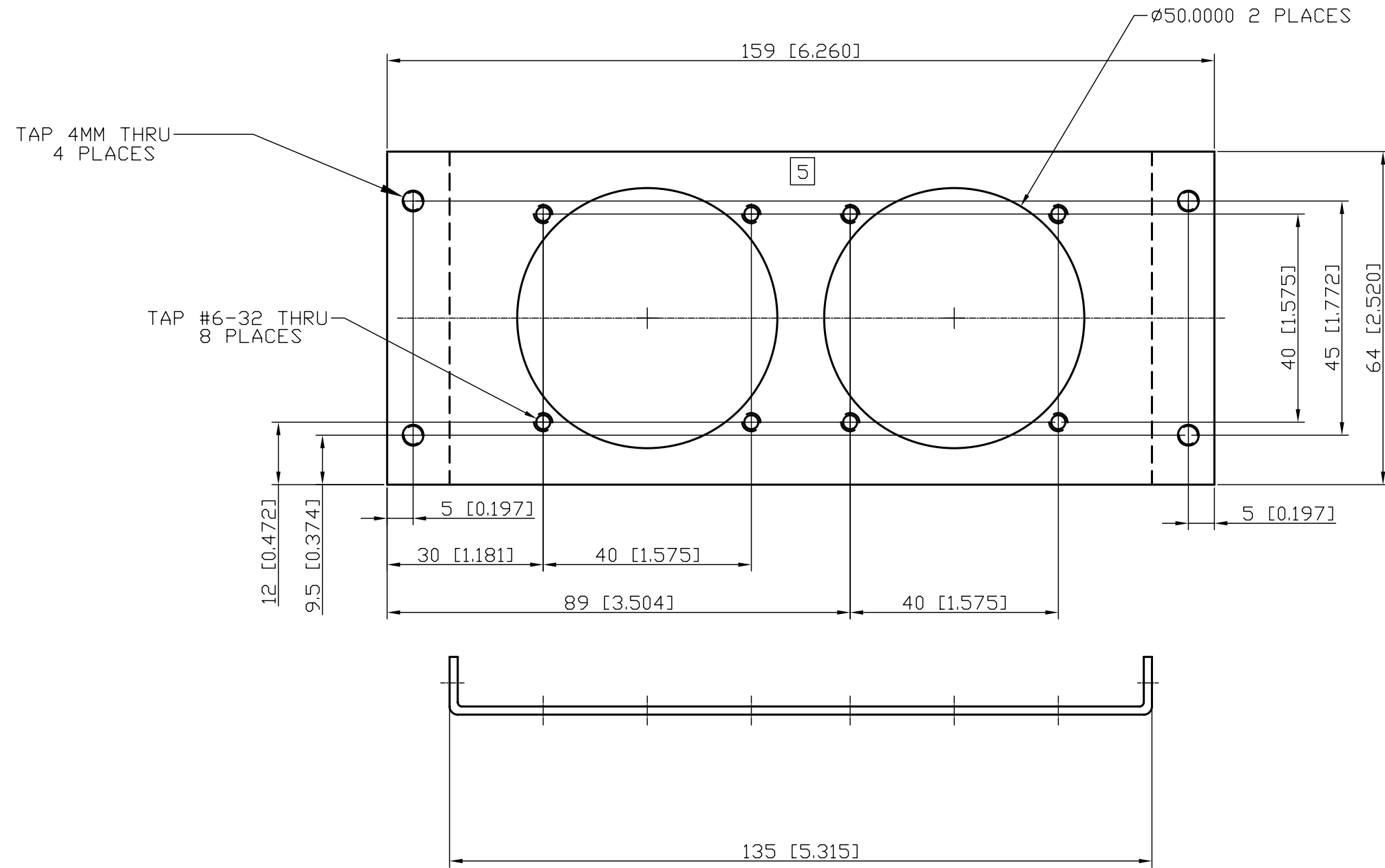
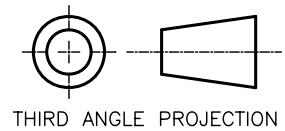


NOTES:

1. REMOVE ALL BURRS AND SHARP EDGES .030 R MAX.
2. MACHINED SURFACE ROUGHNESS 125
3. MATERIAL - .062 ALUMINUM 6061-T6
4. FINISH - CLEAR ANODIZE
5. ENGRAVE PART NO 1/8-3/16 HIGH WHERE INDICATED THUS: 5

REVISIONS						
ZONE	LTR	REVISIONS	ECR	DATE	BY	APRV
	--	INITIAL RELEASE		JUN06	DMS	



QTY REQ'D	PART OR IDENTIFYING NO	ITEM DESCRIPTION			ITEM NO
TOLERANCES UNLESS OTHERWISE NOTED .XX ±.03 ANGULAR .XXX ±.010 ±.5°		 THIRD ANGLE PROJECTION		NATIONAL OPTICAL ASTRONOMY OBSERVATORIES OPERATED BY THE ASSOCIATION OF UNIVERSITIES FOR RESEARCH IN ASTRONOMY UNDER COOPERATIVE AGREEMENT WITH NATIONAL SCIENCE FOUNDATION	
DO NOT SCALE DRAWING		NAME		USED ON	
NEXT ASSEMBLY		DETAIL MOUNTNG BRACKET DUAL FAN		MONSOON	
MNSN-EL-02-0003				DWG SIZE	REV
				C	--
SCALE: 1/1	DESIGNED BY	DATE	CHECKED BY	DATE	DWG NO
DWG PRODUCED USING	DRAWN BY	DATE	APPROVED BY	DATE	MNSN-EL-02-1017
ACADLT 2000	DMS	JUN06			
	PRINT ISSUED	DATE	APPROVED BY	DATE	RELEASED
					SHEET 1 OF 1