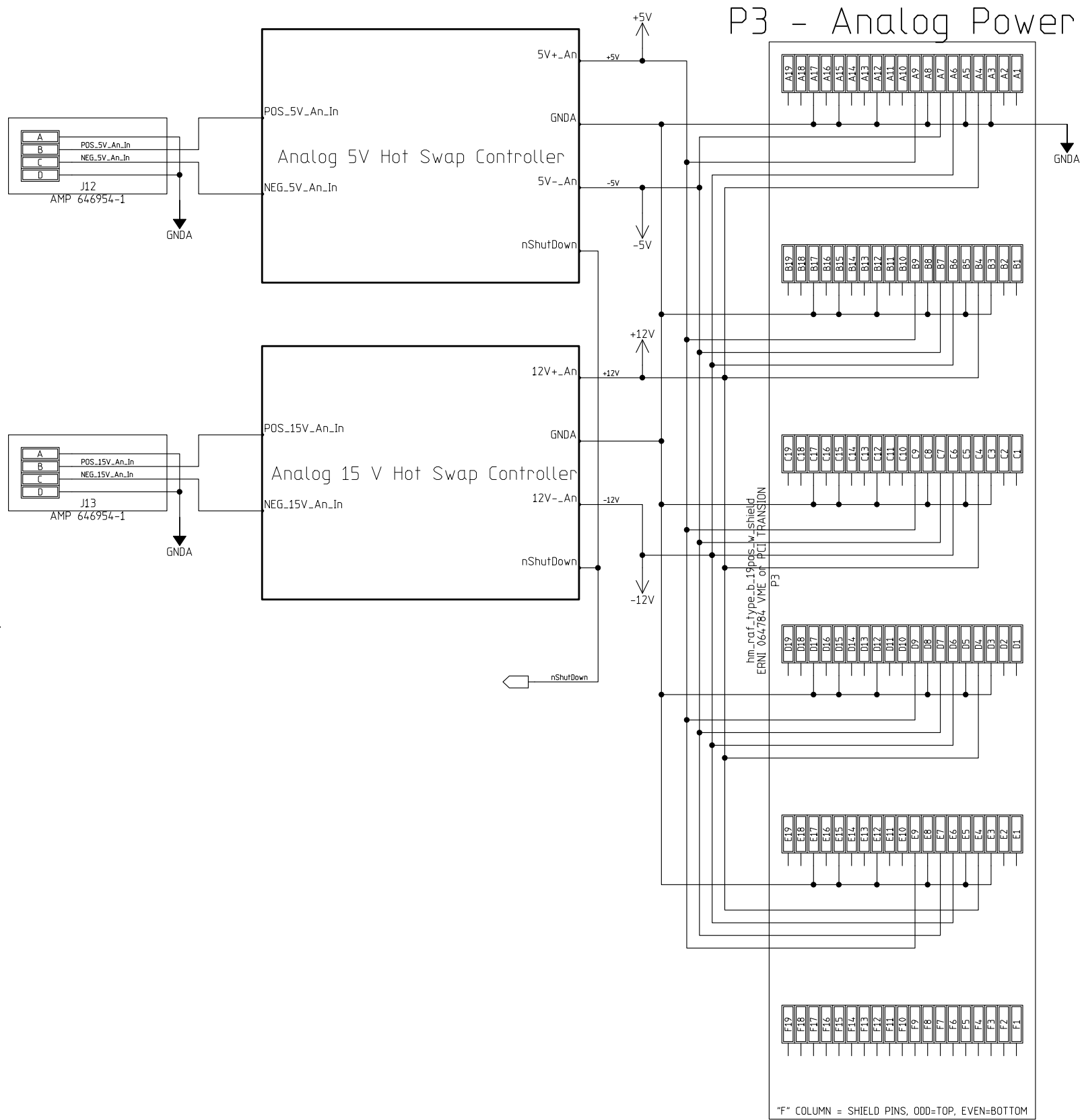



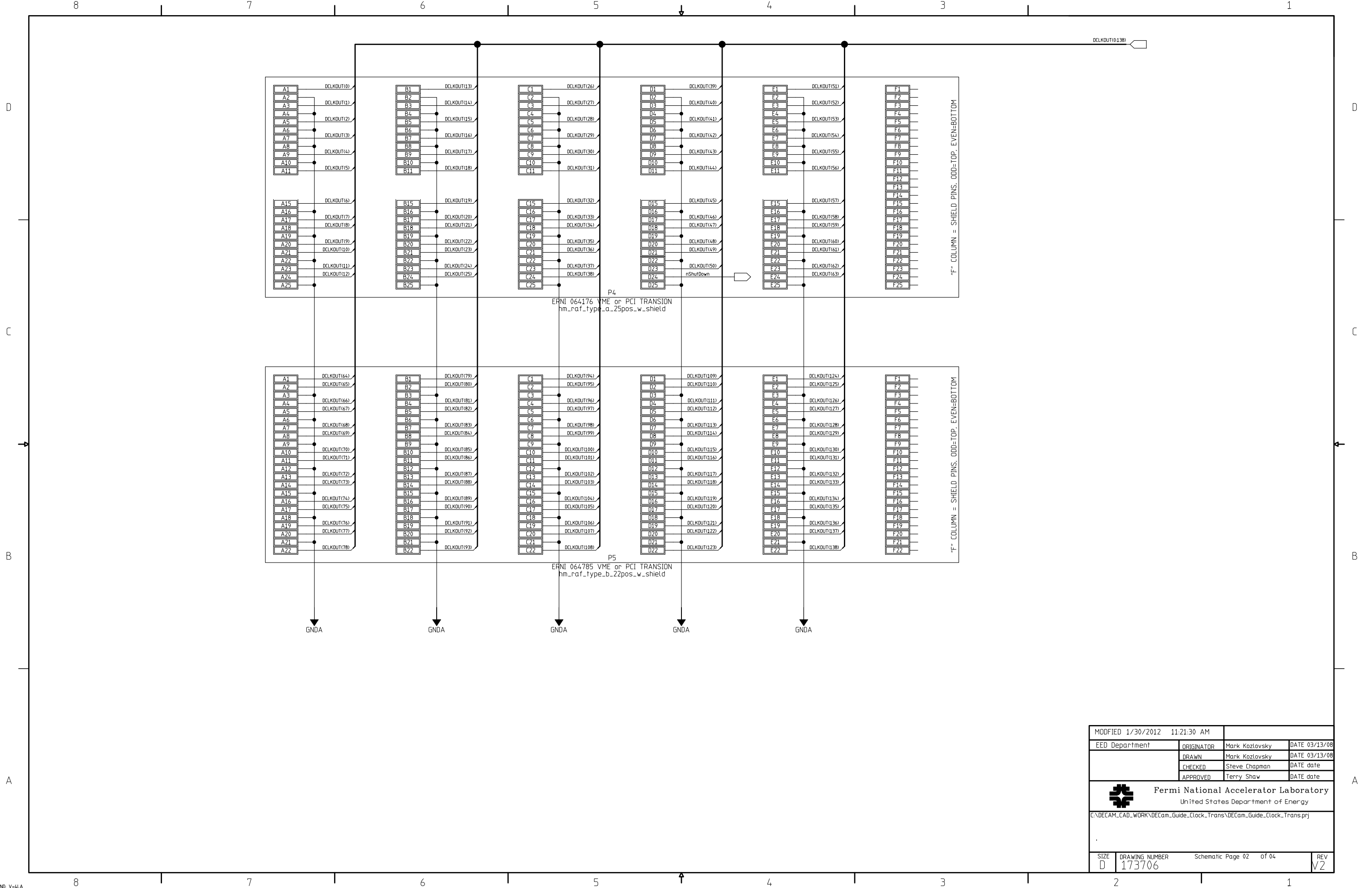
Power Backplane Connectors


P3 - Analog Power



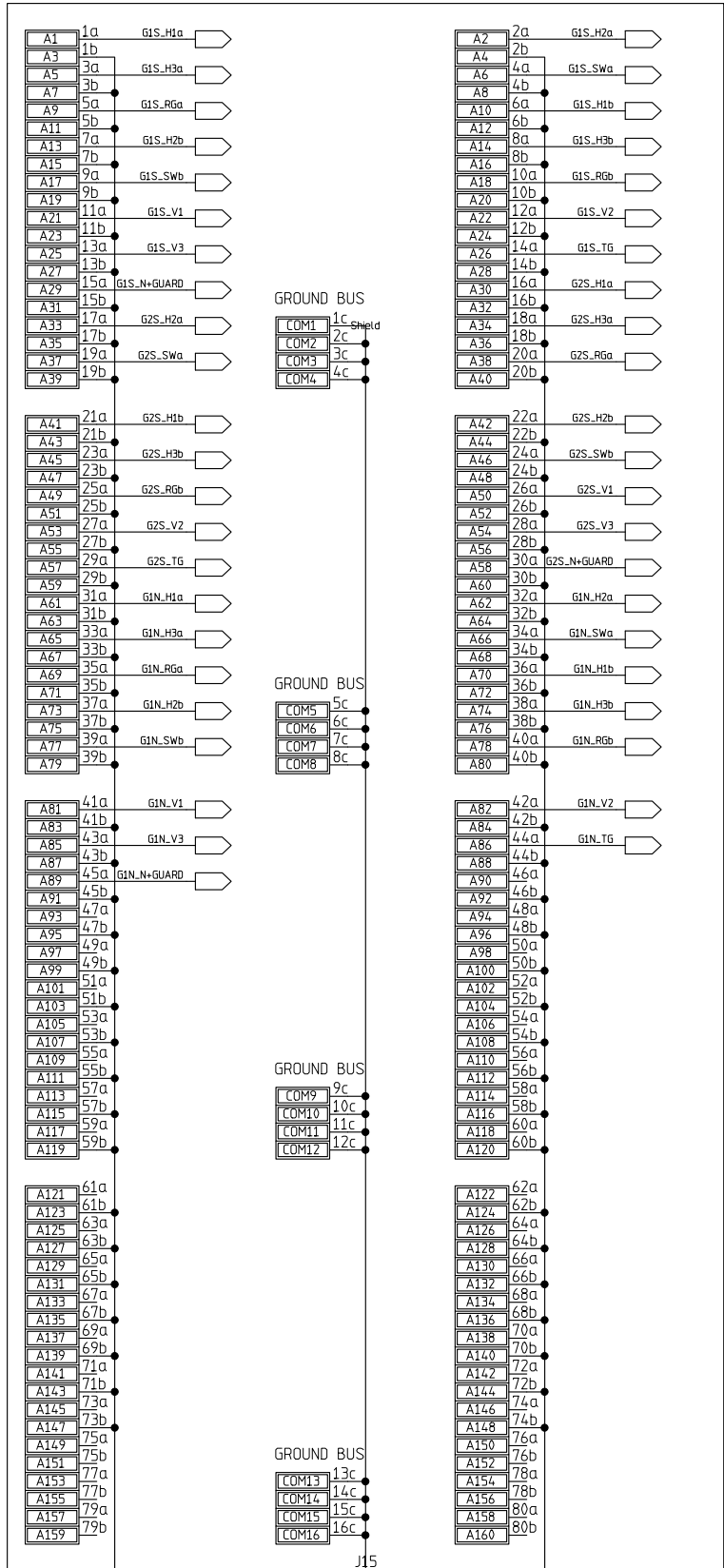
"F" COLUMN = SHIELD PINS, ODD=TOP, EVEN=BOTTOM

MODIFIED 1/30/2012 11:21:30 AM			
EED Department	ORIGINATOR	Mark Kozlovsky	DATE 03/13/08
	DRAWN	Mark Kozlovsky	DATE 03/13/08
	CHECKED	Steve Chapman	DATE date
	APPROVED	Terry Shaw	DATE date
 Fermi National Accelerator Laboratory United States Department of Energy			
C:\DECAM_CAD_WORK\DECam_Guide_Clock_Trans\DECam_Guide_Clock_Trans.prj			
SIZE	DRAWING NUMBER	Schematic Page 01 of 04	REV
D	173706		V2

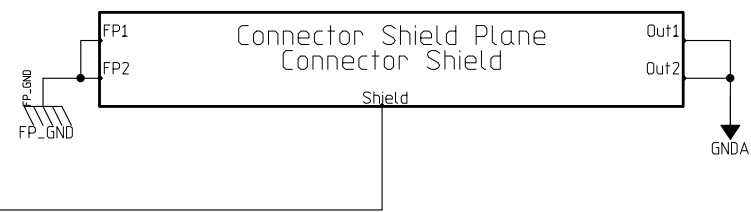


MODIFIED 1/30/2012 11:21:30 AM			
EED Department	ORIGINATOR	Mark Kozlovsky	DATE 03/13/08
	DRAWN	Mark Kozlovsky	DATE 03/13/08
	CHECKED	Steve Chapman	DATE date
	APPROVED	Terry Shaw	DATE date
 Fermi National Accelerator Laboratory United States Department of Energy			
C:\DECAM_CAD_WORK\DECam_Guide_Clock_Trans\DECam_Guide_Clock_Trans.prj			
SIZE	DRAWING NUMBER	Schematic Page 02 of 04	REV
D	173706		V2

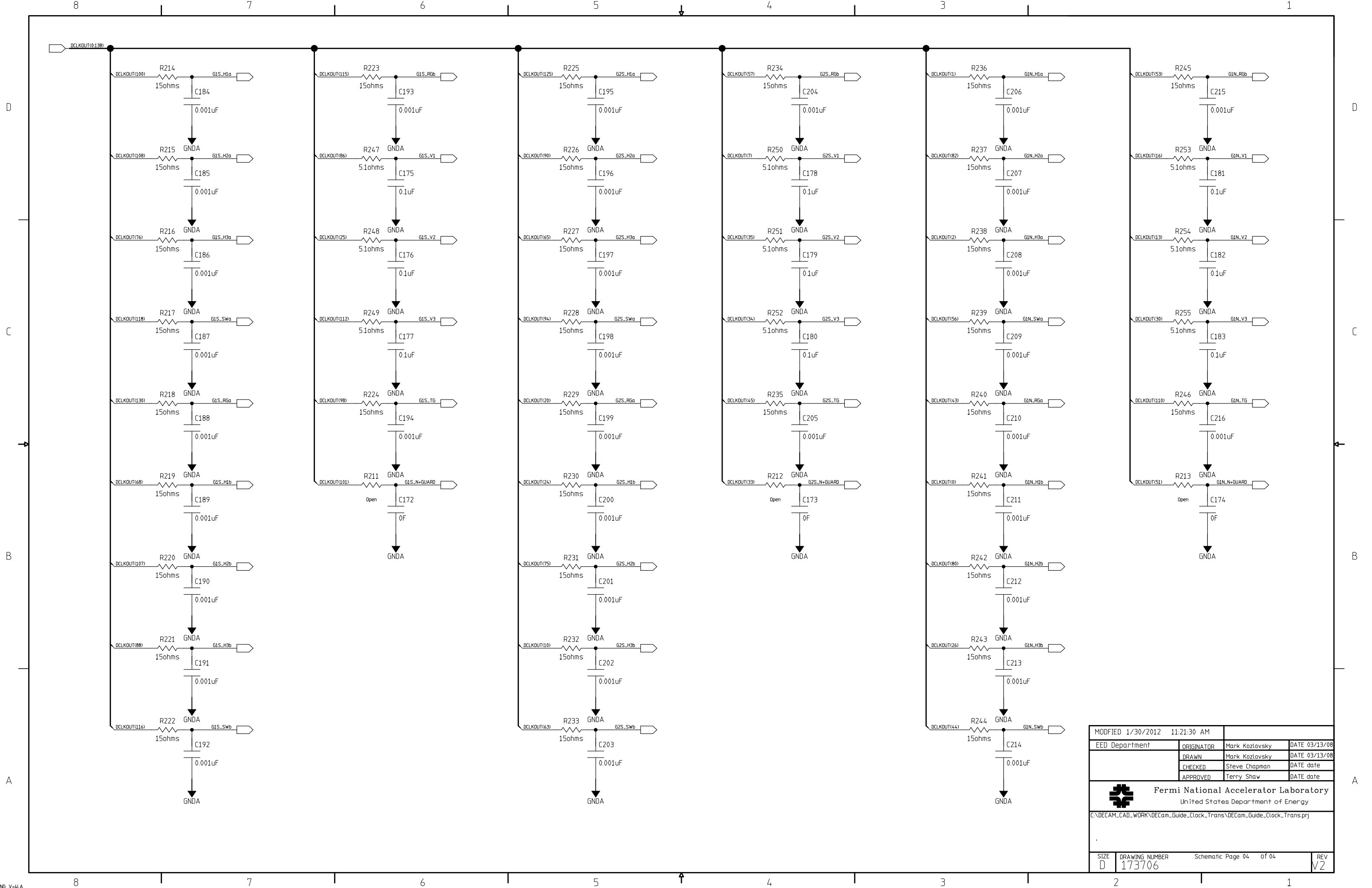
Socket .5mm Diff-Pairs




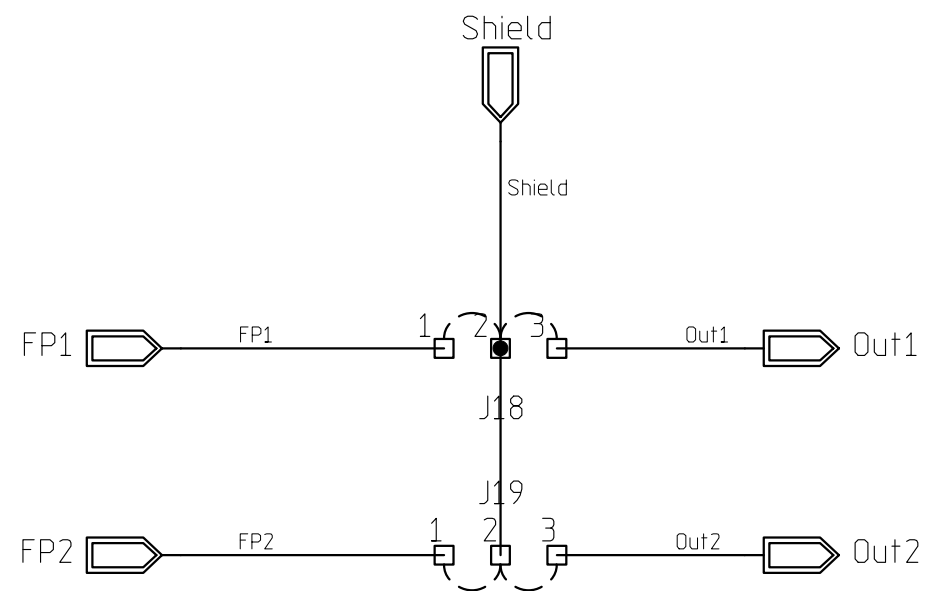
SAMTEC_QSH-080-01-L-D-DP-A_DES
80 Pairs SMD, PCB Cable Conn. Outline



MODIFIED 1/30/2012 11:21:30 AM			
EED Department	ORIGINATOR	Mark Kozlovsky	DATE 03/13/08
	DRAWN	Mark Kozlovsky	DATE 03/13/08
	CHECKED	Steve Chapman	DATE date
	APPROVED	Terry Shaw	DATE date
 Fermi National Accelerator Laboratory United States Department of Energy			
C:\DECAM_CAD_WORK\DECam_Guide_Clock_Trans\DECam_Guide_Clock_Trans.prj			
SIZE	DRAWING NUMBER	Schematic Page 03 of 04	REV
D	173706		V2



MODIFIED 1/30/2012 11:21:30 AM			
EED Department	ORIGINATOR	Mark Kozlovsky	DATE 03/13/08
	DRAWN	Mark Kozlovsky	DATE 03/13/08
	CHECKED	Steve Chapman	DATE date
	APPROVED	Terry Shaw	DATE date
 Fermi National Accelerator Laboratory United States Department of Energy			
C:\DECAM_CAD_WORK\DECam_Guide_Clock_Trans\DECam_Guide_Clock_Trans.prj			
SIZE	DRAWING NUMBER	Schematic Page 04 of 04	REV
D	173706		V2



MODIFIED 2/2/2012 4:21:50 PM			
EED Department	ORIGINATOR	Mark Kozlovsky	DATE 03/13/08
	DRAWN	Mark Kozlovsky	DATE 03/13/08
	CHECKED	Steve Chapman	DATE date
	APPROVED	Terry Shaw	DATE date

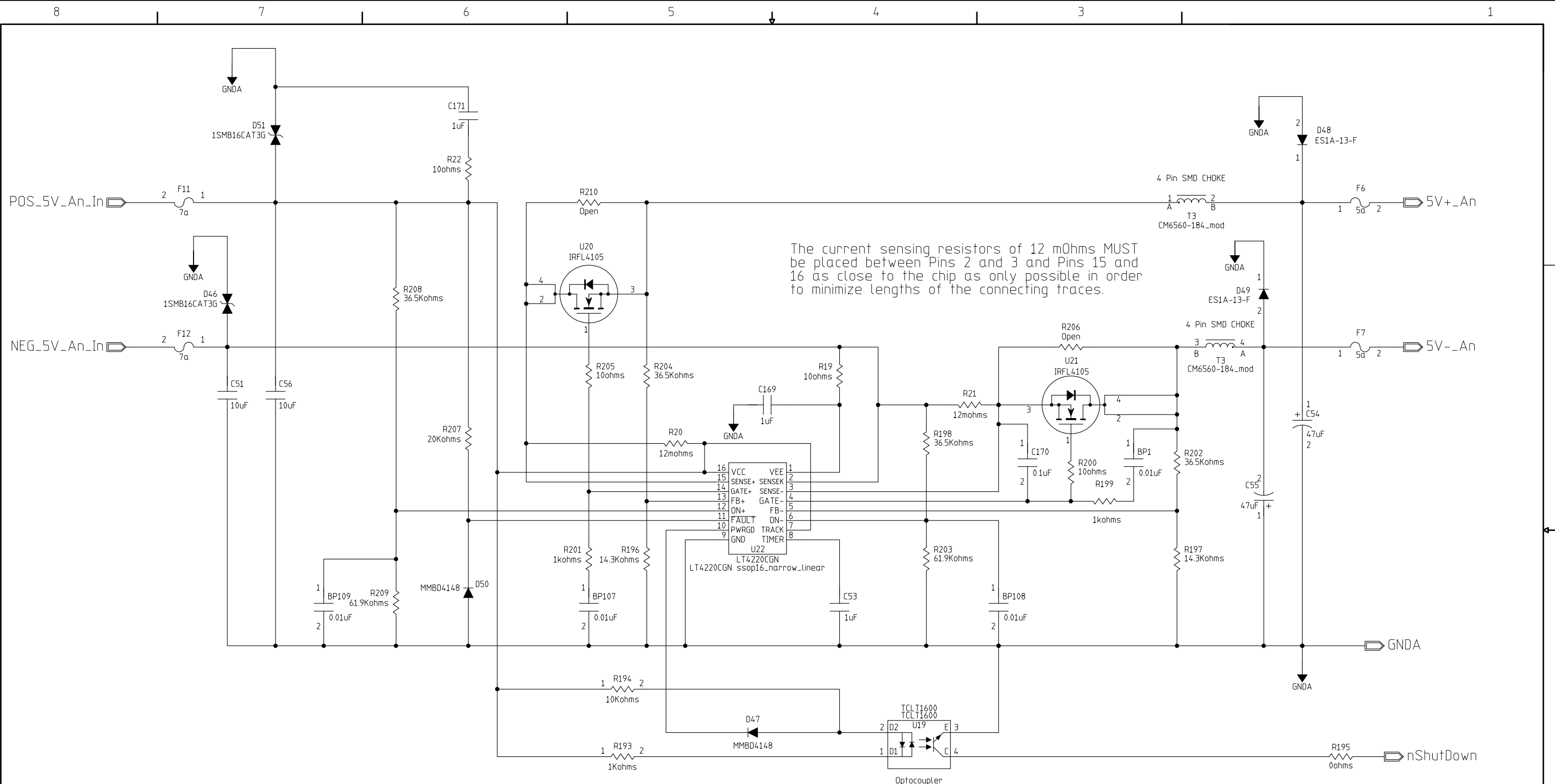


Fermi National Accelerator Laboratory
United States Department of Energy

C:\DECAM_CAD_WORK\DECam_Guide_Clock_Trans\DECam_Guide_Clock_Trans.prj


12-Channel DECam Transition Board
Front Panel Connector Shield

SIZE	DRAWING NUMBER	Schematic Page 01 of 01	REV
B	173706		N2



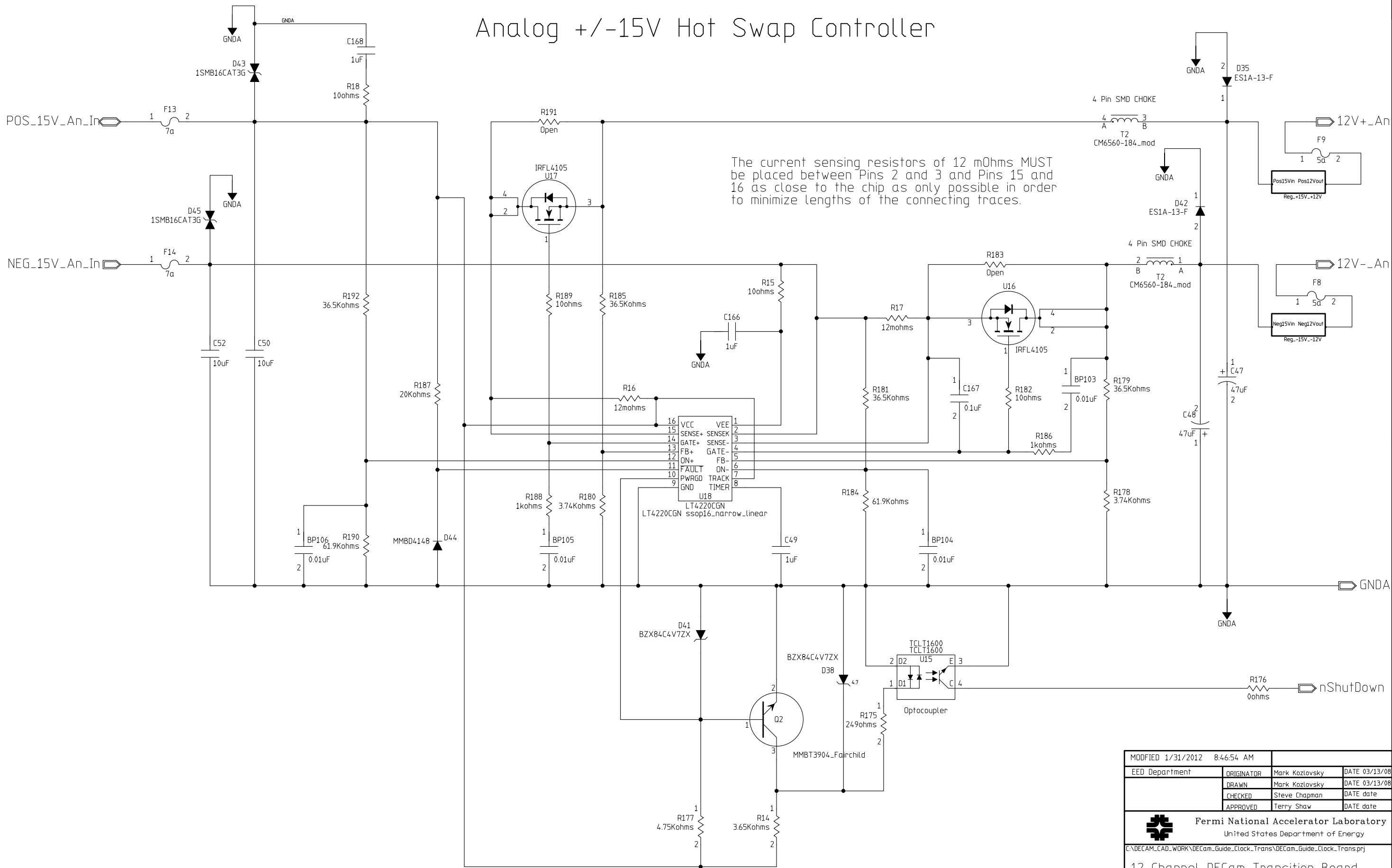
The current sensing resistors of 12 mOhms MUST be placed between Pins 2 and 3 and Pins 15 and 16 as close to the chip as only possible in order to minimize lengths of the connecting traces.

Analog +/-5V Hot Swap Controller

MODIFIED 1/30/2012 9:29:23 AM			
EED Department	ORIGINATOR	Mark Kozlovsky	DATE 03/13/08
	DRAWN	Mark Kozlovsky	DATE 03/13/08
	CHECKED	Steve Chapman	DATE date
	APPROVED	Terry Shaw	DATE date
 Fermi National Accelerator Laboratory United States Department of Energy			
C:\DECAM_CAD_WORK\DECam_Guide_Clock_Trans\DECam_Guide_Clock_Trans.prj			
12-Channel DECam Transition Board Analog +/- 5V Hot Swap Controller			
SIZE	DRAWING NUMBER	Schematic Page 01 of 01	REV
D	173706		V2

Analog +/-15V Hot Swap Controller

The current sensing resistors of 12 mOhms MUST be placed between Pins 2 and 3 and Pins 15 and 16 as close to the chip as only possible in order to minimize lengths of the connecting traces.



MODIFIED 1/31/2012 8:46:54 AM			
EED Department	ORIGINATOR	Mark Kozlovsky	DATE 03/13/08
	DRAWN	Mark Kozlovsky	DATE 03/13/08
	CHECKED	Steve Chapman	DATE date
	APPROVED	Terry Shaw	DATE date

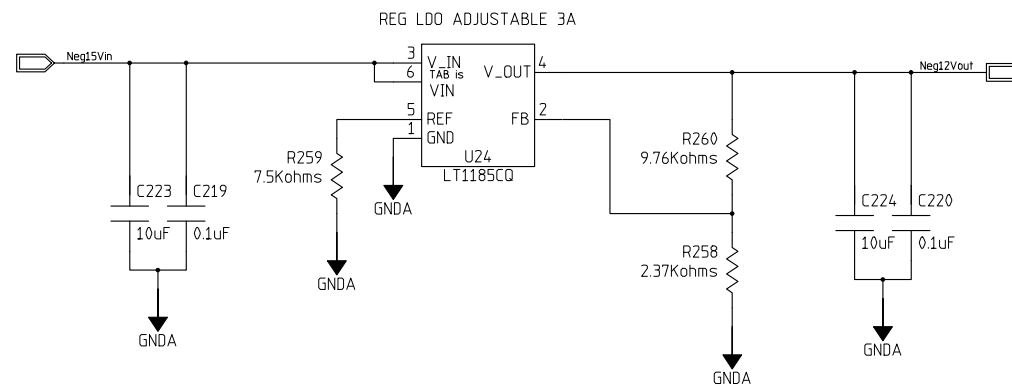
Fermi National Accelerator Laboratory
United States Department of Energy


C:\DECAM_CAD_WORK\DECam_Guide_Clock_Trans\DECam_Guide_Clock_Trans.prj

12-Channel DECam Transition Board
Analog +/- 15V Hot Swap Controller

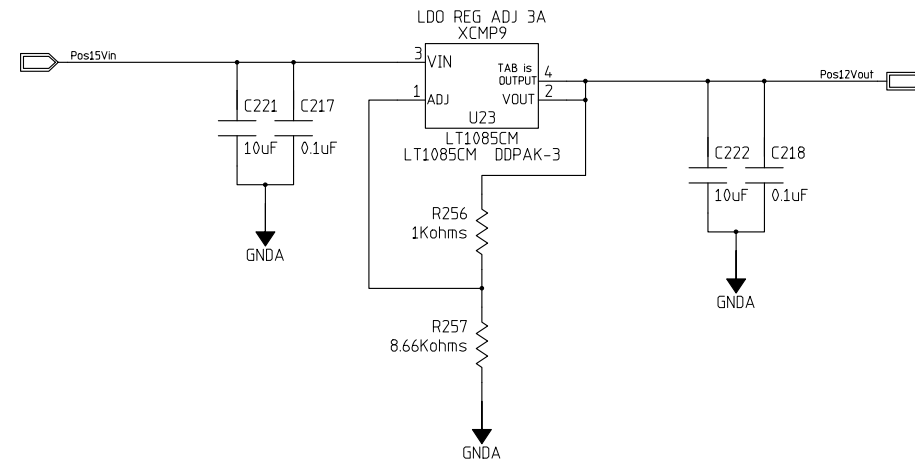
SIZE	DRAWING NUMBER	Schematic Page 01	of 01	REV
D	173706			V2


C223 and C224 changed to 10uF Tantalums
 Nichicon F971E106MNC CAP TANT 10UF 25V 20% 2917



MODIFIED 1/31/2012 8:46:48 AM			
EED Department	ORIGINATOR	Mark Kozlovsky	DATE 03/13/08
	DRAWN	Mark Kozlovsky	DATE 03/13/08
	CHECKED	Steve Chapman	DATE date
	APPROVED	Terry Shaw	DATE date
 Fermi National Accelerator Laboratory United States Department of Energy			
C:\DECAM_CAD_WORK\DECam_Guide_Clock_Trans\DECam_Guide_Clock_Trans.prj			
SIZE	DRAWING NUMBER	Schematic Page 01 of 01	REV
D	173706		V2

C221 and C222 changed to 10uF Tantalums
 Nichicon F971E106MNC CAP TANT 10UF 25V 20% 2917



MODIFIED 1/30/2012 11:00:58 AM			
EED Department	ORIGINATOR	Mark Kozlovsky	DATE 03/13/08
	DRAWN	Mark Kozlovsky	DATE 03/13/08
	CHECKED	Steve Chapman	DATE date
	APPROVED	Terry Shaw	DATE date
 Fermi National Accelerator Laboratory United States Department of Energy			
C:\DECAM_CAD_WORK\DECam_Guide_Clock_Trans\DECam_Guide_Clock_Trans.prj			
SIZE	DRAWING NUMBER	Schematic Page 01 of 01	REV
D	173706		V2