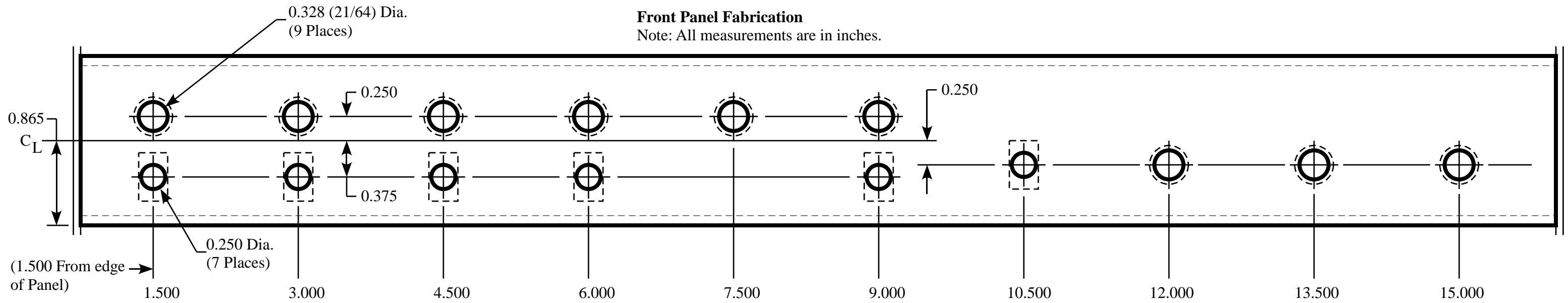
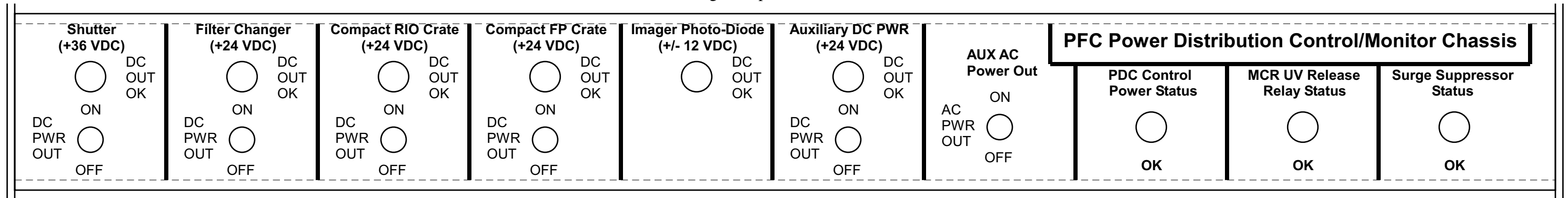


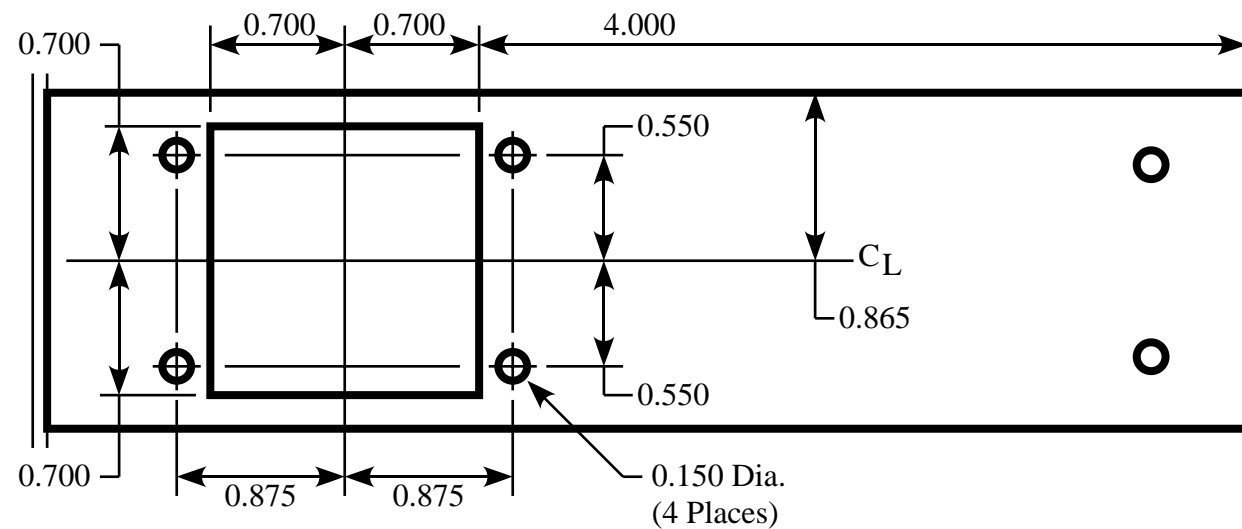
Note: Connections to terminal blocks use ring terminals, Panduit PV18-6R-CY
Note: All terminal block wiring is 22-AWG.



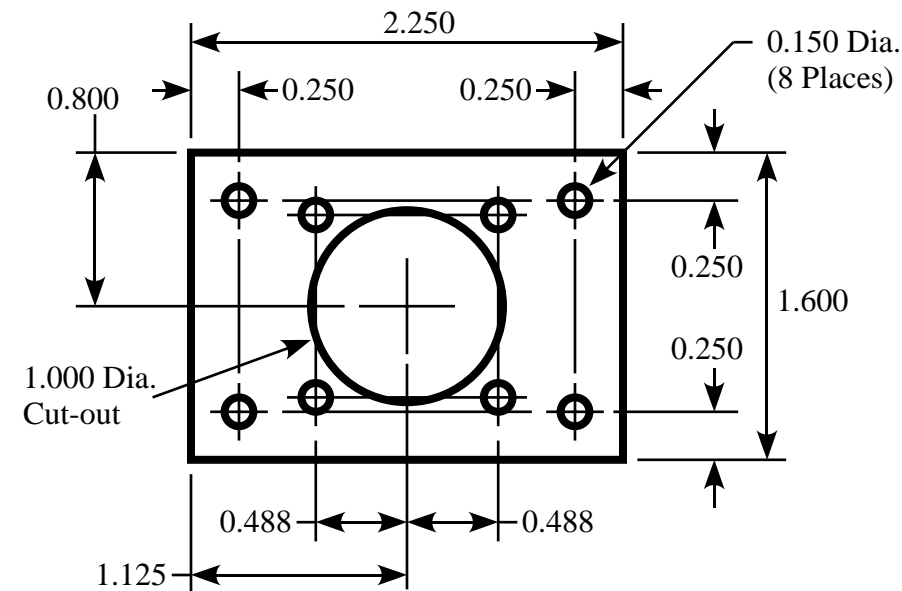
Front Panel Lettering/Silkscreen
Note: All lettering is 10 pt. Arial font.



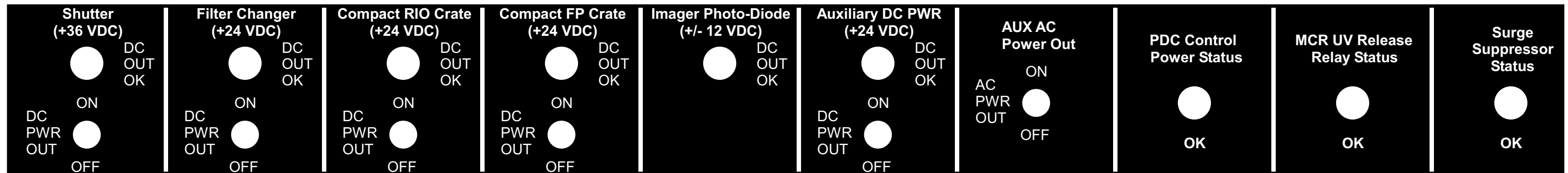
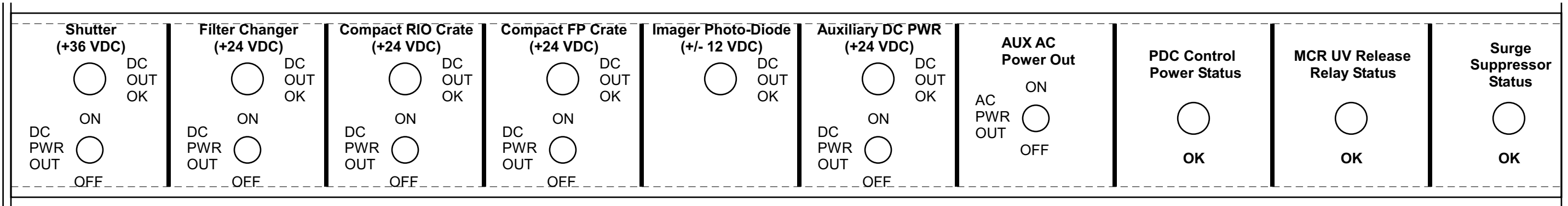
Rear Panel Fabrication



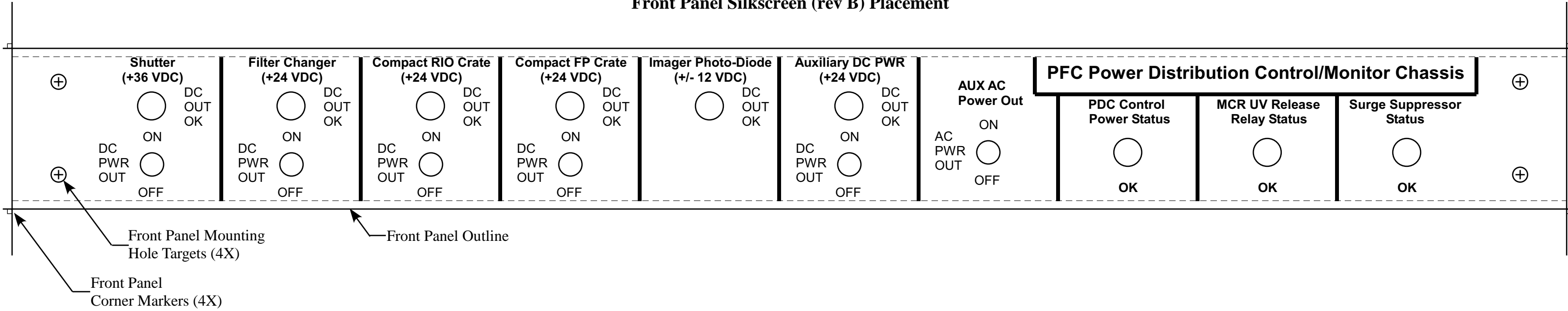
Rear Panel G-10 Isolation Plate Fabrication



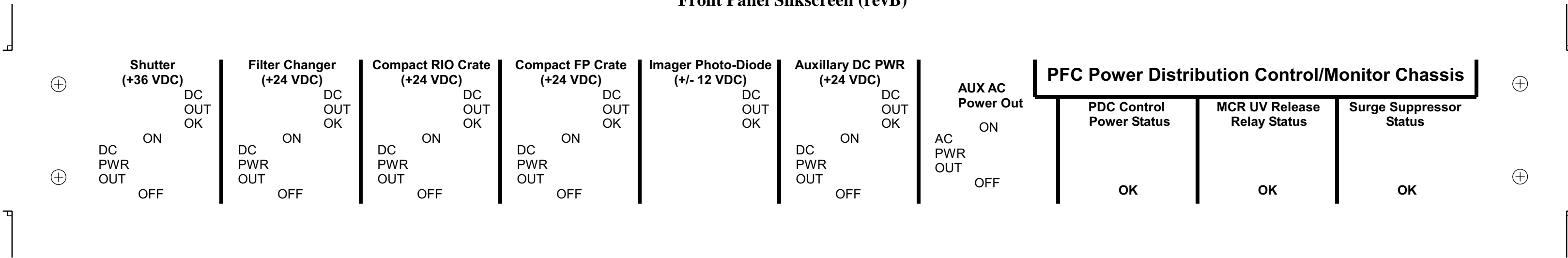
Title: PFC Power Distribution Control Chassis Panel Fabrication				
Project: DECam	Drawn: Steve Chappa	Date: 03-24-2011	Sheet: 2 of 4	Rev: B



**PFC Power Distribution Control Chassis
Front Panel Silkscreen (rev B) Placement**



**PFC Power Distribution Control Chassis
Front Panel Silkscreen (revB)**



Note: Silkscreen lettering is white on a black background.

Title: PFC Power Distribution Control Chassis Panel Fabrication				
Project: DECam	Drawn: Steve Chappa	Date: 03-24-2011	Sheet: 4 of 4	Rev: B