

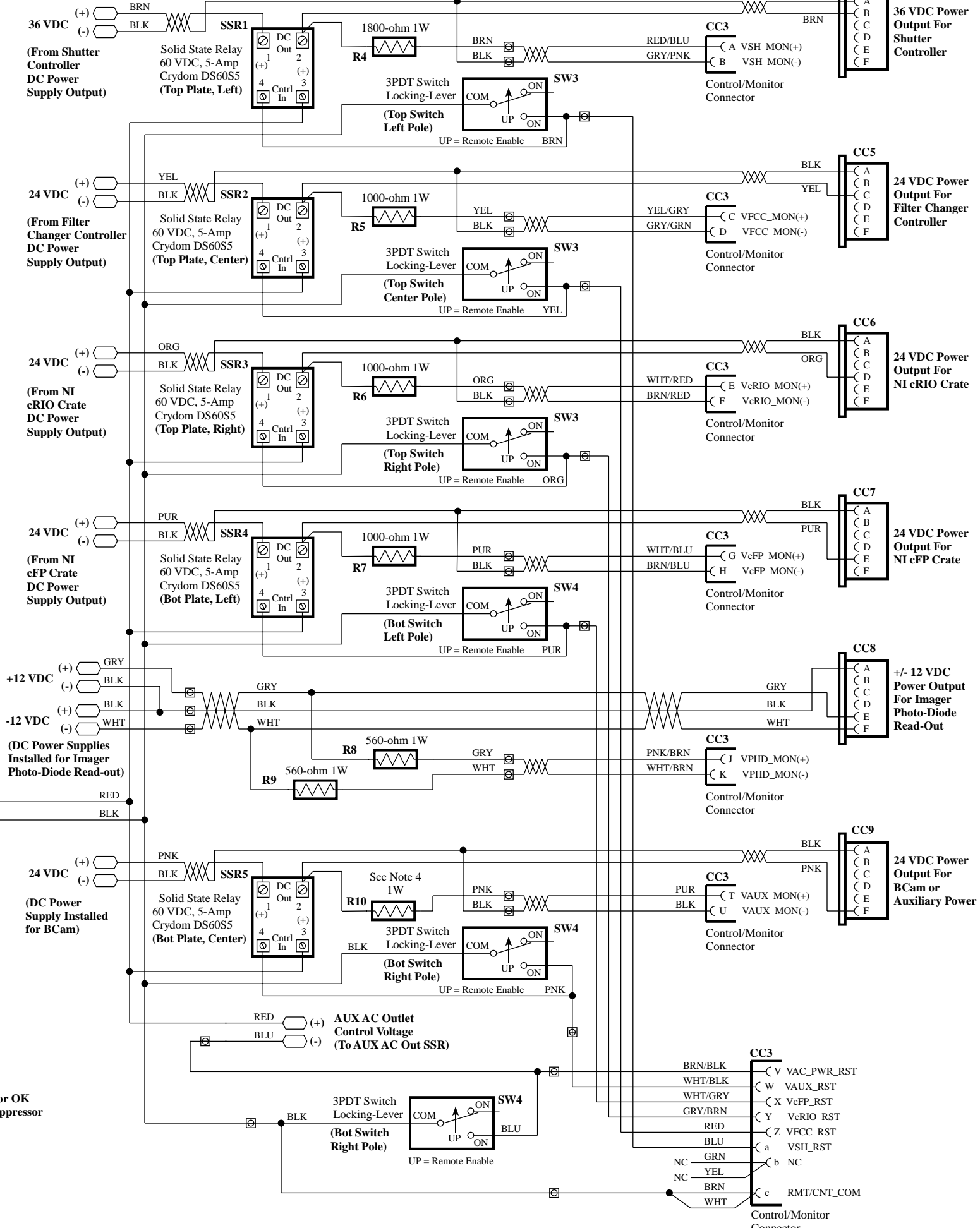
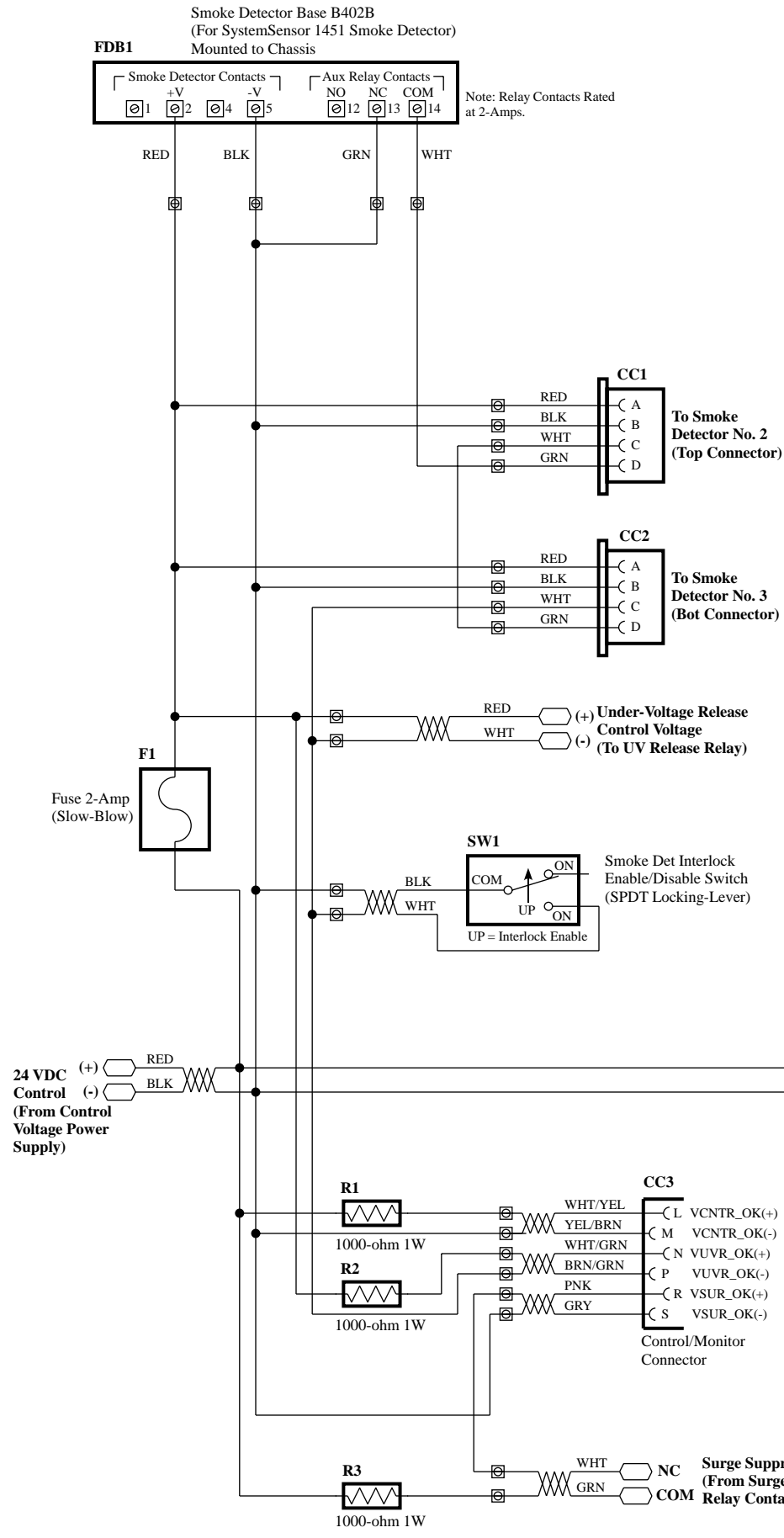
All thick-line AC wiring shown is 10-AWG.
 All thin-line AC branch wiring shown is 14-AWG.

UNLESS OTHERWISE SPECIFIED			
ORIGINATOR	STEVEN CHAPPA	12-OCT-2010	
DRAWN	STEVEN CHAPPA	27-MAR-2011	
CHECKED	NAME	DATE	
APPROVED	NAME	DATE	
USED ON			
MATERIAL			


FERMI NATIONAL ACCELERATOR LABORATORY
 UNITED STATES DEPARTMENT OF ENERGY

DECAM
 PFC POWER DISTRIBUTION CHASSIS
 SCHEMATIC/WIRING DIAGRAM

SCALE	DRAWING NUMBER	SHEET	REV
NO SCALE	0000.000-ED-000101	1 OF 2	C
CREATED WITH: CANVAS DRAWING TOOL		GROUP: PPD/EE DEPARTMENT	



- Notes:
- 1) All DC control and interlock wiring is 22-AWG.
 - 2) All wiring to Control/Monitor Connector is 24-AWG.
 - 3) The DC Output Connector pins/sockets are rated at 5 Amps.
 - 4) The resistor value depends on the auxiliary power supply installed:
5 VDC: R = 150 ohms
12 VDC: R = 560 ohms
24 VDC: R = 1000 ohms

UNLESS OTHERWISE SPECIFIED			
ORIGINATOR	STEVEN CHAPPA	15-OCT-2010	
DRAWN	STEVEN CHAPPA	27-MAR-2011	
CHECKED	NAME	DATE	
APPROVED	NAME	DATE	
USED ON			
MATERIAL			
5. DRAWING UNITS: U.S. INCH			
 FERMI NATIONAL ACCELERATOR LABORATORY UNITED STATES DEPARTMENT OF ENERGY			
DECAM PFC POWER DISTRIBUTION CHASSIS SCHEMATIC/WIRING DIAGRAM			
SCALE	DRAWING NUMBER	SHEET	REV
NO SCALE	0000.000-ED-000101	2 OF 2	C
CREATED WITH: CANVAS DRAWING TOOL		GROUP: PPD/EE DEPARTMENT	