

"F" COLUMN = SHIELD PINS, ODD=TOP, EVEN=BOTTOM
 ERNI 064785 VME TRANSION or PCI
 hm_raf_type_b_22pos_w/s_trans

ERNI 064784 VME TRANSION or PCI
 hm_raf_type_b_19pos_w/s_trans
 "F" COLUMN = SHIELD PINS, ODD=TOP, EVEN=BOTTOM

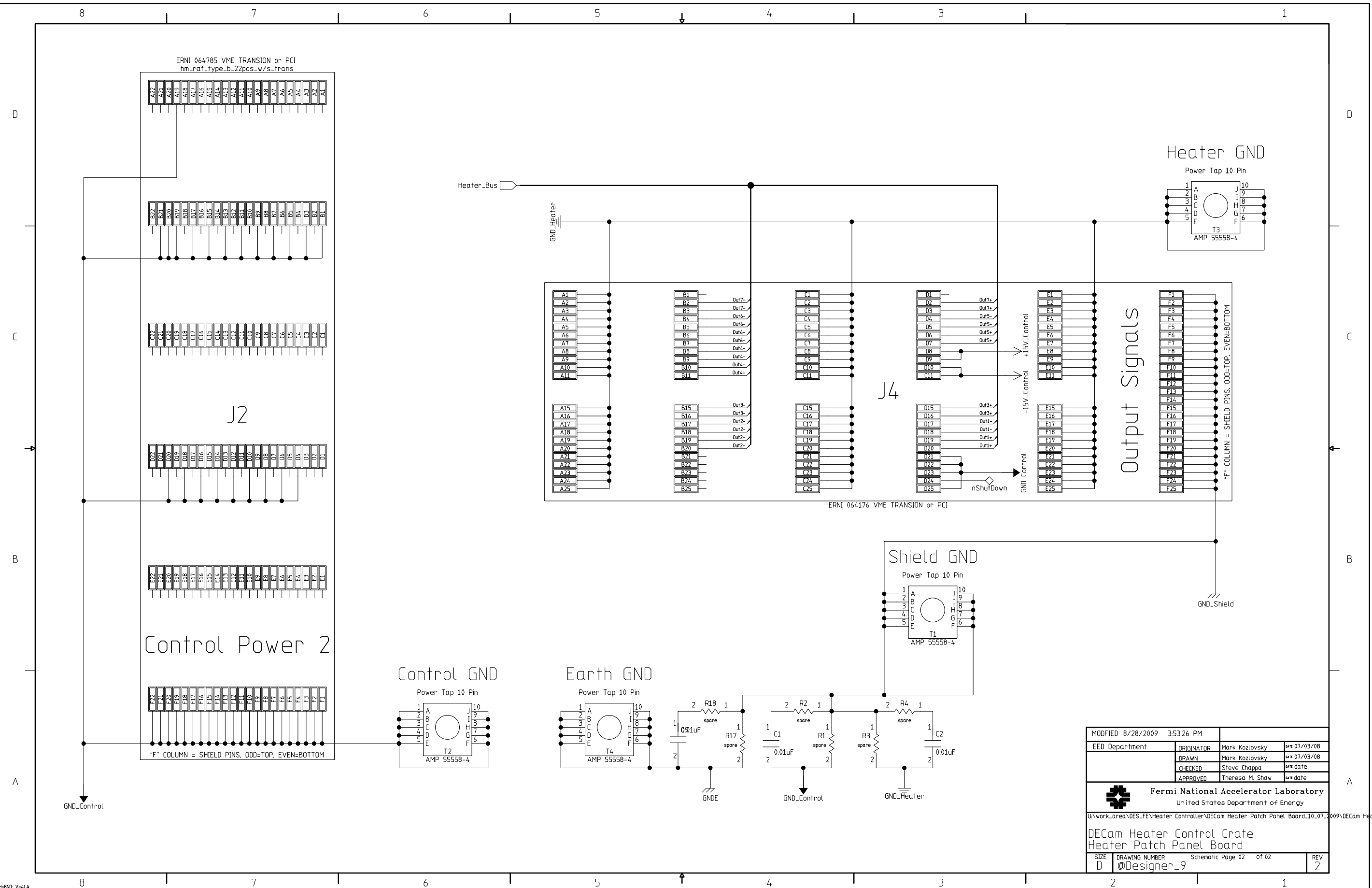
MODIFIED 8/28/2009 3:53:26 PM			
EED Department	ORIGINATOR	Mark Kozlovsky	DATE 07/03/08
	DRAWN	Mark Kozlovsky	DATE 07/03/08
	CHECKED	Steve Chappa	DATE
	APPROVED	Theresa M. Shaw	DATE


Fermi National Accelerator Laboratory
 United States Department of Energy

U:\work_area\DES_FEH\Heater Controller\DECam Heater Patch Panel Board.10.07.2009\DECam Heater Patch Panel Board\DECam_Heater Patch Panel Board.prj

DECam Heater Control Crate
 Heater Patch Panel Board

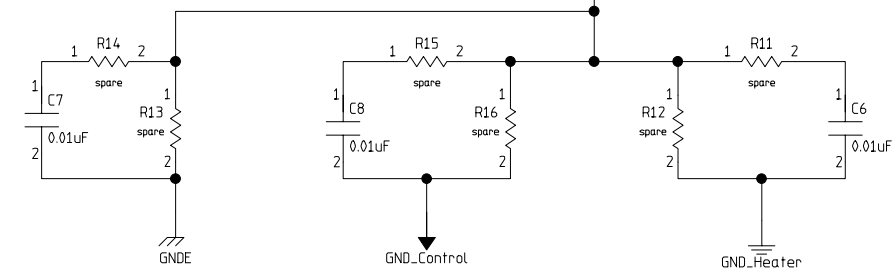
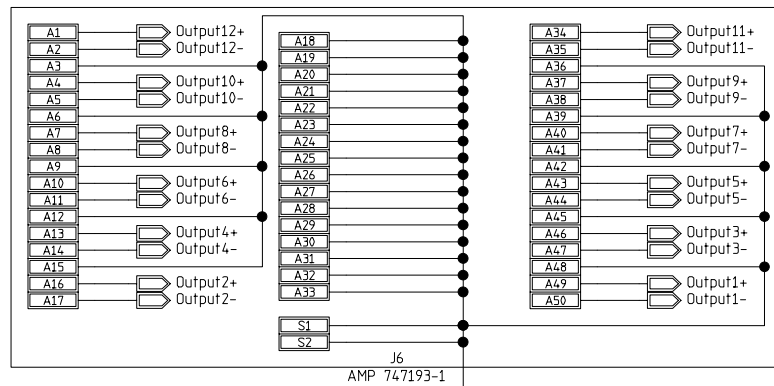
SIZE	DRAWING NUMBER	Schematic Page 01 of 02	REV
D	@Designer_9		2



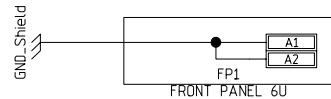
MODIFIED 8/28/2009 3:53:26 PM			
EED Department	ORIGINATOR	Mark Kozlovsky	DATE 07/03/08
	DRAWN	Mark Kozlovsky	DATE 07/03/08
	CHECKED	Steve Chappa	DATE date
	APPROVED	Theresa M. Shaw	DATE date
 Fermi National Accelerator Laboratory United States Department of Energy			
U:\work_area\DES_FE\Heater Controller\DECam Heater Patch Panel Board.10.07.2009\DECam Heater Patch Panel Board\DECam_Heater Patch Panel Board.prj			
DECam Heater Control Crate Heater Patch Panel Board			
SIZE	DRAWING NUMBER	Schematic Page 02 of 02	REV 2
D	@Designer_9		

Important! All connectors' metal shells MUST be isolated from the Front Panel

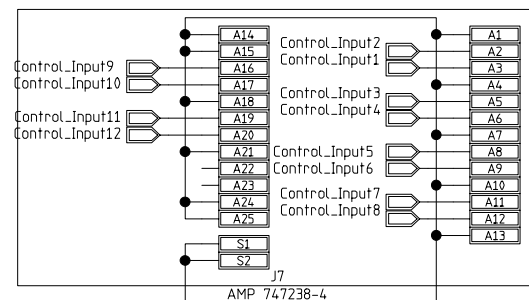
Heaters



Front Panel GND

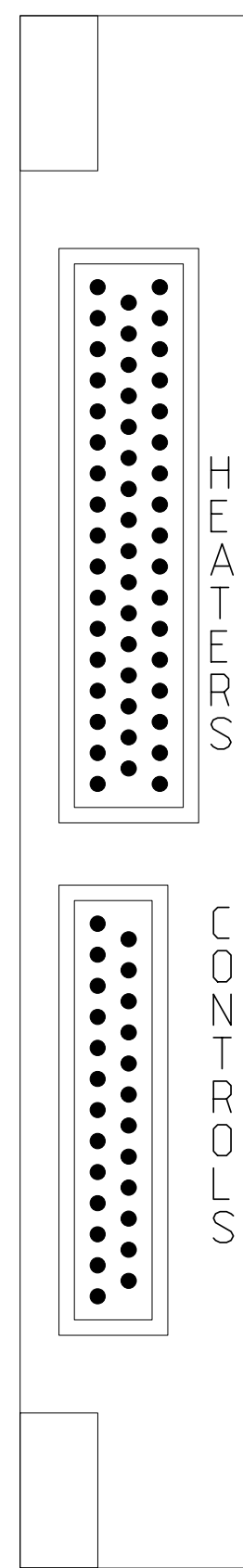
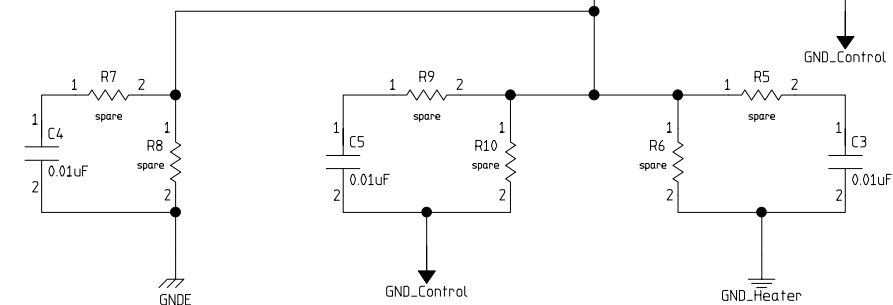


Controls



Cable GNDs ONLY:

- A4
- A14
- A18
- A21
- A24



MODIFIED 8/28/2009 3:53:20 PM			
EED Department	ORIGINATOR	Mark Kozlovsky	DATE 07/03/08
	DRAWN	Mark Kozlovsky	DATE 07/03/08
	CHECKED	Steve Chappa	DATE
	APPROVED	Theresa M. Shaw	DATE
 Fermi National Accelerator Laboratory United States Department of Energy			
U:\work_area\DES_FEV\Heater Controller\DECam Heater Patch Panel Board.10.07.2009\DECam Heater Patch Panel Board\DECam_Heater Patch Panel Board.prj			
DECam Heater Control Crate			
Heater Patch Panel Board			
Front Panel			
SIZE	DRAWING NUMBER	Schematic Page 01 of 01	REV
D	@Designer_9		2