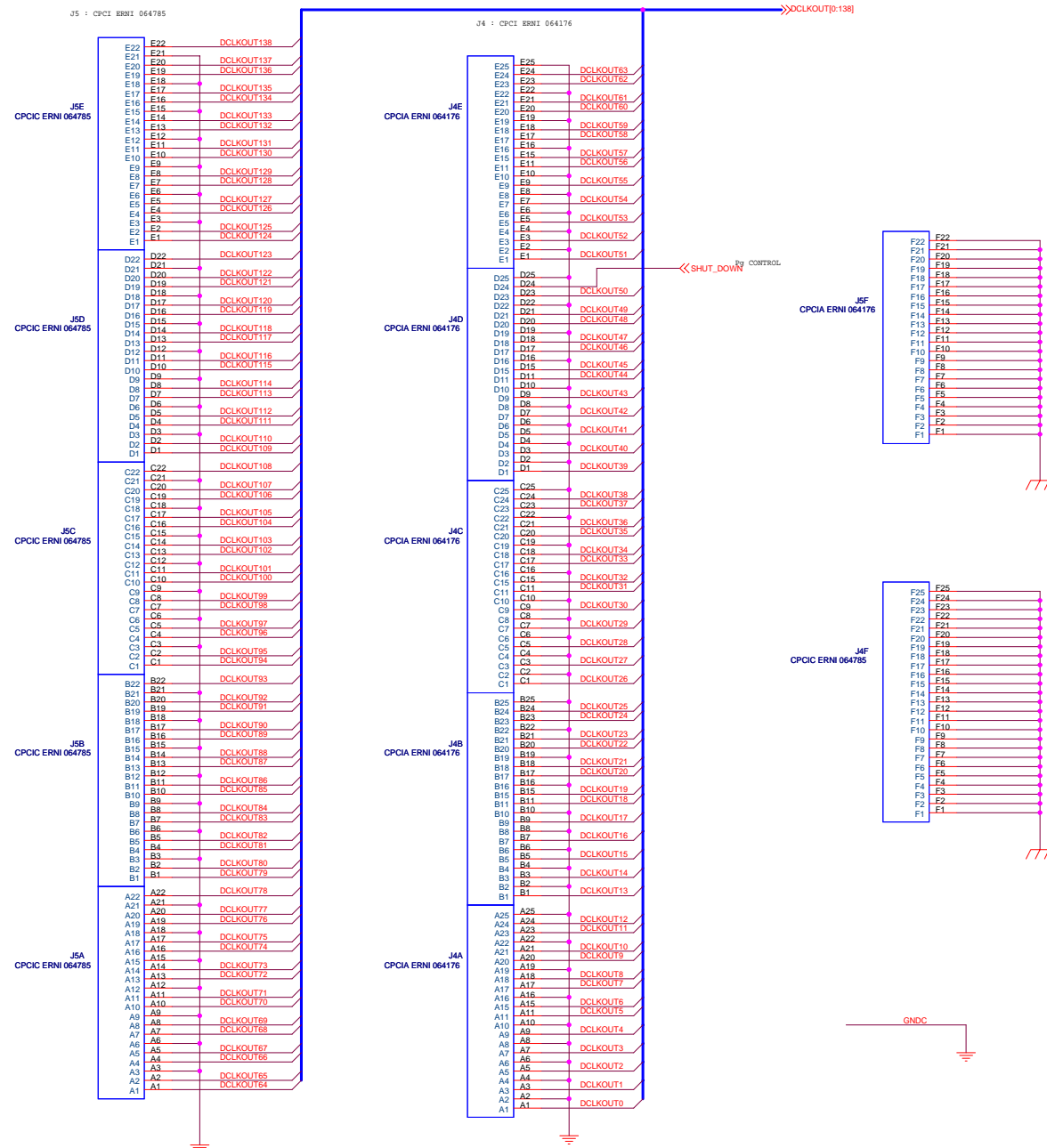
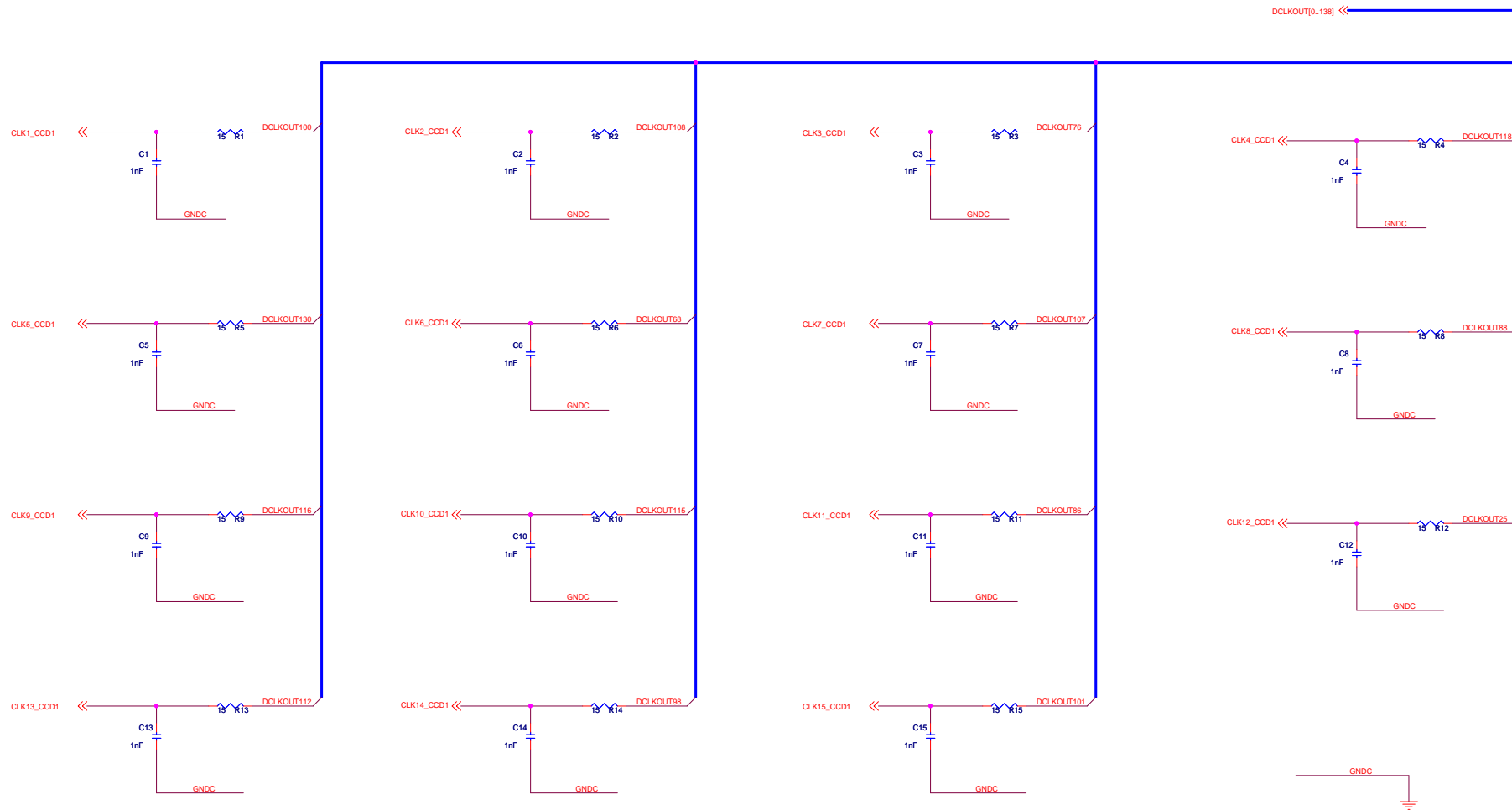


CompactPCI connector. Clocks. Backplane interface.



Title		DES Clock Transition Board V2 - CIEMAT	
Size	Document Number	Rev	
C	<Doc>	<Rev>	
Date:	Thursday, September 04, 2008	Sheet	1 of 14

RC , CCD1

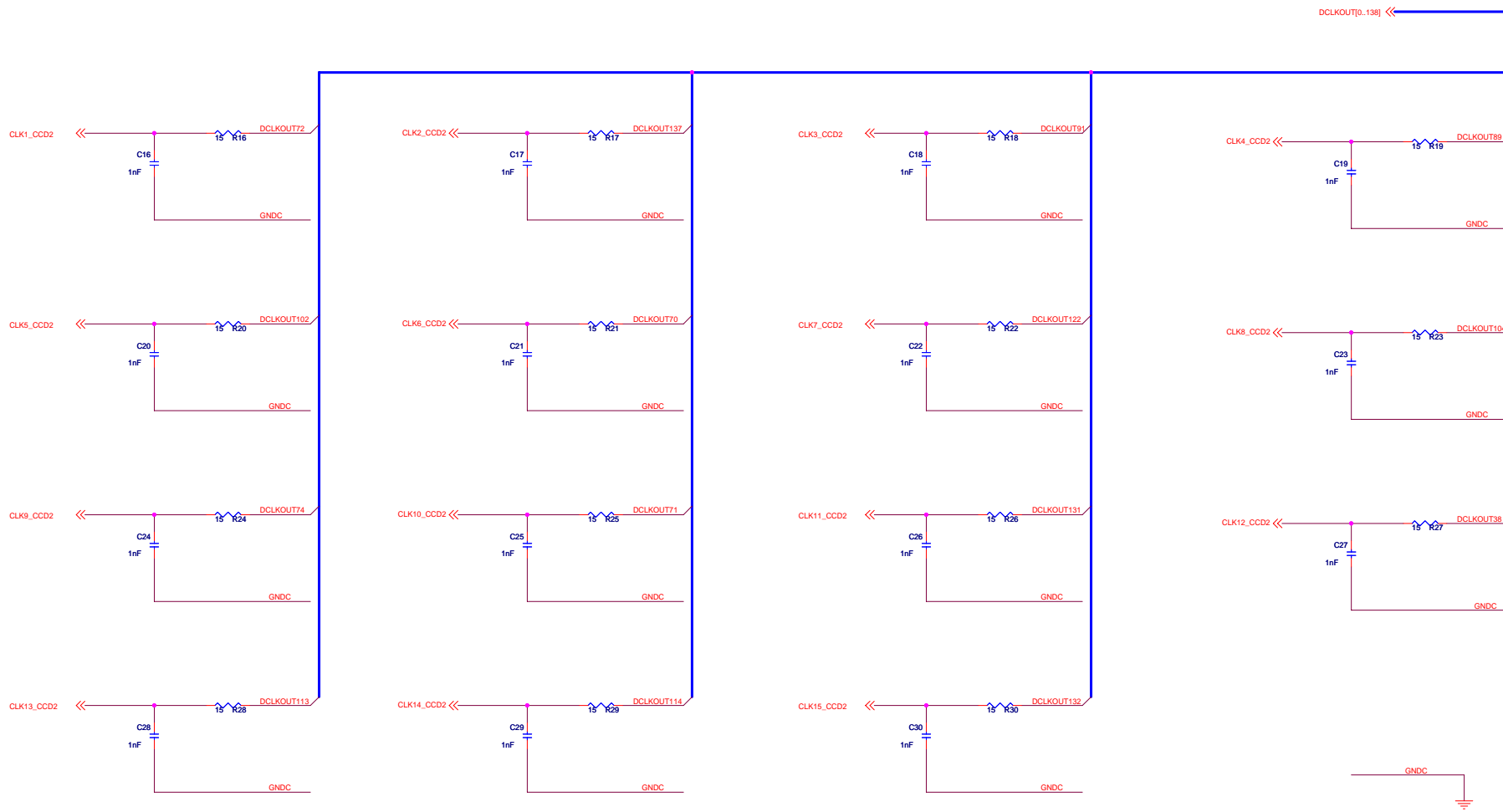


Float N+Guard - Remove C15, R15

Waveshape Vertical Clocks - C11, C12, C13 should be 0.1 uF

R11, R12, R13 should be 5 ohms

RC, CCD2



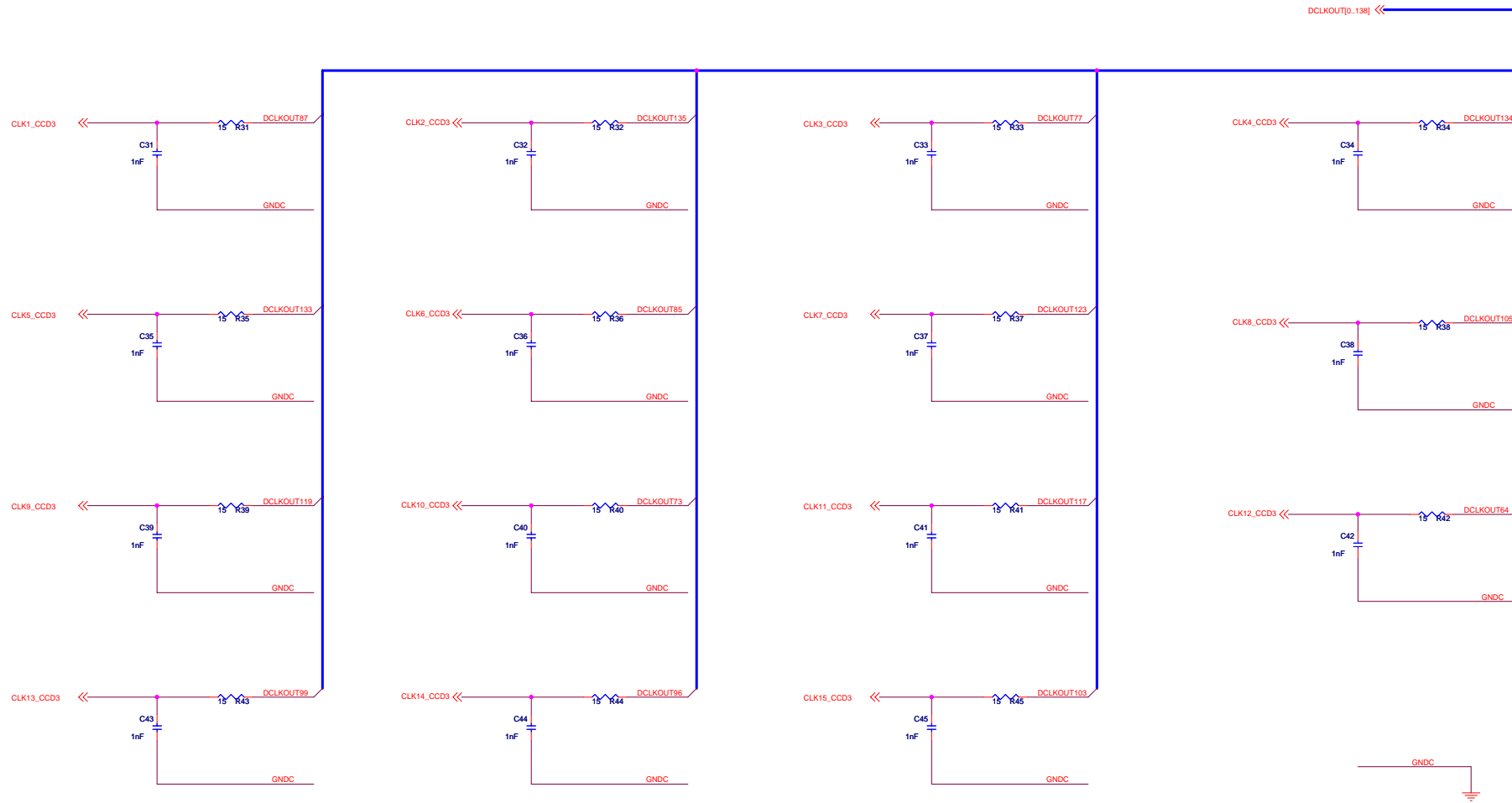
Float N+Guard - Remove C30, R30

Waveshape Vertical Clocks - C26, C27, C28 should be 0.1 uF

R26, R27, R28 should be 5 ohms

Title		
DES Clock Transition Board V2 - CIEMAT		
Size	Document Number	Rev
C	<Doc>	<Rev Code>
Date:	Thursday, September 04, 2008	Sheet 3 of 14

RC , CCD3



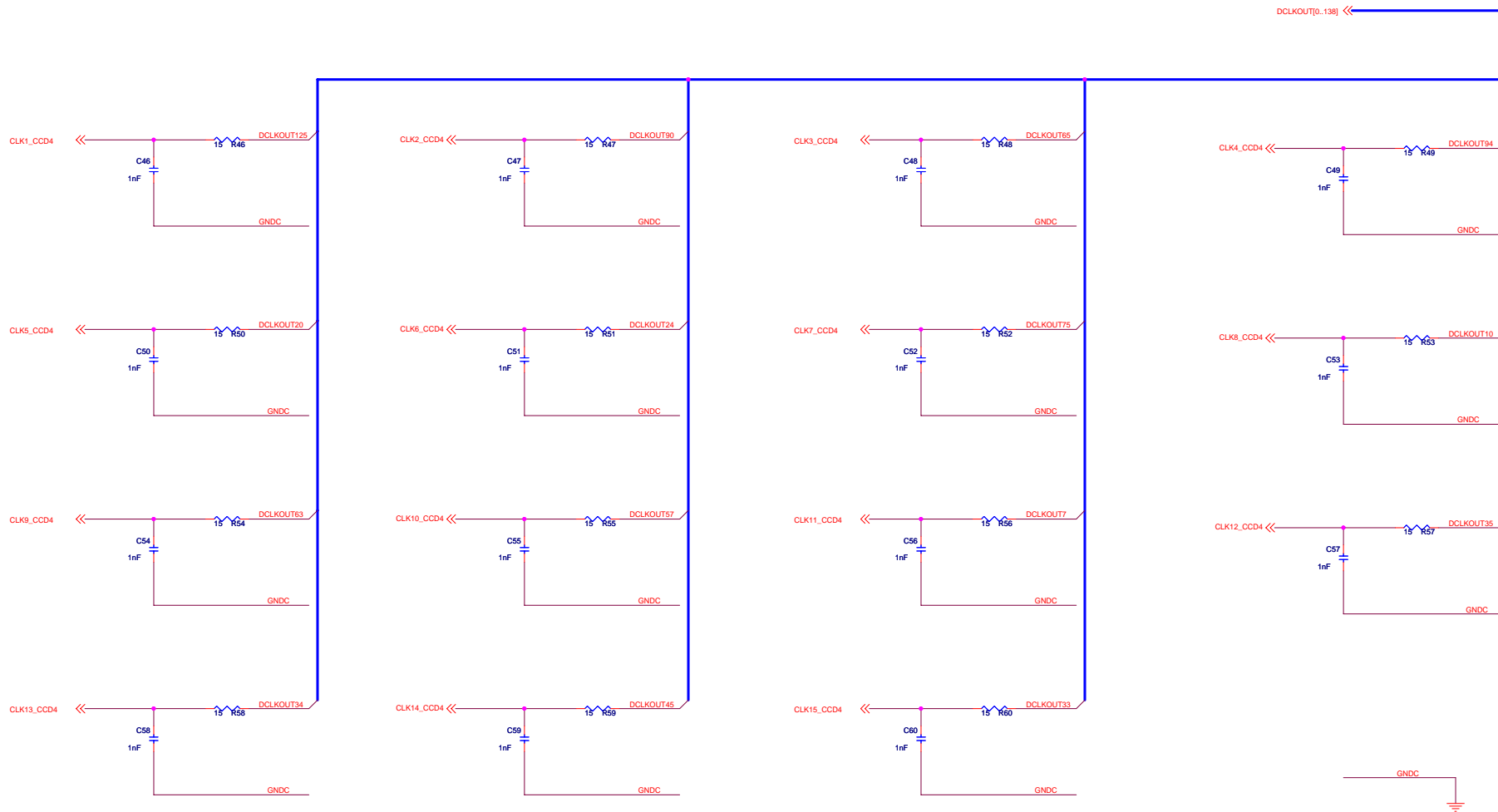
Float N+Guard - Remove C45, R45

Waveshape Vertical Clocks - C41, C42, C43 should be 0.1 uF

R41, R42, R43 should be 5 ohms

Title		DES Clock Transition Board V2 - CIEMAT	
Size	Document Number	Rev	
C	<Doc>	<Rev Code>	
Date:	Thursday, September 04, 2008	Sheet	4 of 14

RC , CCD4



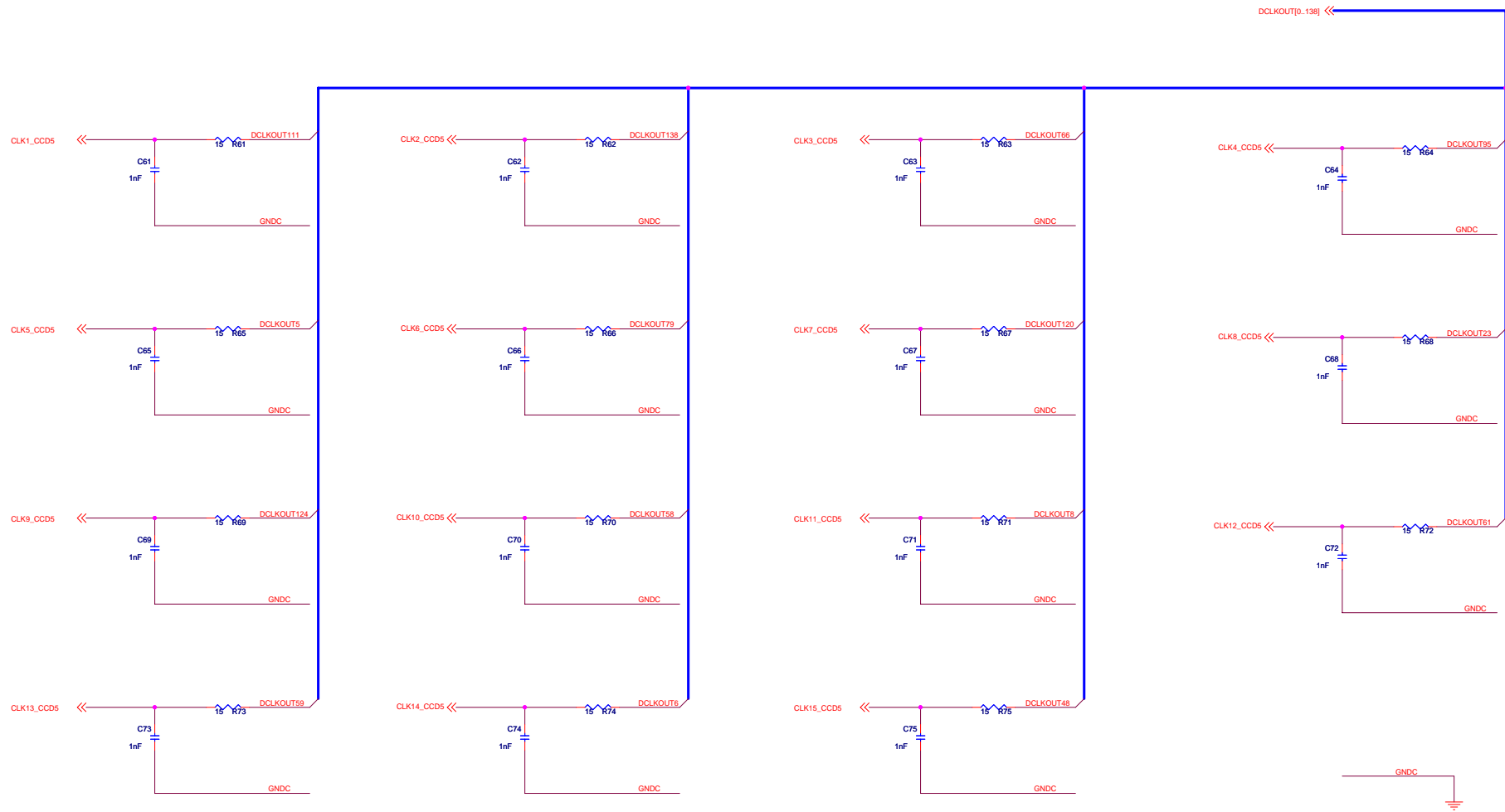
Float N+Guard - Remove C60, R60

Waveshape Vertical Clocks - C56, C57, C58 should be 0.1 uF

R56, R57, R58 should be 5 ohms

Title		
DES Clock Transition Board V2 - CIEMAT		
Size	Document Number	Rev
C	<Doc>	<Rev Code>
Date:	Thursday, September 04, 2008	Sheet 5 of 14

RC, CCD5



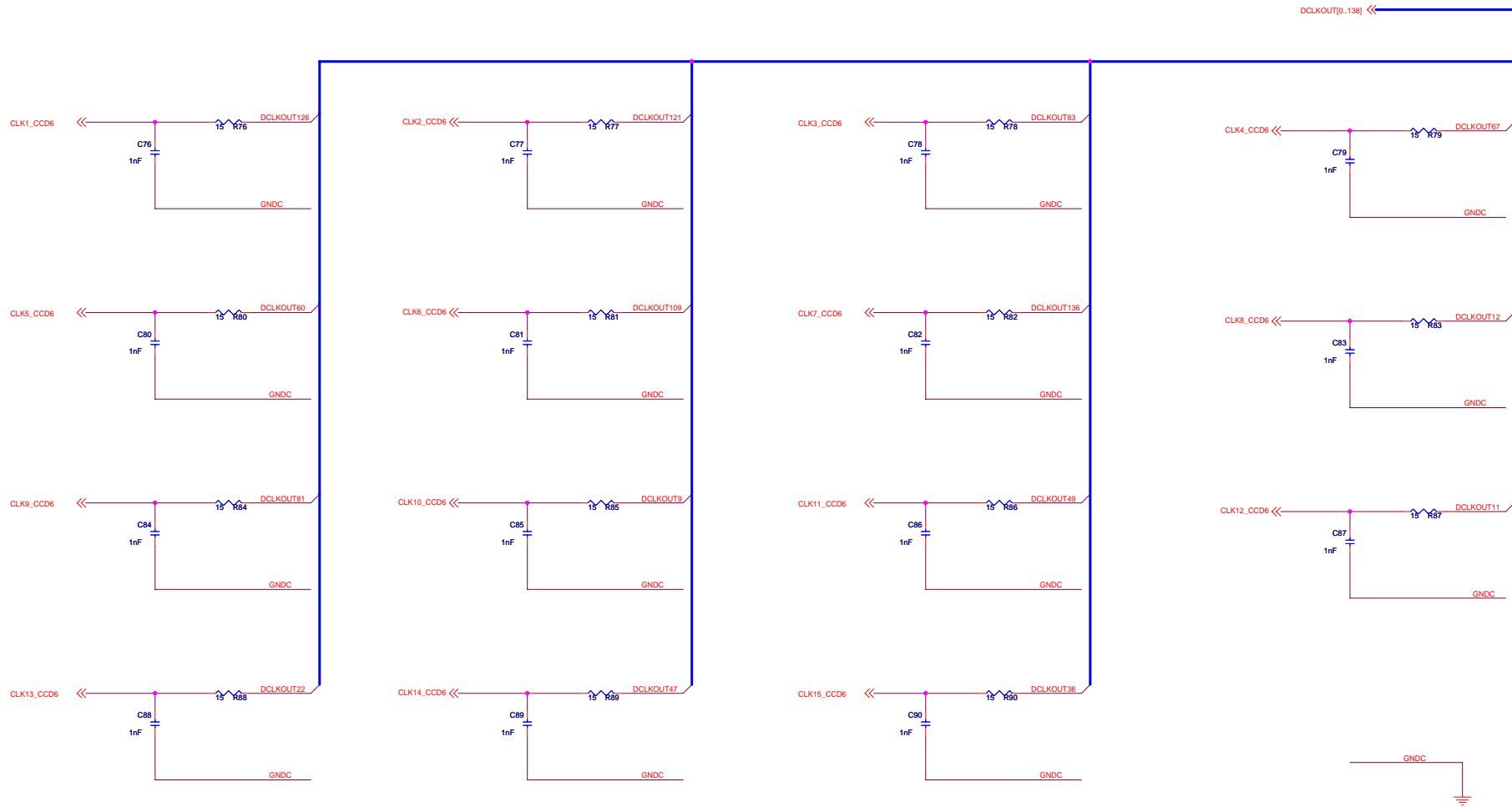
Float N+Guard - Remove C75, R75

Waveshape Vertical Clocks - C71, C72, C73 should be 0.1 uF

R71, R72, R73 should be 5 ohms

Title		
DES Clock Transition Board V2 - CIEMAT		
Size	Document Number	Rev
C	<Doc>	<Rev Code>
Date:	Thursday, September 04, 2008	Sheet 6 of 14

RC, CCD6

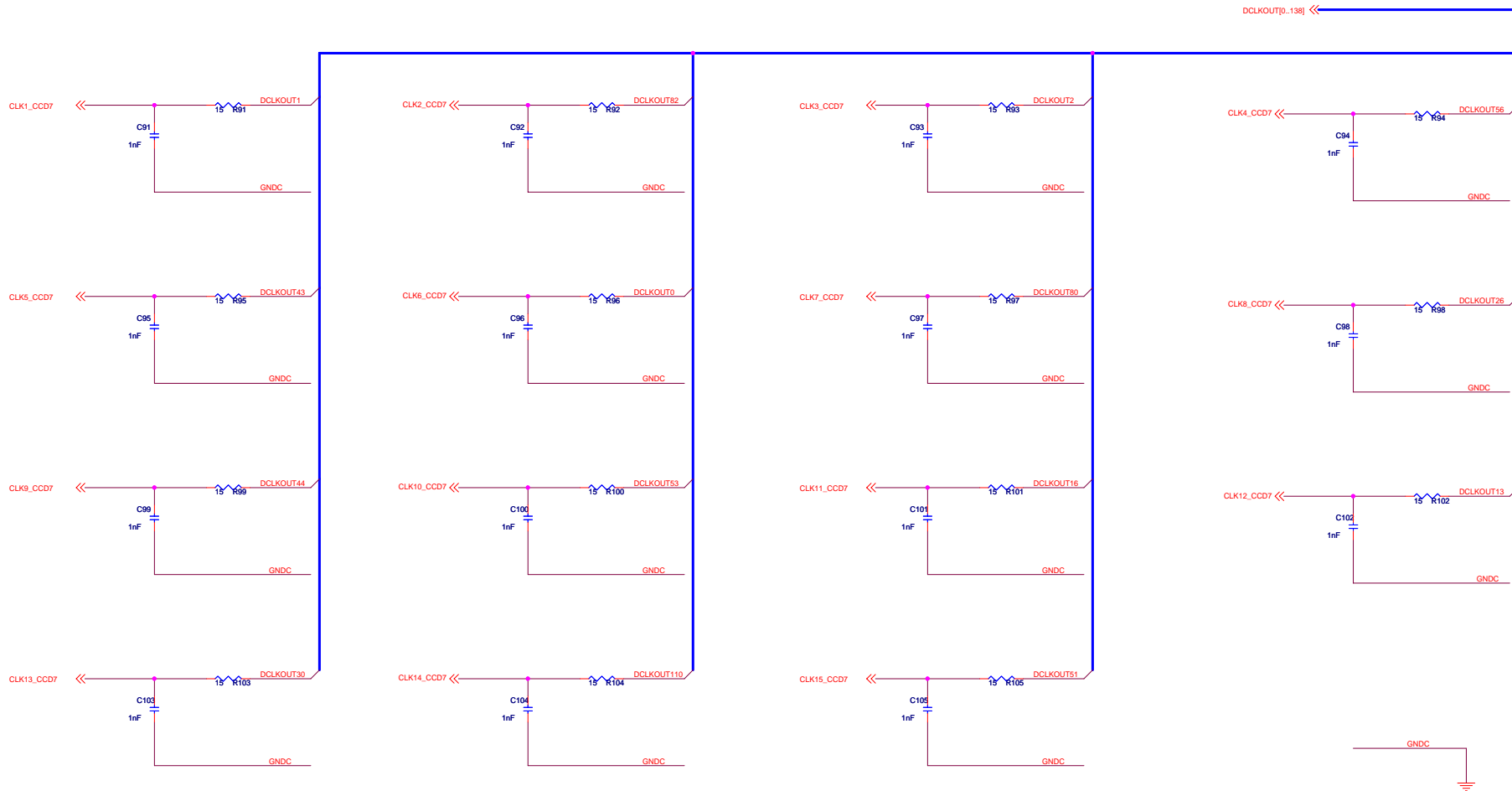


Float N+Guard - Remove C90, R90

Waveshape Vertical Clocks - C86, C87, C88 should be 0.1 uF
 R86, R87, R88 should be 5 ohms

Title		DES Clock Transition Board V2 - CIEMAT	
Size	Document Number	Rev	<Rev Code>
C	<Doc>		
Date:	Thursday, September 04, 2008	Sheet	7 of 14

RC, CCD7



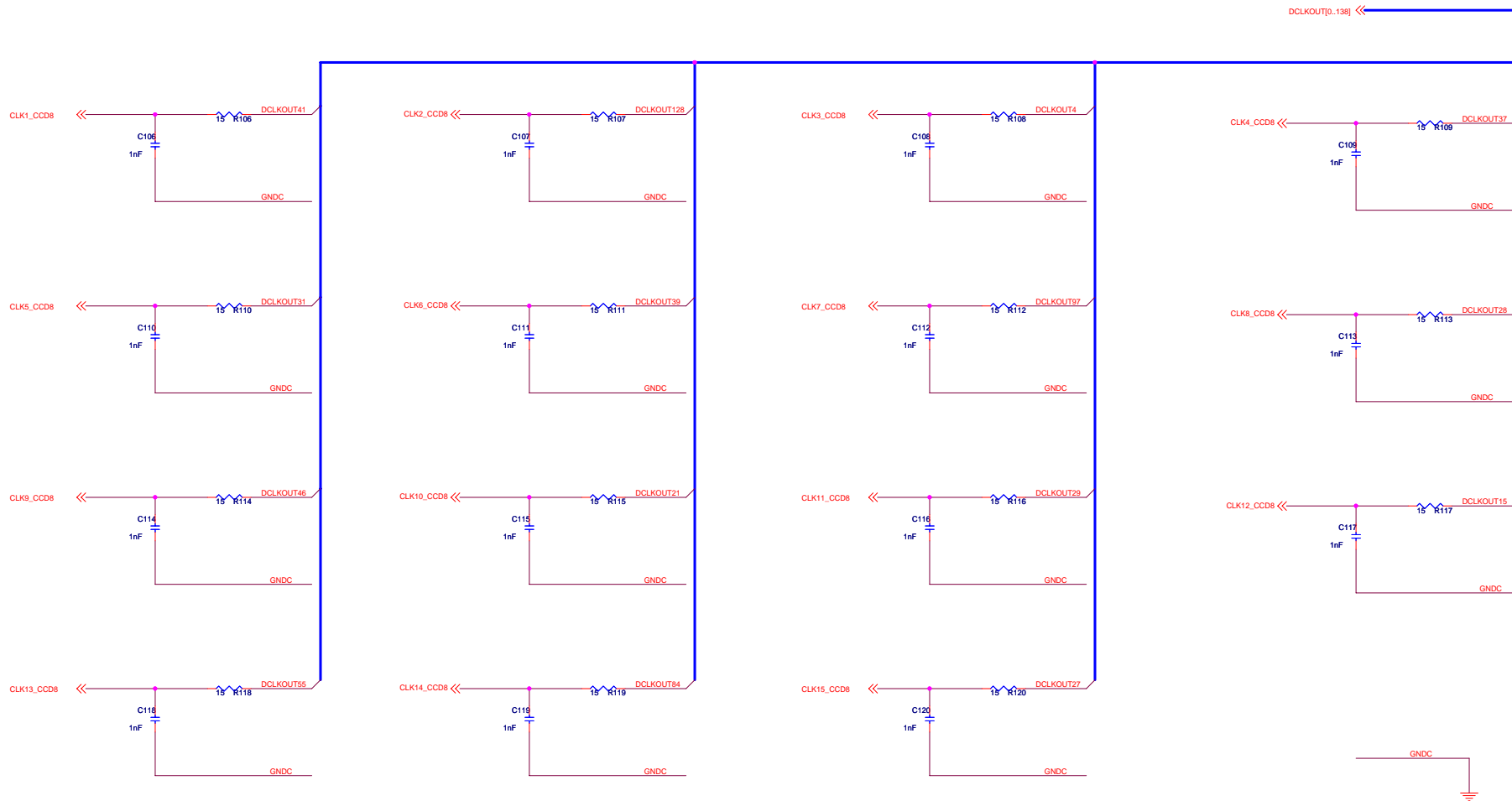
Float N+Guard - Remove C105, R105

Waveshape Vertical Clocks - C101, C102, C103 should be 0.1 uF

R101, R102, R103 should be 5 ohms

Title		
DES Clock Transition Board V2 - CIEMAT		
Size	Document Number	Rev
C	<Doc>	<Rev>
Date:	Thursday, September 04, 2008	Sheet 8 of 14

RC, CCD8

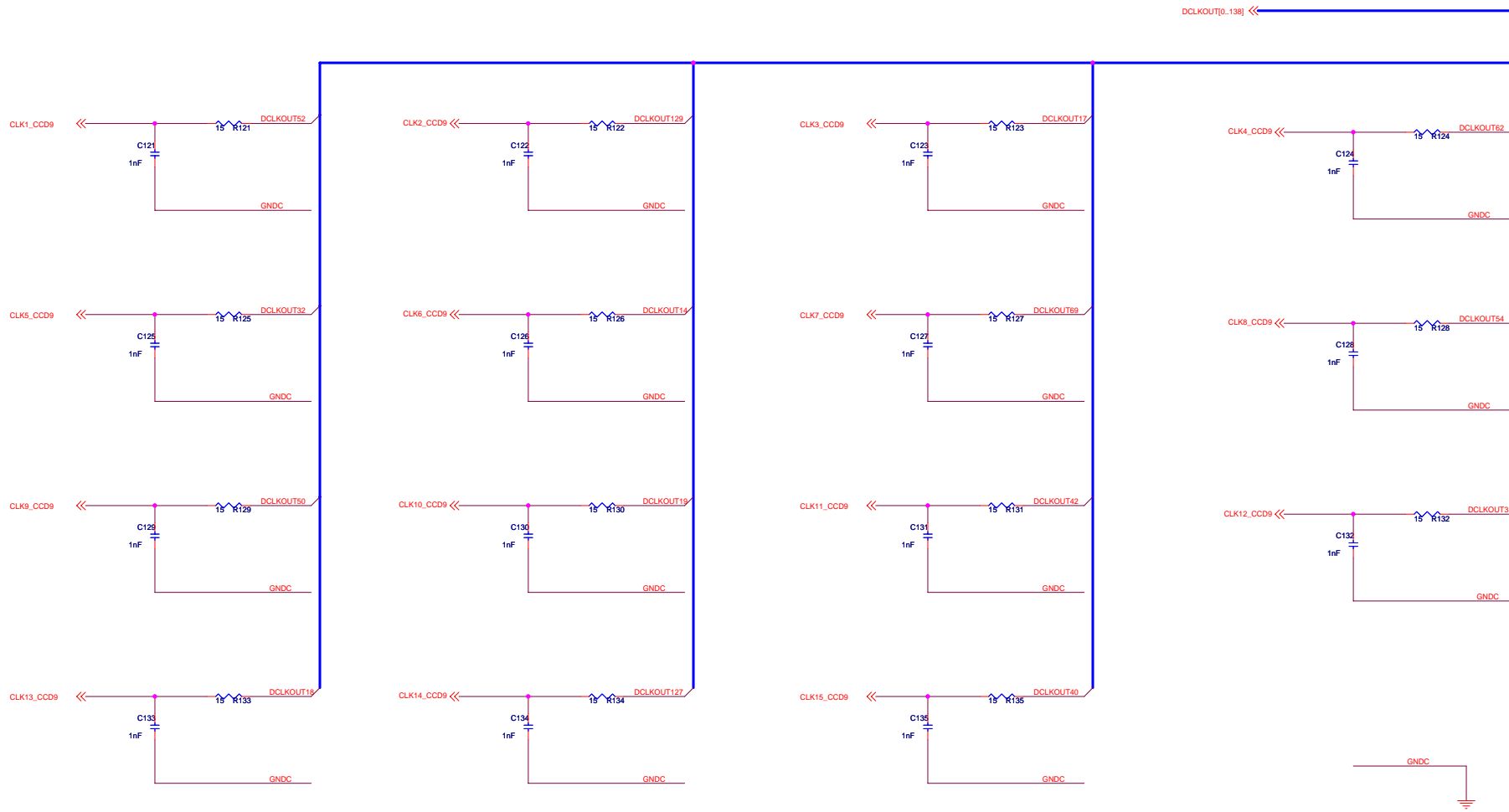


Float N+Guard - Remove C120, R120

Waveshape Vertical Clocks - C116, C117, C118 should be 0.1 uF
R116, R117, R118 should be 5 ohms

Title		DES Clock Transition Board V2 - CIEMAT	
Size	Document Number	Rev	
C	<Doc>	<Rev Code>	
Date:	Thursday, September 04, 2008	Sheet	9 of 14

RC, CCD9

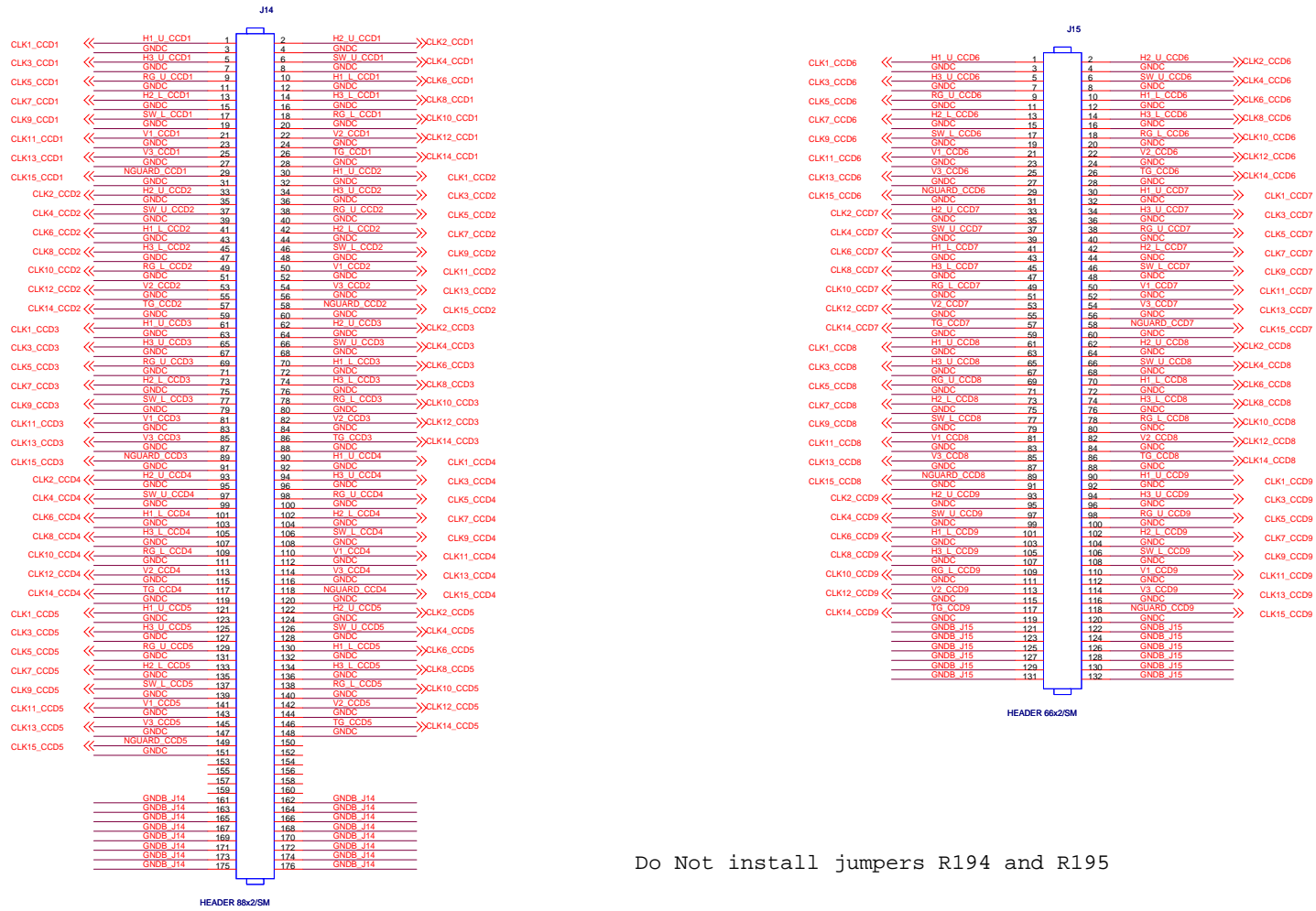


Float N+Guard - Remove C135, R135

Waveshape Vertical Clocks - C131, C132, C133 should be 0.1 uF
 R131, R132, R133 should be 5 ohms

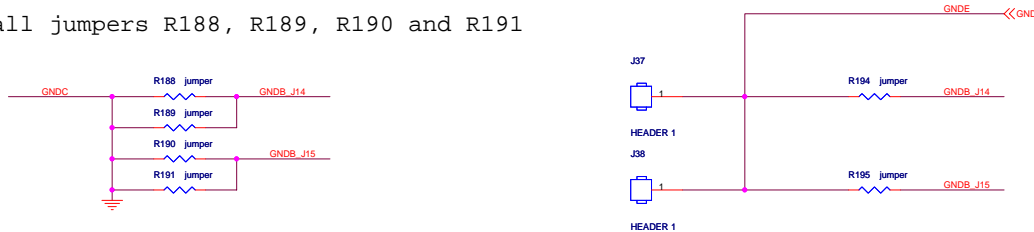
Title		DES Clock Transition Board V2 - CIEMAT	
Size	Document Number	Rev	<Rev Code>
C	<Doc>		
Date:	Thursday, September 04, 2008	Sheet	10 of 14

Cable Interface

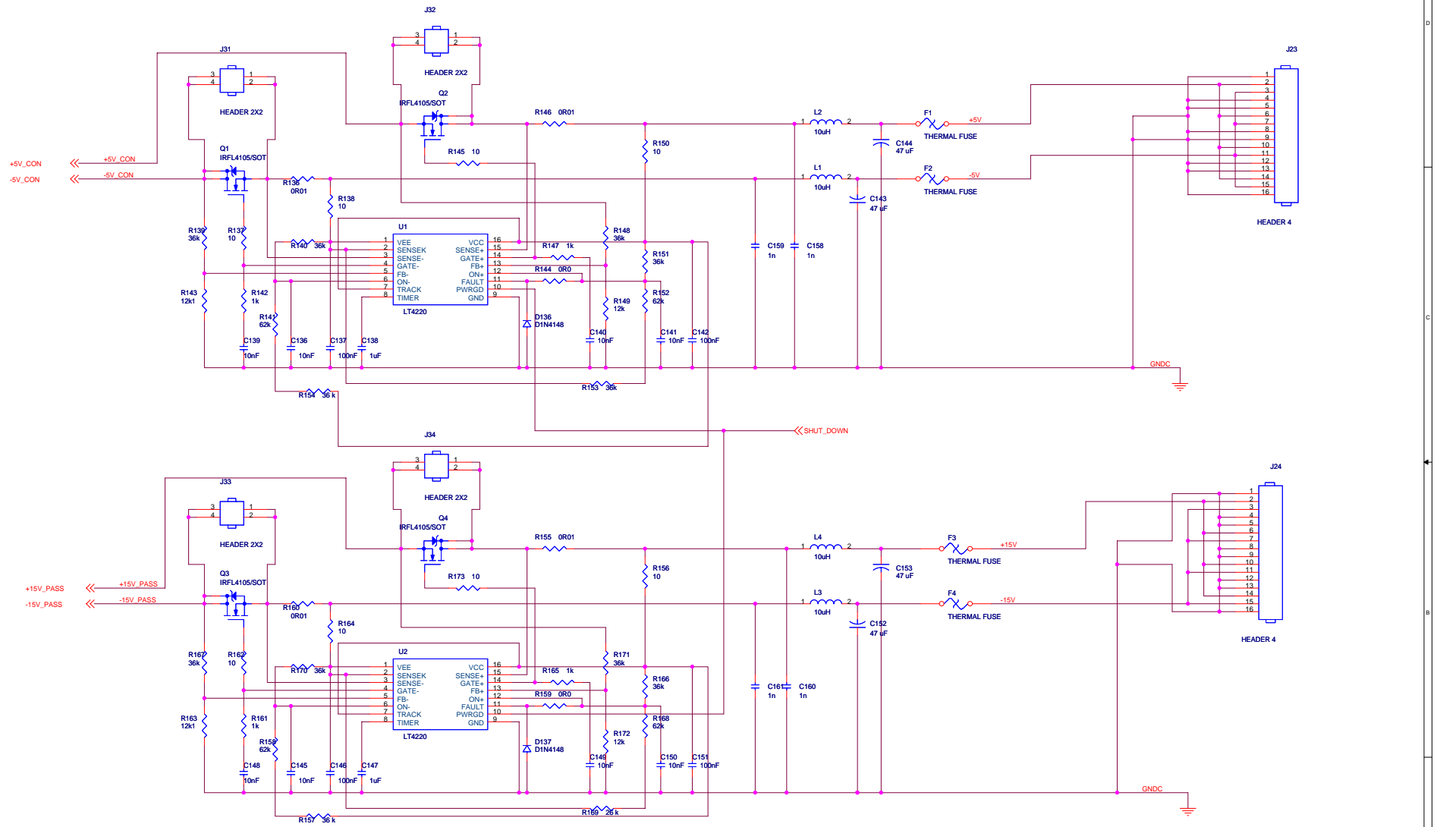


Do Not install jumpers R194 and R195

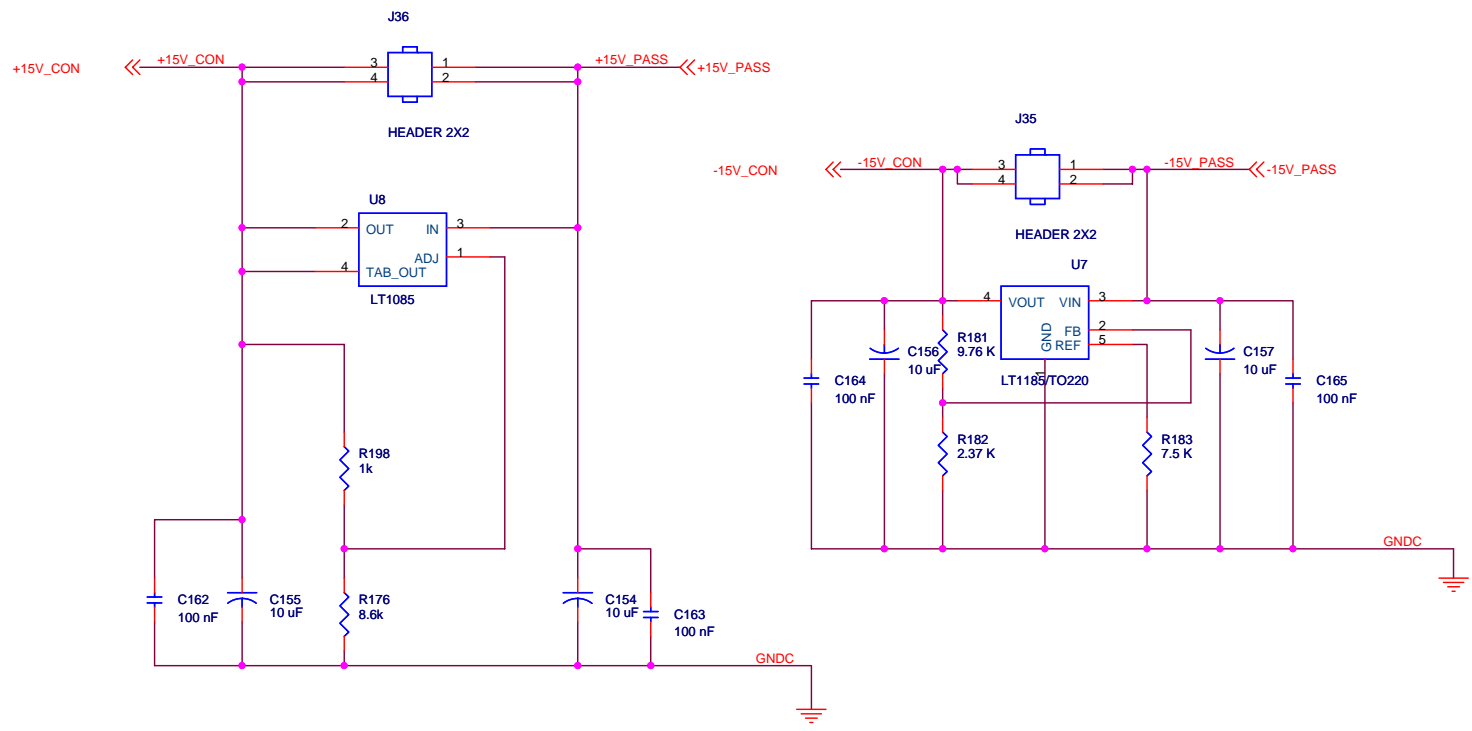
Do not install jumpers R188, R189, R190 and R191



Power: Hot Swap Controllers



Power: Linear regulators

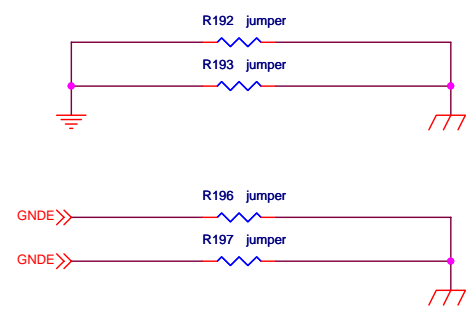
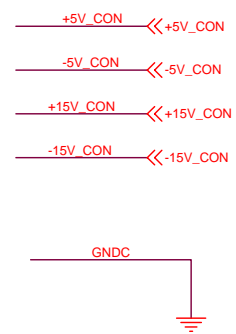
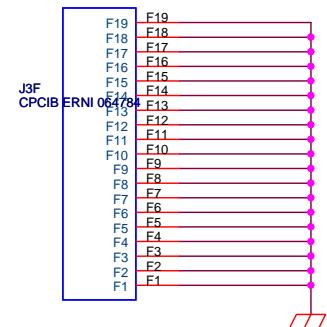
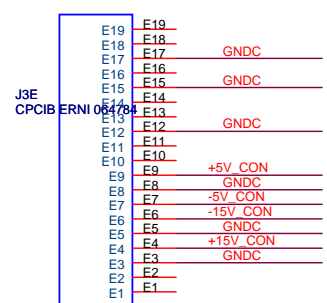
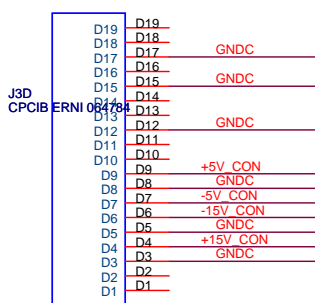
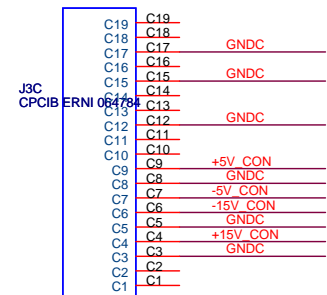
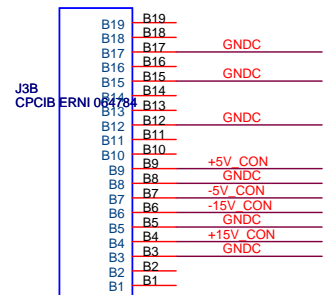
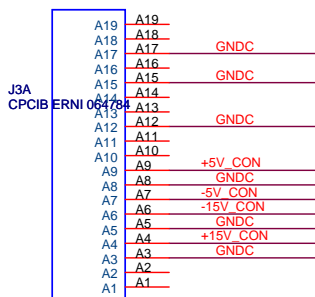


$$V_{out} = V_{ref} (1 + R_{198}/R_{176}) + I_{adj} R_{176}$$

$V_{ref} = 1.25V$
 $I_{adj} = 50 \mu A$

Title		
DES Clock Transition Board V2 - CIEMAT		
Size	Document Number	Rev
B	<Doc>	<RevCode>
Date:	Wednesday, February 25, 2009	Sheet 13 of 14

Power: Backplane interface



Title		
DES Clock Transition Board V2 - CIEMAT		
Size	Document Number	Rev
B	<Doc>	<RevCode>
Date:	Monday, September 22, 2008	Sheet 14 of 14