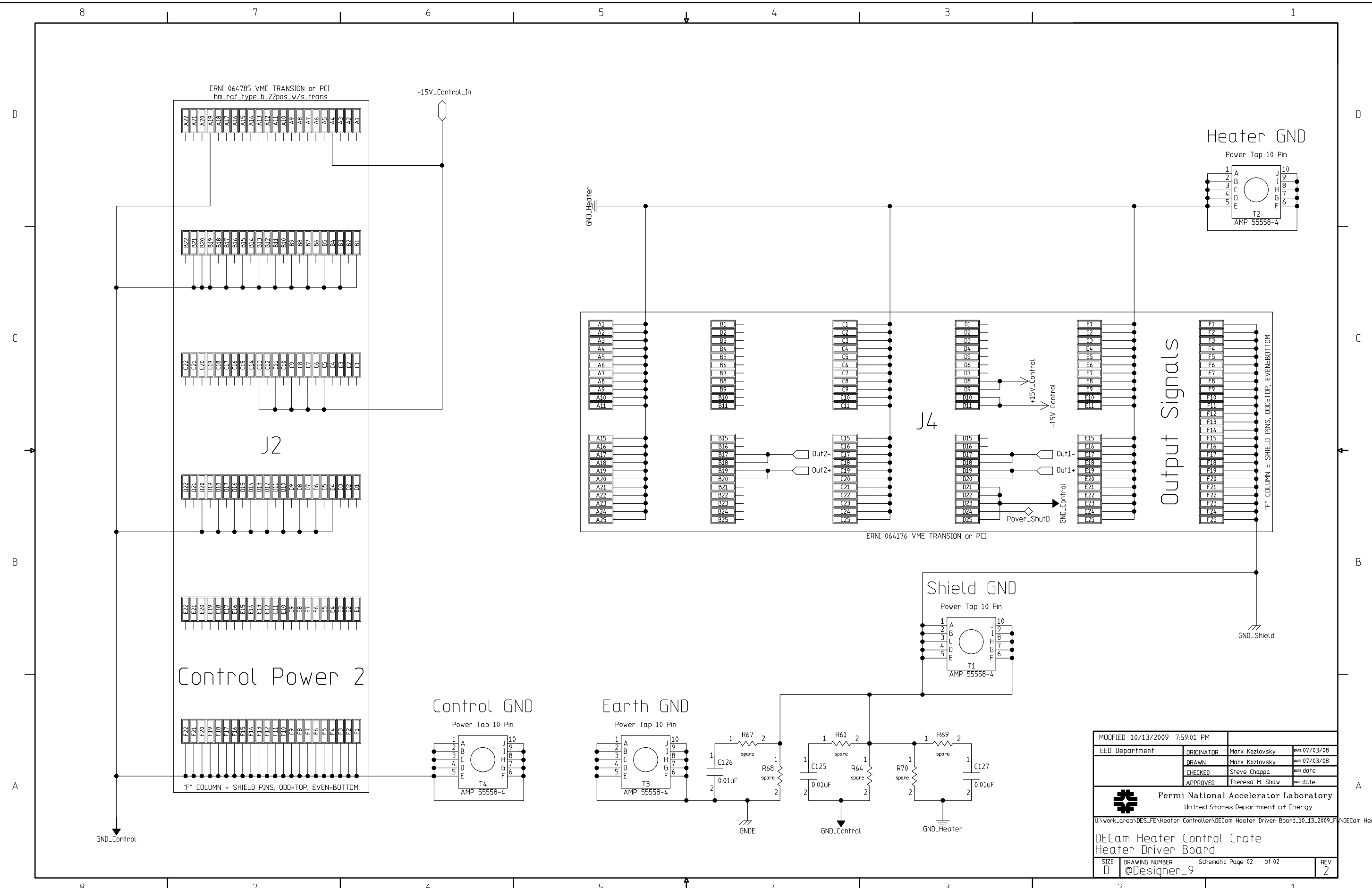


ERNI 064176 VME TRANSION or PCI
 hm_raf_type_a.25pos.w/s_trans
 "F" COLUMN = SHIELD PINS, ODD=TOP, EVEN=BOTTOM

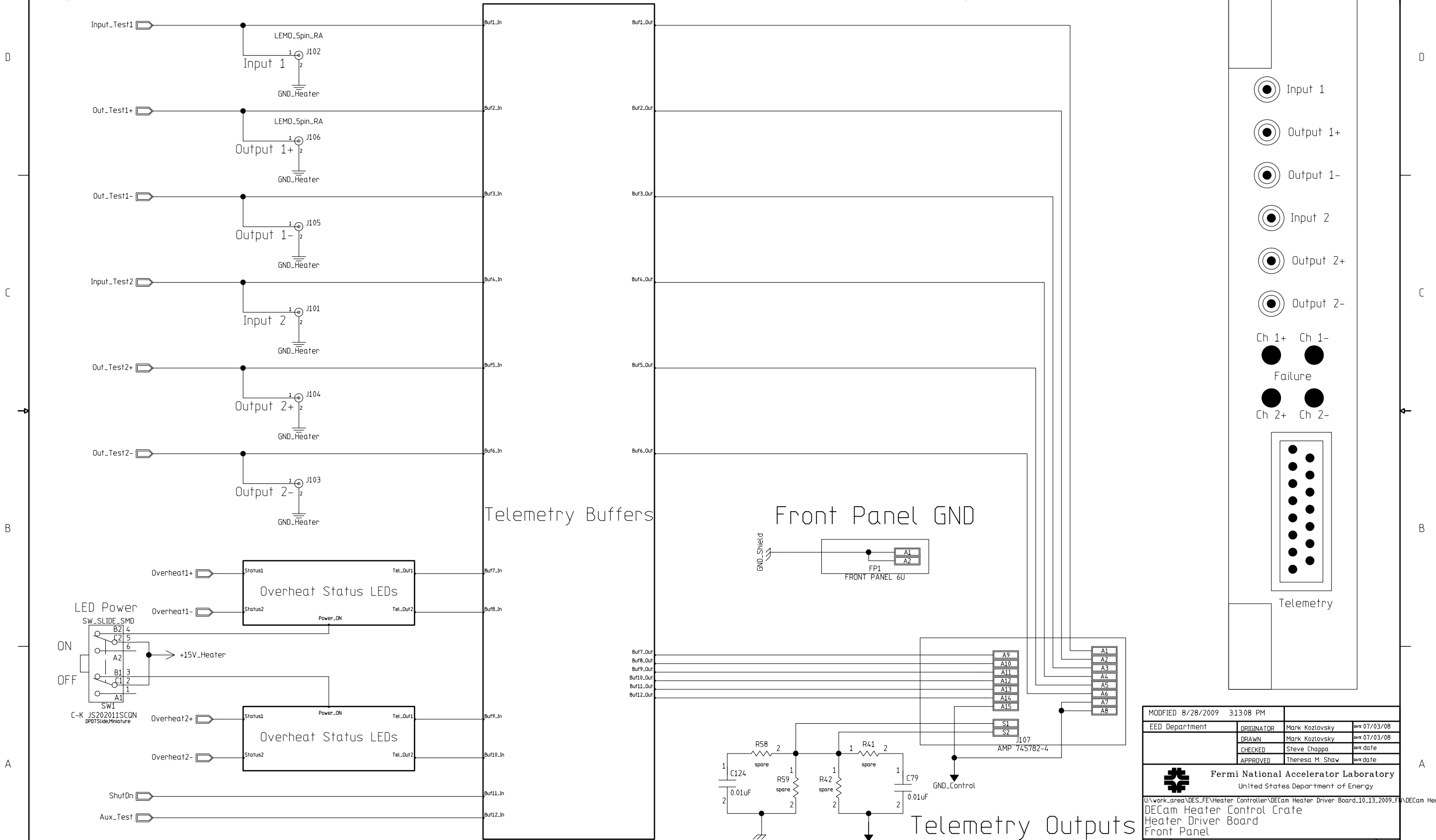
ERNI 064785 VME TRANSION or PCI
 hm_raf_type_b.19pos.w/s_trans
 "F" COLUMN = SHIELD PINS, ODD=TOP, EVEN=BOTTOM

MODIFIED 10/13/2009 7:59:01 PM		
EED Department	ORIGINATOR	Mark Kozlovsky
	DRAWN	Mark Kozlovsky
	CHECKED	Steve Chappa
	APPROVED	Theresa M. Shaw
 Fermi National Accelerator Laboratory United States Department of Energy		
U:\work_area\DES_FE\Heater Controller\DECam Heater Driver Board.10.13.2009.FE\DECam Heater Driver Board\DECam Heater Driver Board.pri		
DECam Heater Control Crate Heater Driver Board		REV 2
SIZE D	DRAWING NUMBER @Designer_9	Schematic Page 01 of 02

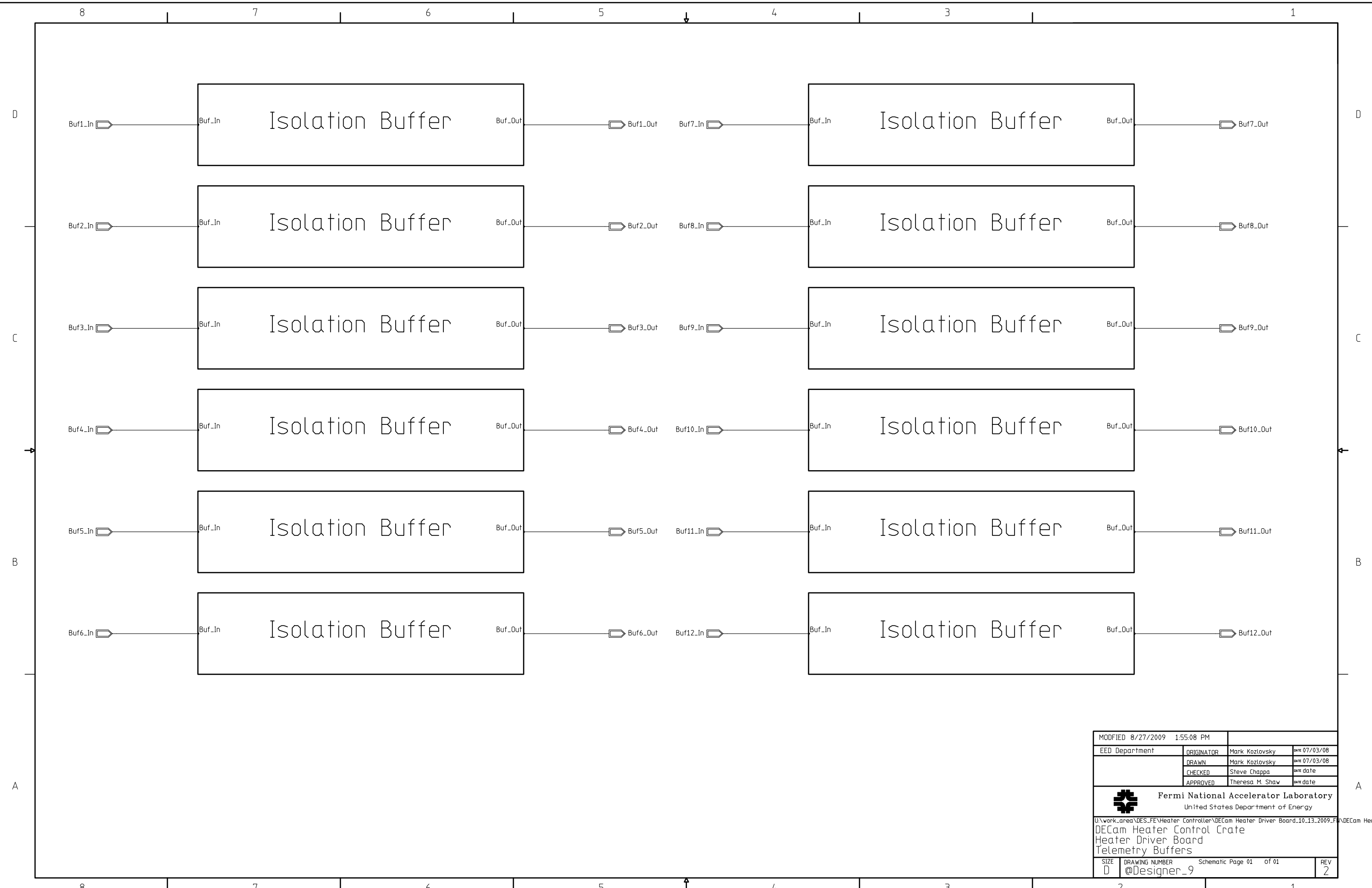



MODIFIED 10/13/2009 7:59:01 PM		
EED Department	ORIGINATOR Mark Kozlovsky	DATE 07/03/08
	DRAWN Mark Kozlovsky	DATE 07/03/08
	CHECKED Steve Chappa	DATE date
	APPROVED Theresa M. Shaw	DATE date
 Fermi National Accelerator Laboratory United States Department of Energy		
U:\work_area\DES_FE\Heater Controller\DECam Heater Driver Board.10.13.2009.F\DECam Heater Driver Board\DECam Heater Driver Board.prj		
DECam Heater Control Crate Heater Driver Board		
SIZE D	DRAWING NUMBER @Designer_9	Schematic Page 02 of 02
		REV 2

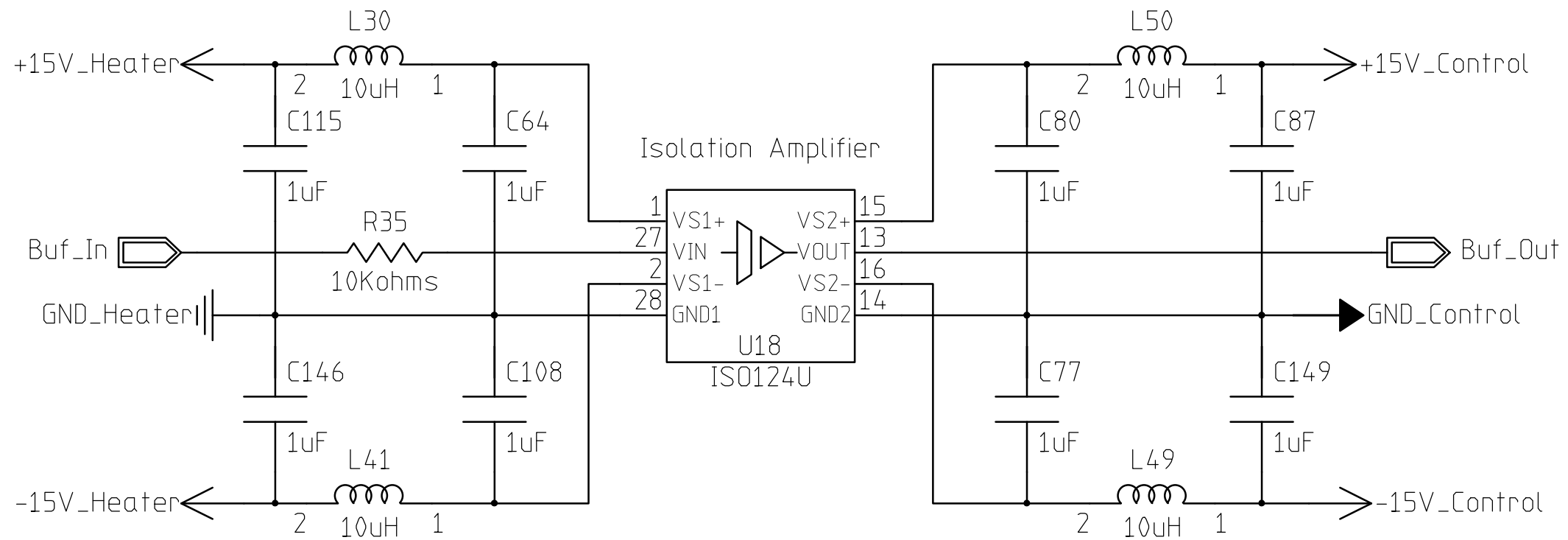
Important! All connectors' metal shells MUST be isolated from the front panel's metal




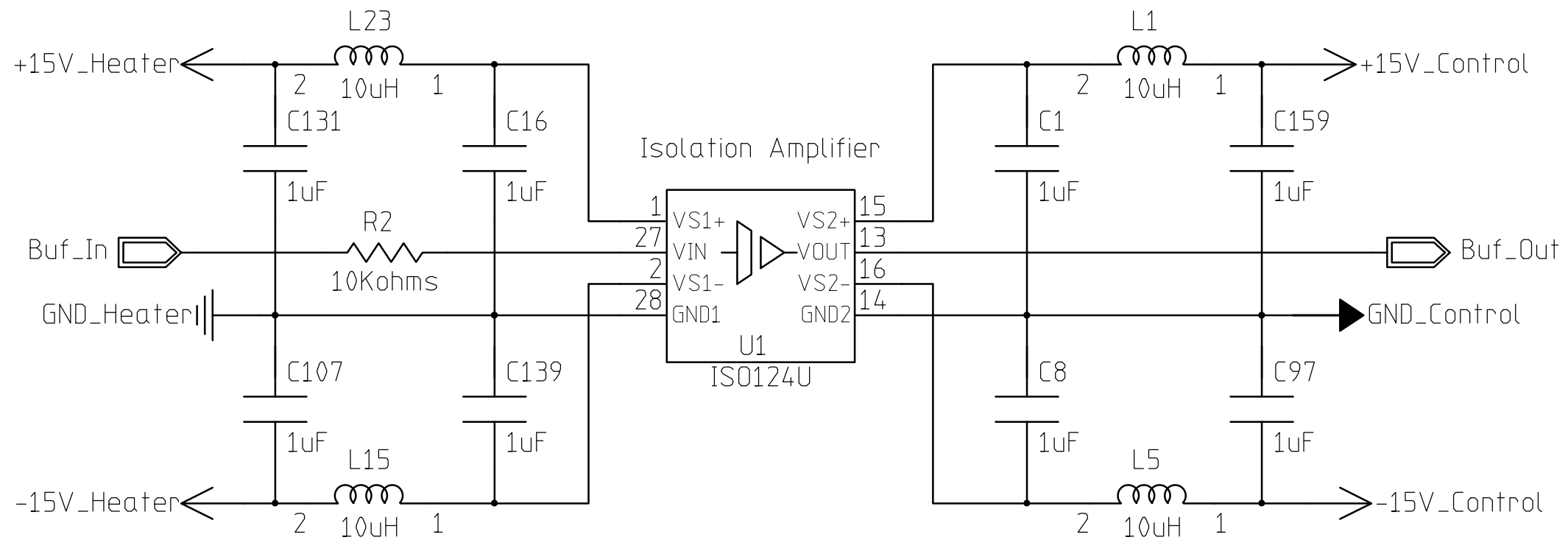
MODIFIED 8/28/2009 3:13:08 PM		
EED Department	ORIGINATOR	Mark Kozlovsky
	DRAWN	Mark Kozlovsky
	CHECKED	Steve Chappa
	APPROVED	Theresa M. Shaw
Fermi National Accelerator Laboratory United States Department of Energy		
U:\work_area\DES_FEV\Heater Controller\DECam Heater Driver Board.10.13.2009_F\DECam Heater Driver Board\DECam Heater Driver Board.pj DECcam Heater Control Crate Heater Driver Board Front Panel		
SIZE	DRAWING NUMBER	REV
D	@Designer_9	2



MODIFIED 8/27/2009 1:55:08 PM			
EED Department		ORIGINATOR	Mark Kozlovsky
		DRAWN	Mark Kozlovsky
		CHECKED	Steve Chappa
		APPROVED	Theresa M. Shaw
 Fermi National Accelerator Laboratory United States Department of Energy			
U:\work_area\DES_FEV\Heater Controller\DECam Heater Driver Board.10.13.2009.F\DECam Heater Driver Board\DECam Heater Driver Boardprj Heater Driver Board Telemetry Buffers			
SIZE	D	DRAWING NUMBER	@Designer_9
Schematic Page 01 of 01			REV 2



MODIFIED 10/17/2008 5:25:36 PM			
EED Department	ORIGINATOR	Mark Kozlovsky	DATE 07/03/08
	DRAWN	Mark Kozlovsky	DATE 07/03/08
	CHECKED	Steve Chappa	DATE date
	APPROVED	Theresa M. Shaw	DATE date
 Fermi National Accelerator Laboratory United States Department of Energy			
U:\work_area\DES_FE\Heater Controller\DECam Heater Driver Board_10_13_2009_FN\DECam Heater Driver Board\DECam Heater Driver Board.prj DECam Heater Control Crate Heater Driver Board Isolation Buffer			
SIZE	DRAWING NUMBER	Schematic Page 01 of 01	REV
A	@Designer_9		2



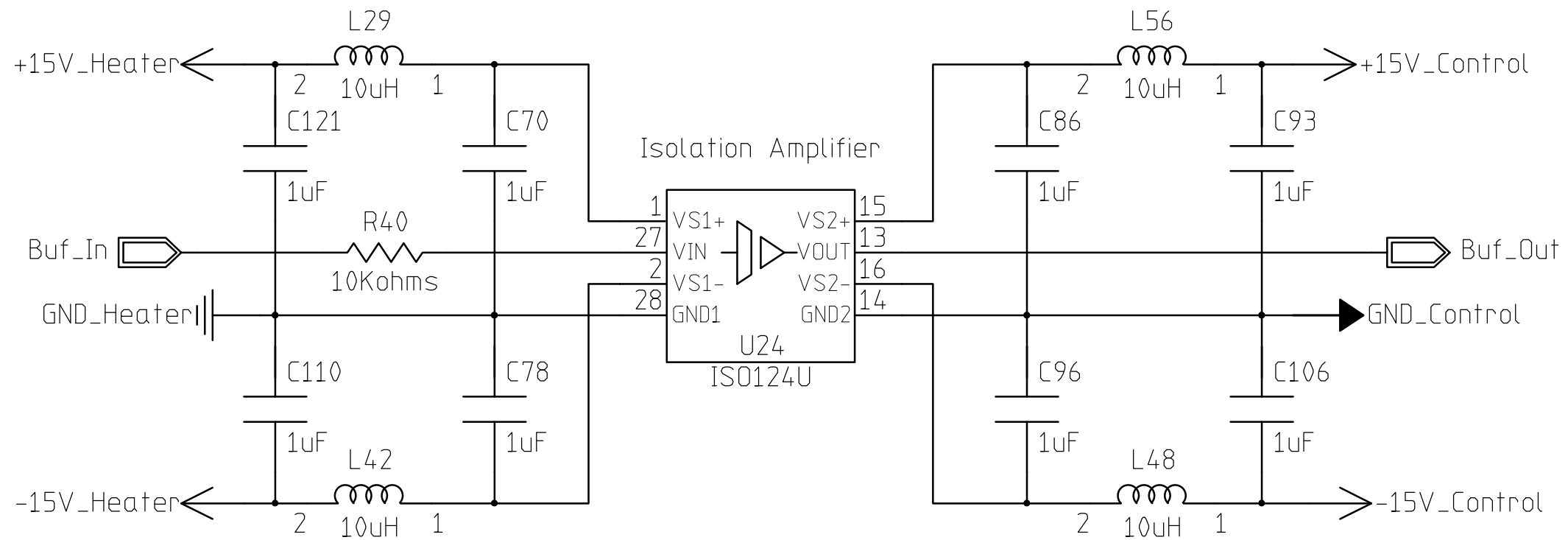
MODIFIED 10/17/2008 5:25:36 PM			
EED Department	ORIGINATOR	Mark Kozlovsky	DATE 07/03/08
	DRAWN	Mark Kozlovsky	DATE 07/03/08
	CHECKED	Steve Chappa	DATE date
	APPROVED	Theresa M. Shaw	DATE date



Fermi National Accelerator Laboratory
United States Department of Energy

U:\work_area\DES_FE\Heater Controller\DECam Heater Driver Board_10_13_2009_FN\DECam Heater Driver Board\DECam Heater Driver Board.prj
DECam Heater Control Crate
Heater Driver Board
Isolation Buffer

SIZE	DRAWING NUMBER	Schematic Page 01 of 01	REV
A	@Designer_9		2



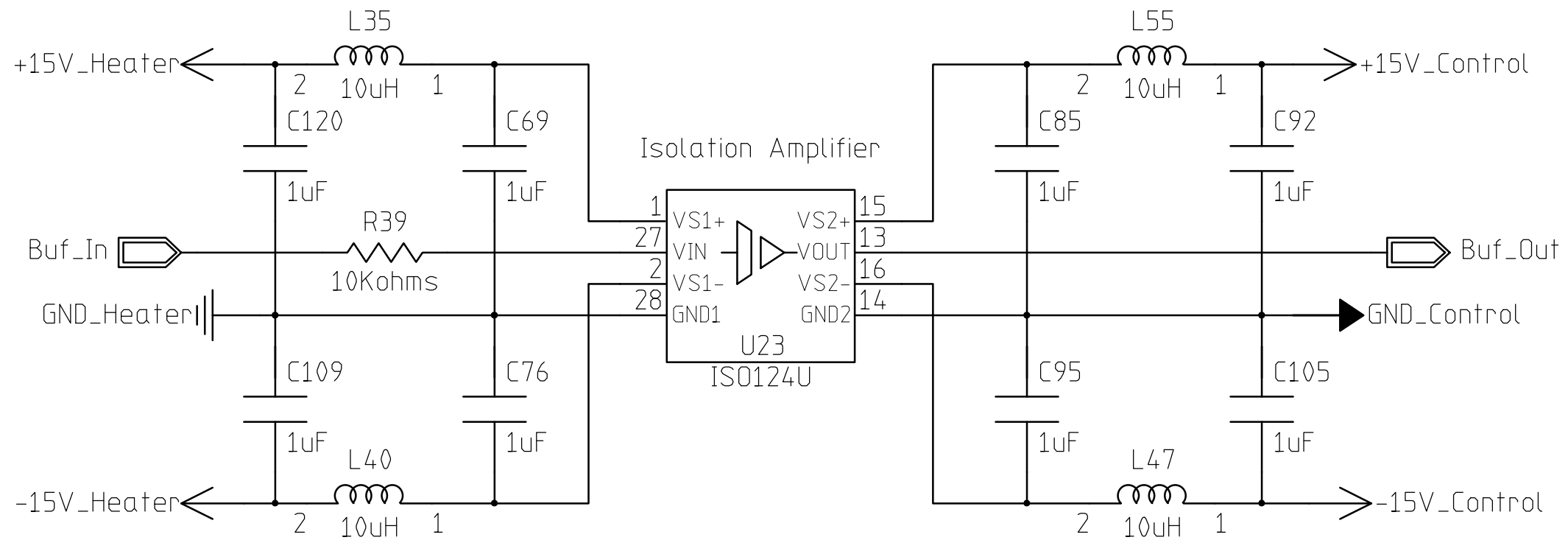
MODIFIED 10/17/2008 5:25:36 PM			
EED Department	ORIGINATOR	Mark Kozlovsky	DATE 07/03/08
	DRAWN	Mark Kozlovsky	DATE 07/03/08
	CHECKED	Steve Chappa	DATE date
	APPROVED	Theresa M. Shaw	DATE date



Fermi National Accelerator Laboratory
United States Department of Energy

U:\work_area\DES_FE\Heater Controller\DECam Heater Driver Board_10_13_2009_FN\DECam Heater Driver Board\DECam Heater Driver Board.prj
DECam Heater Control Crate
Heater Driver Board
Isolation Buffer

SIZE	DRAWING NUMBER	Schematic Page 01 of 01	REV
A	@Designer_9		2



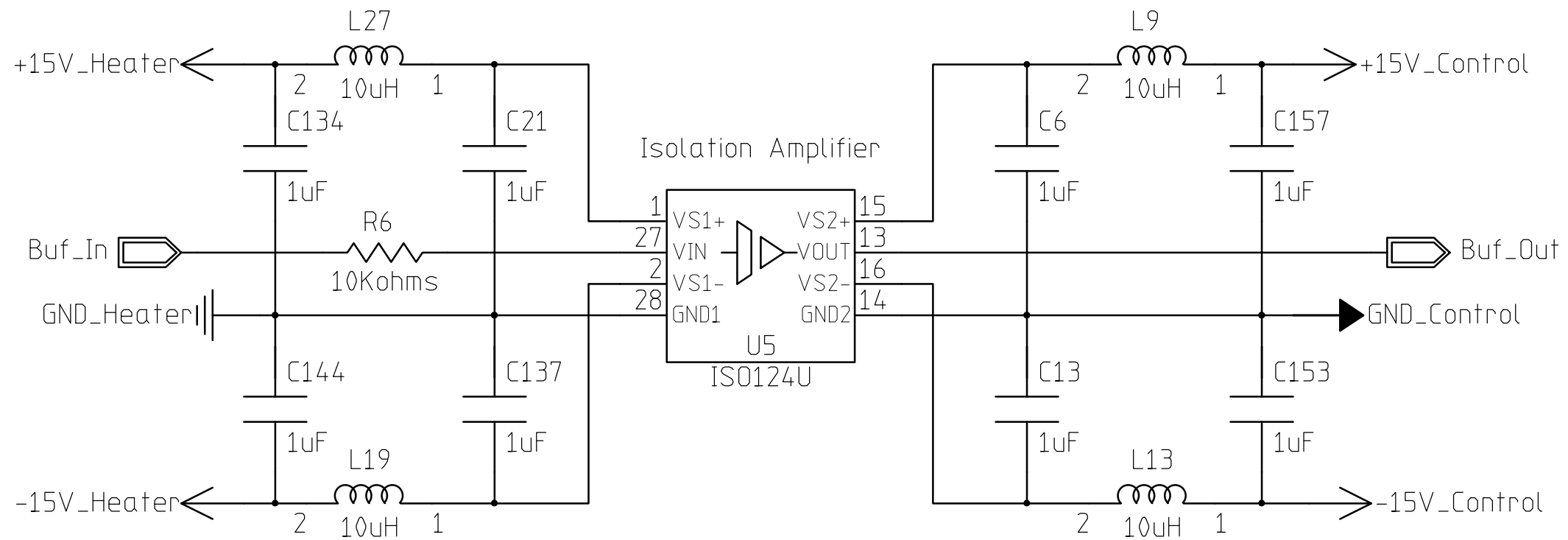
MODIFIED 10/17/2008 5:25:36 PM			
EED Department	ORIGINATOR	Mark Kozlovsky	DATE 07/03/08
	DRAWN	Mark Kozlovsky	DATE 07/03/08
	CHECKED	Steve Chappa	DATE date
	APPROVED	Theresa M. Shaw	DATE date



Fermi National Accelerator Laboratory
United States Department of Energy

U:\work_area\DES_FE\Heater Controller\DECam Heater Driver Board_10_13_2009_FN\DECam Heater Driver Board\DECam Heater Driver Board.prj
DECam Heater Control Crate
Heater Driver Board
Isolation Buffer

SIZE	DRAWING NUMBER	Schematic Page 01 of 01	REV
A	@Designer_9		2



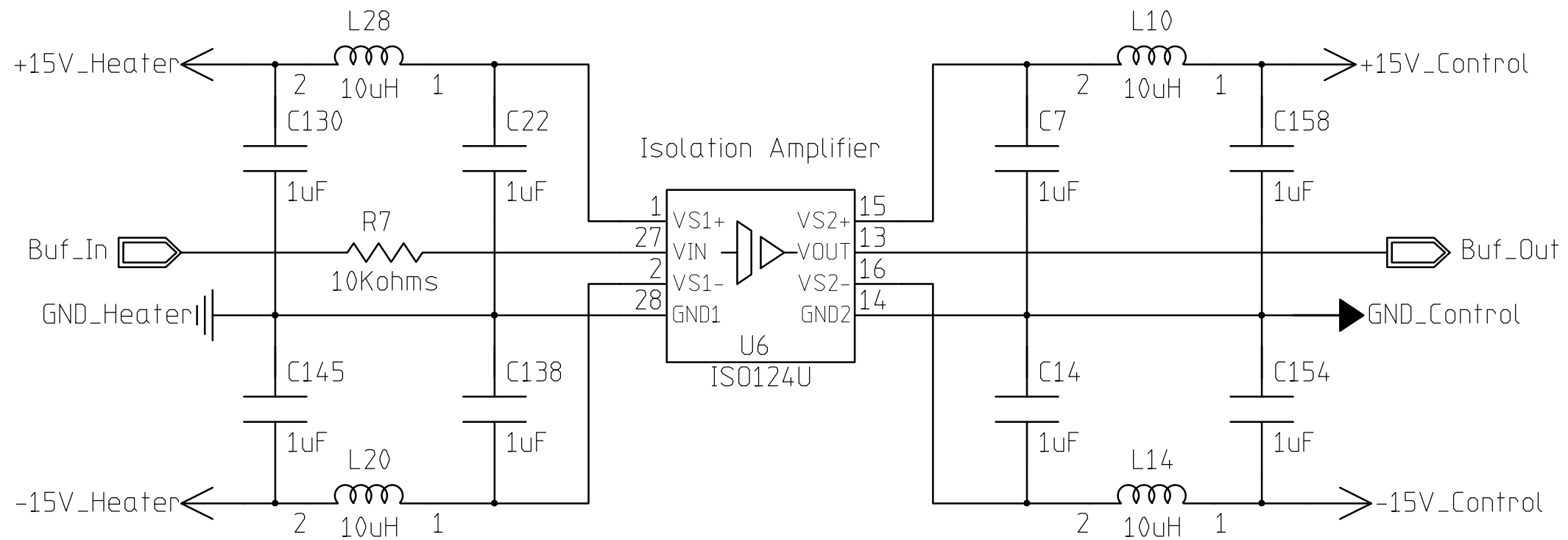
MODIFIED 10/17/2008 5:25:36 PM			
EED Department	ORIGINATOR	Mark Kozlovsky	DATE 07/03/08
	DRAWN	Mark Kozlovsky	DATE 07/03/08
	CHECKED	Steve Chappa	DATE date
	APPROVED	Theresa M. Shaw	DATE date



Fermi National Accelerator Laboratory
United States Department of Energy

U:\work_area\DES_FE\Heater Controller\DECam Heater Driver Board_10_13_2009_FN\DECam Heater Driver Board\DECam Heater Driver Board.prj
DECam Heater Control Crate
Heater Driver Board
Isolation Buffer

SIZE	DRAWING NUMBER	Schematic Page 01 of 01	REV
A	@Designer_9		2



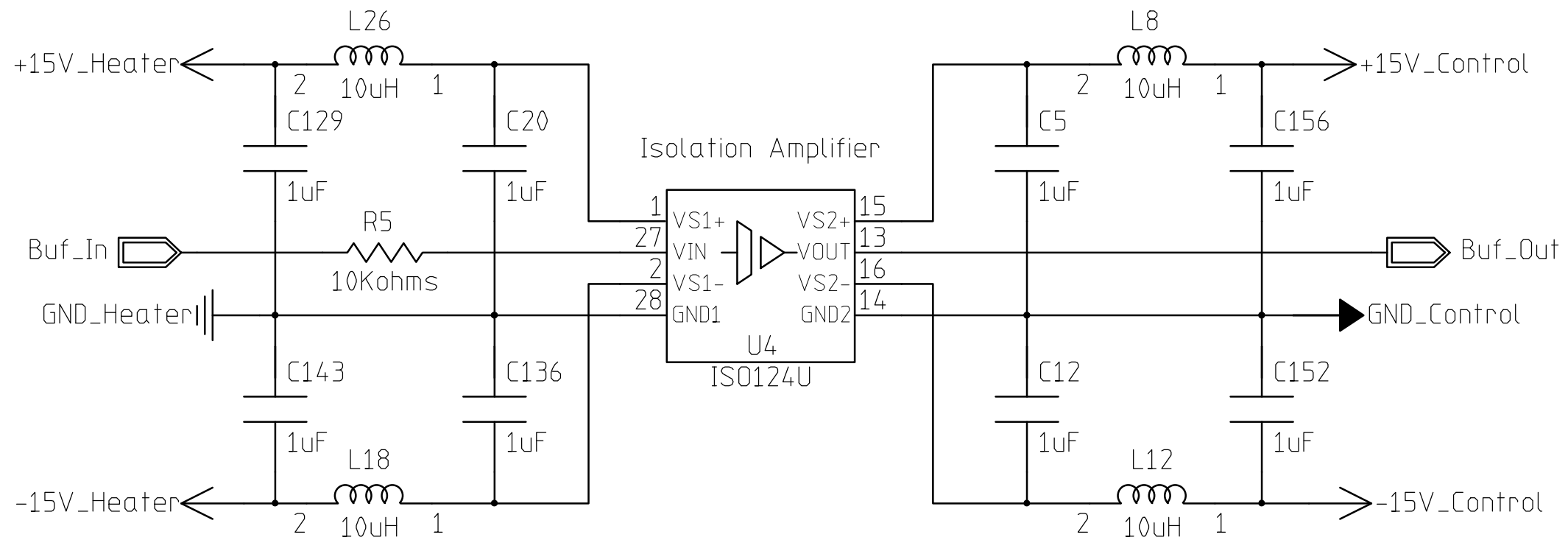
MODIFIED 10/17/2008 5:25:36 PM			
EED Department	ORIGINATOR	Mark Kozlovsky	DATE 07/03/08
	DRAWN	Mark Kozlovsky	DATE 07/03/08
	CHECKED	Steve Chappa	DATE date
	APPROVED	Theresa M. Shaw	DATE date



Fermi National Accelerator Laboratory
United States Department of Energy

U:\work_area\DES_FE\Heater Controller\DECam Heater Driver Board_10_13_2009_FN\DECam Heater Driver Board\DECam Heater Driver Board.prj
DECam Heater Control Crate
Heater Driver Board
Isolation Buffer

SIZE	DRAWING NUMBER	Schematic Page 01 of 01	REV
A	@Designer_9		2



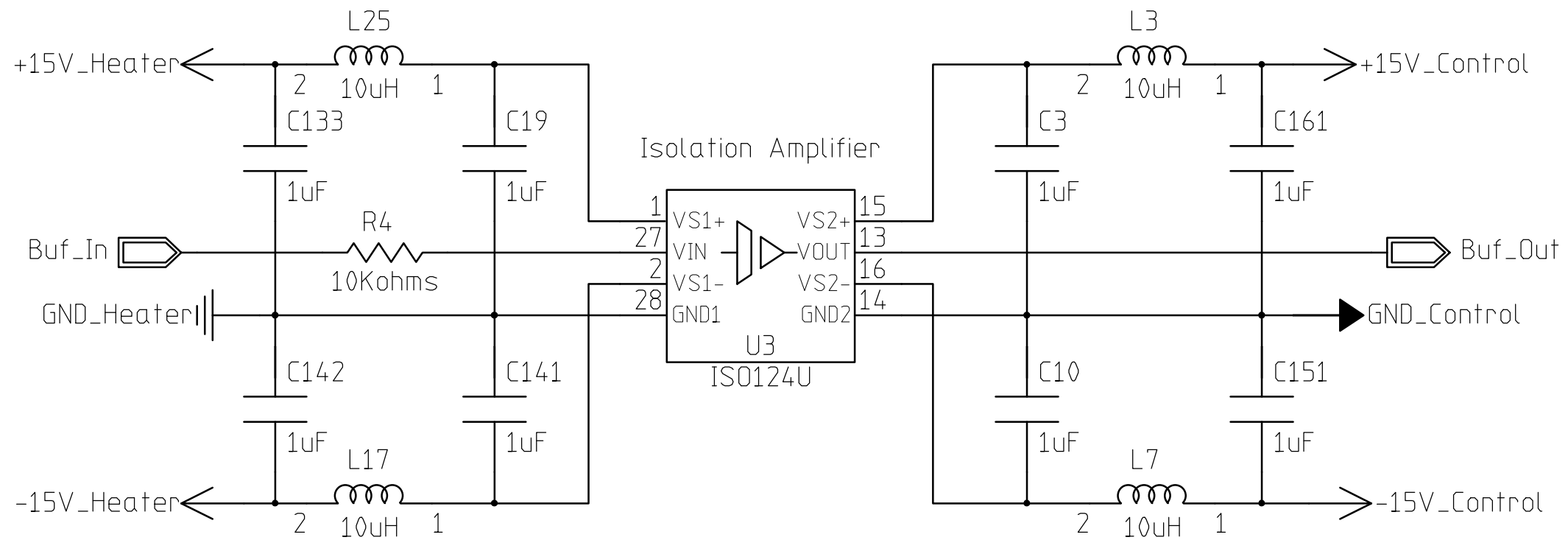
MODIFIED 10/17/2008 5:25:36 PM			
EED Department	ORIGINATOR	Mark Kozlovsky	DATE 07/03/08
	DRAWN	Mark Kozlovsky	DATE 07/03/08
	CHECKED	Steve Chappa	DATE date
	APPROVED	Theresa M. Shaw	DATE date




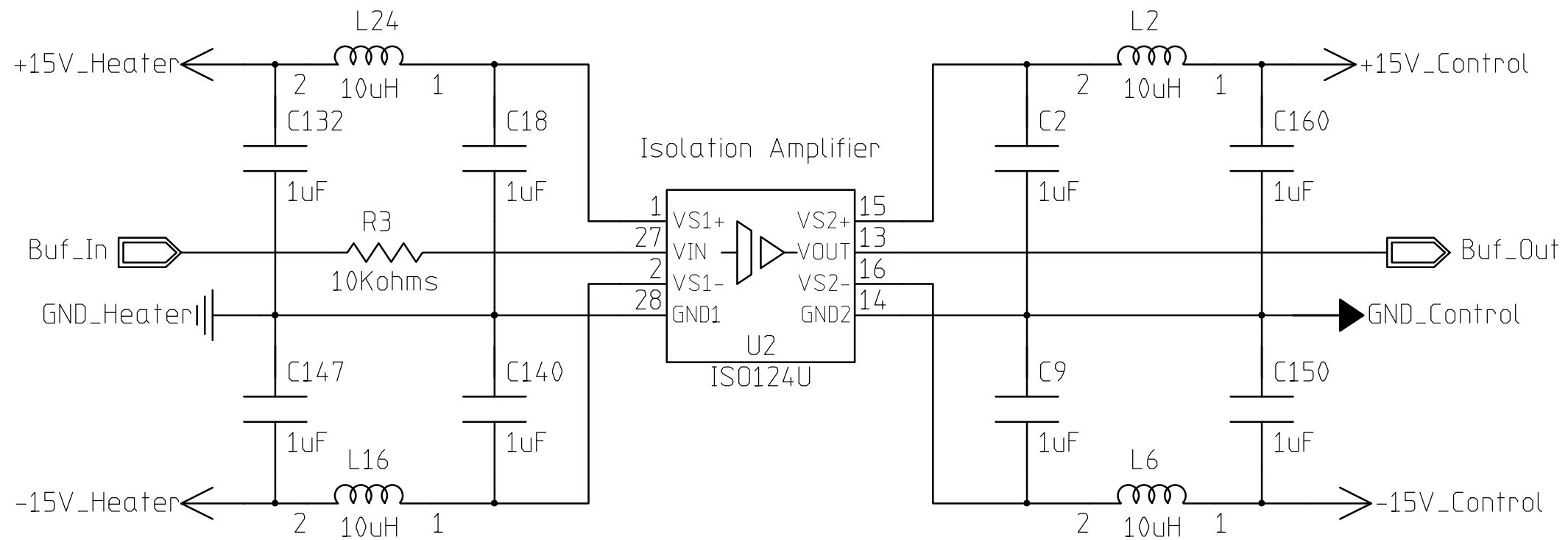
Fermi National Accelerator Laboratory
United States Department of Energy

U:\work_area\DES_FE\Heater Controller\DECam Heater Driver Board_10_13_2009_FN\DECam Heater Driver Board\DECam Heater Driver Board.prj
DECam Heater Control Crate
Heater Driver Board
Isolation Buffer

SIZE	DRAWING NUMBER	Schematic Page 01 of 01	REV
A	@Designer_9		2



MODIFIED 10/17/2008 5:25:36 PM			
EED Department	ORIGINATOR	Mark Kozlovsky	DATE 07/03/08
	DRAWN	Mark Kozlovsky	DATE 07/03/08
	CHECKED	Steve Chappa	DATE date
	APPROVED	Theresa M. Shaw	DATE date
 Fermi National Accelerator Laboratory United States Department of Energy			
U:\work_area\DES_FE\Heater Controller\DECam Heater Driver Board_10_13_2009_FN\DECam Heater Driver Board\DECam Heater Driver Board.prj			
DECam Heater Control Crate Heater Driver Board Isolation Buffer			
SIZE A	DRAWING NUMBER @Designer_9	Schematic Page 01 of 01	REV 2



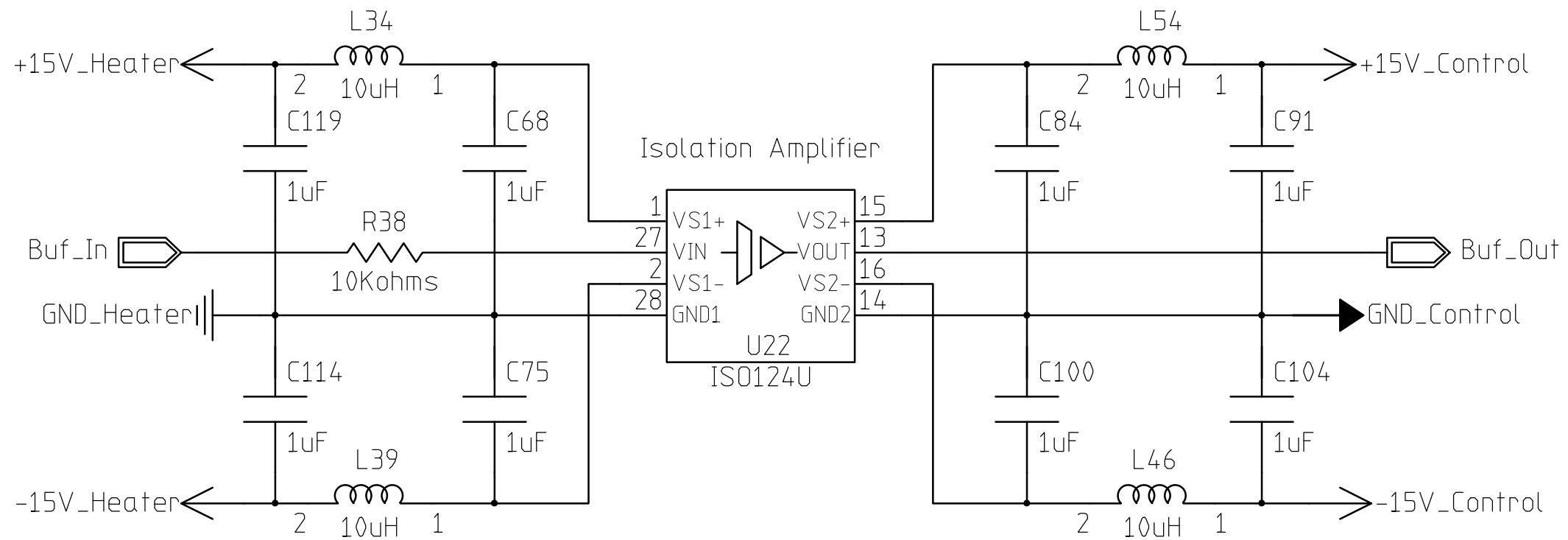
MODIFIED 10/17/2008 5:25:36 PM			
EED Department	ORIGINATOR	Mark Kozlovsky	DATE 07/03/08
	DRAWN	Mark Kozlovsky	DATE 07/03/08
	CHECKED	Steve Chappa	DATE date
	APPROVED	Theresa M. Shaw	DATE date



Fermi National Accelerator Laboratory
United States Department of Energy

U:\work_area\DES_FE\Heater Controller\DECam Heater Driver Board_10_13_2009_FN\DECam Heater Driver Board\DECam Heater Driver Board.prj
DECam Heater Control Crate
Heater Driver Board
Isolation Buffer

SIZE	DRAWING NUMBER	Schematic Page 01 of 01	REV
A	@Designer_9		2



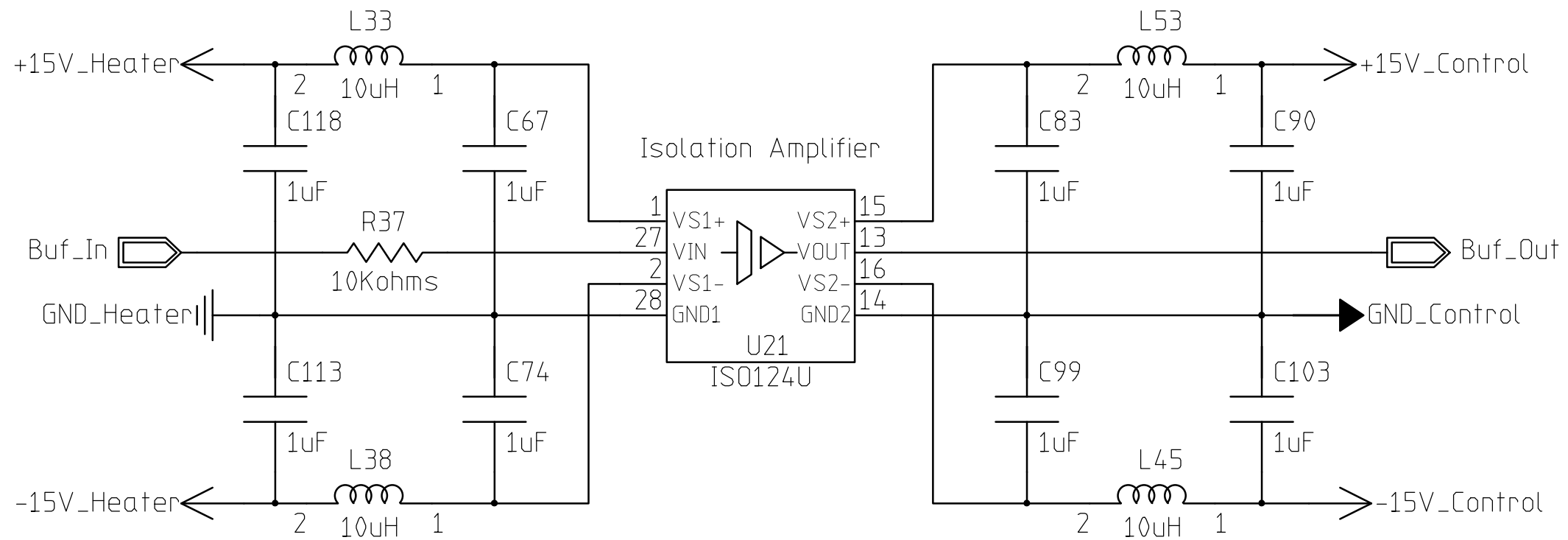
MODIFIED 10/17/2008 5:25:36 PM			
EED Department	ORIGINATOR	Mark Kozlovsky	DATE 07/03/08
	DRAWN	Mark Kozlovsky	DATE 07/03/08
	CHECKED	Steve Chappa	DATE date
	APPROVED	Theresa M. Shaw	DATE date



Fermi National Accelerator Laboratory
United States Department of Energy

U:\work_area\DES_FE\Heater Controller\DECam Heater Driver Board_10_13_2009_FN\DECam Heater Driver Board\DECam Heater Driver Board.prj
DECam Heater Control Crate
Heater Driver Board
Isolation Buffer

SIZE	DRAWING NUMBER	Schematic Page 01 of 01	REV
A	@Designer_9		2



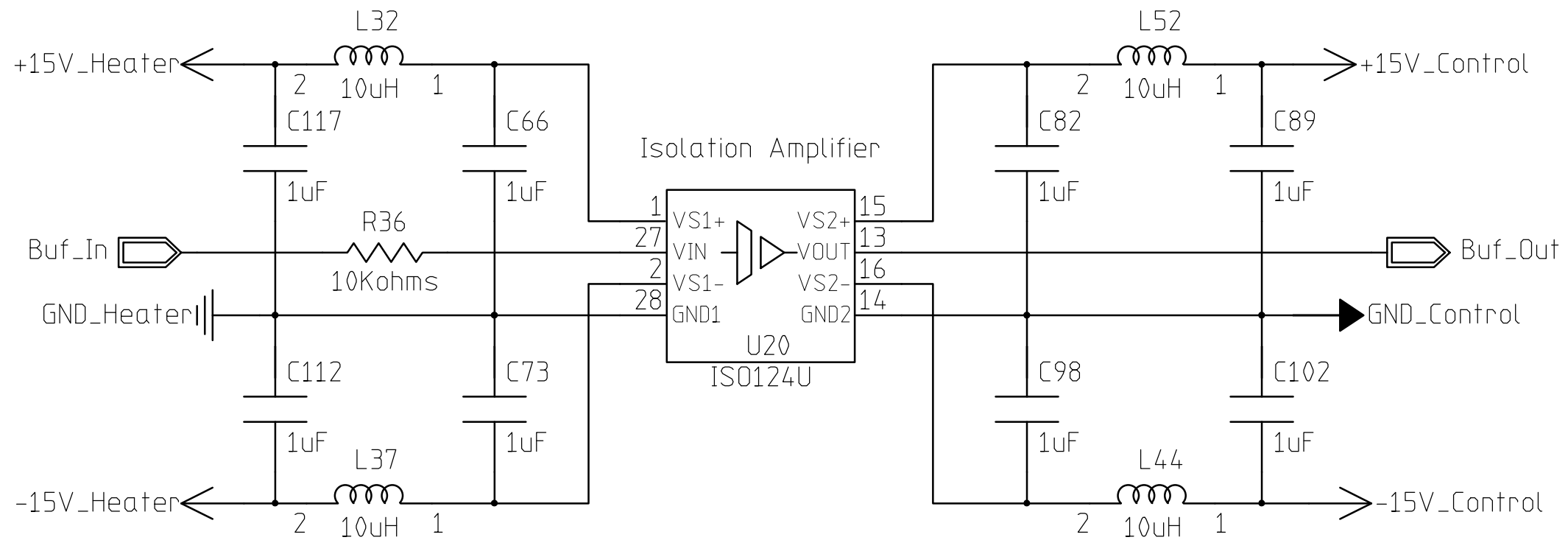
MODIFIED 10/17/2008 5:25:36 PM			
EED Department	ORIGINATOR	Mark Kozlovsky	DATE 07/03/08
	DRAWN	Mark Kozlovsky	DATE 07/03/08
	CHECKED	Steve Chappa	DATE date
	APPROVED	Theresa M. Shaw	DATE date



Fermi National Accelerator Laboratory
United States Department of Energy

U:\work_area\DES_FE\Heater Controller\DECam Heater Driver Board_10_13_2009_FN\DECam Heater Driver Board\DECam Heater Driver Board.prj
DECam Heater Control Crate
Heater Driver Board
Isolation Buffer

SIZE	DRAWING NUMBER	Schematic Page 01 of 01	REV
A	@Designer_9		2



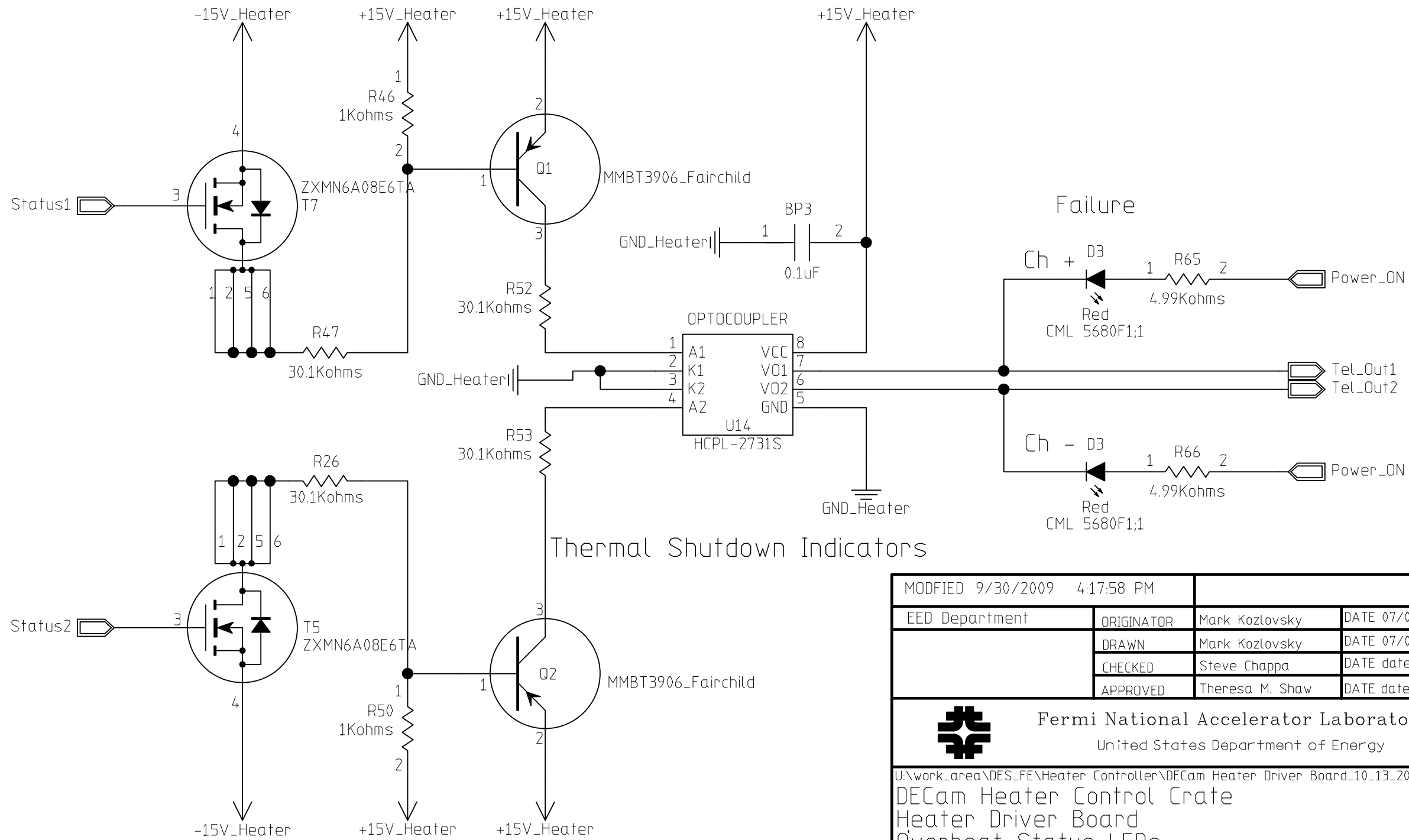
MODIFIED 10/17/2008 5:25:36 PM			
EED Department	ORIGINATOR	Mark Kozlovsky	DATE 07/03/08
	DRAWN	Mark Kozlovsky	DATE 07/03/08
	CHECKED	Steve Chappa	DATE date
	APPROVED	Theresa M. Shaw	DATE date



Fermi National Accelerator Laboratory
United States Department of Energy

U:\work_area\DES_FE\Heater Controller\DECam Heater Driver Board_10_13_2009_FN\DECam Heater Driver Board\DECam Heater Driver Board.prj
DECam Heater Control Crate
Heater Driver Board
Isolation Buffer

SIZE	DRAWING NUMBER	Schematic Page 01 of 01	REV
A	@Designer_9		2

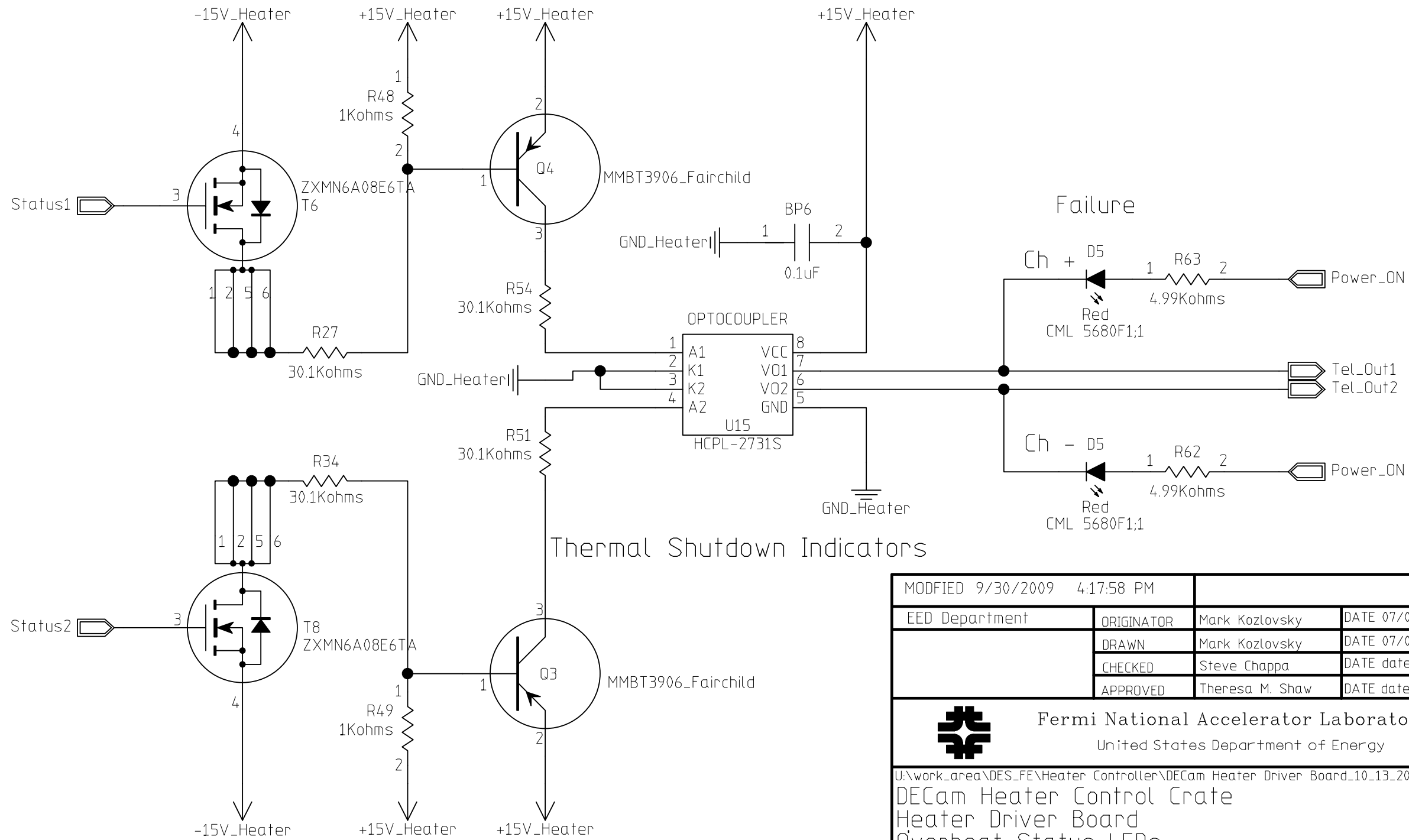


MODIFIED 9/30/2009 4:17:58 PM			
EED Department	ORIGINATOR	Mark Kozlovsky	DATE 07/03/08
	DRAWN	Mark Kozlovsky	DATE 07/03/08
	CHECKED	Steve Chappa	DATE date
	APPROVED	Theresa M. Shaw	DATE date



U:\work_area\DES_FE\Heater Controller\DECam Heater Driver Board_10_13_2009_F\DECam Heater Driver Board\DECam Heater Driver Board.prj
 DECcam Heater Control Crate
 Heater Driver Board
 Overheat Status LEDs

SIZE	DRAWING NUMBER	Schematic Page 01 of 01	REV
B	@Designer_9		2



Thermal Shutdown Indicators

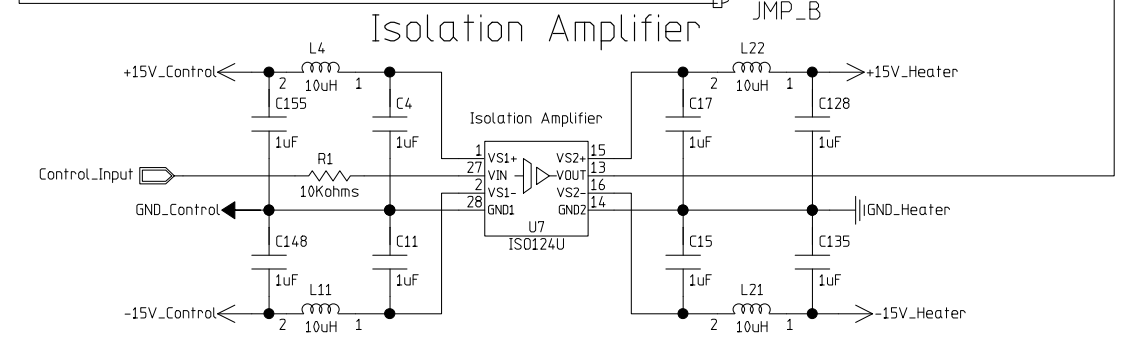
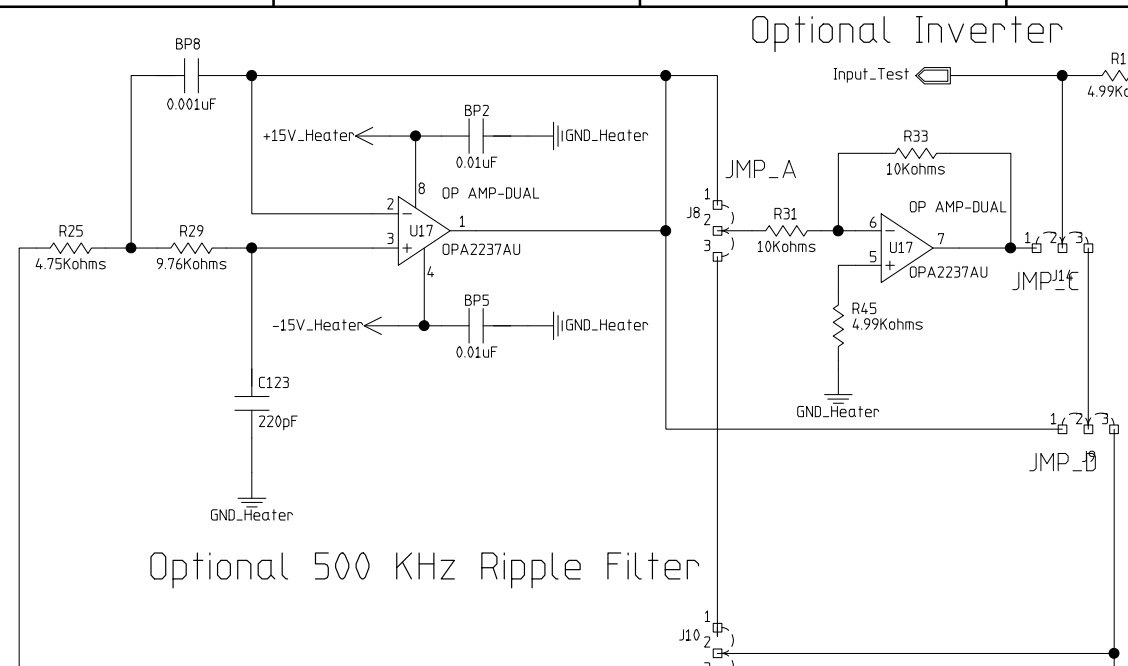
MODIFIED 9/30/2009 4:17:58 PM			
EED Department	ORIGINATOR	Mark Kozlovsky	DATE 07/03/08
	DRAWN	Mark Kozlovsky	DATE 07/03/08
	CHECKED	Steve Chappa	DATE date
	APPROVED	Theresa M. Shaw	DATE date



U:\work_area\DES_FE\Heater Controller\DECam Heater Driver Board_10_13_2009_F\DECam Heater Driver Board\DECam Heater Driver Board.prj

DECam Heater Control Crate
Heater Driver Board
Overheat Status LEDs

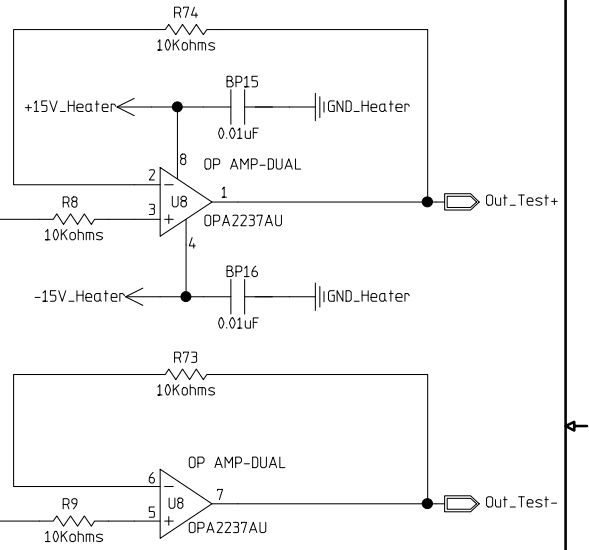
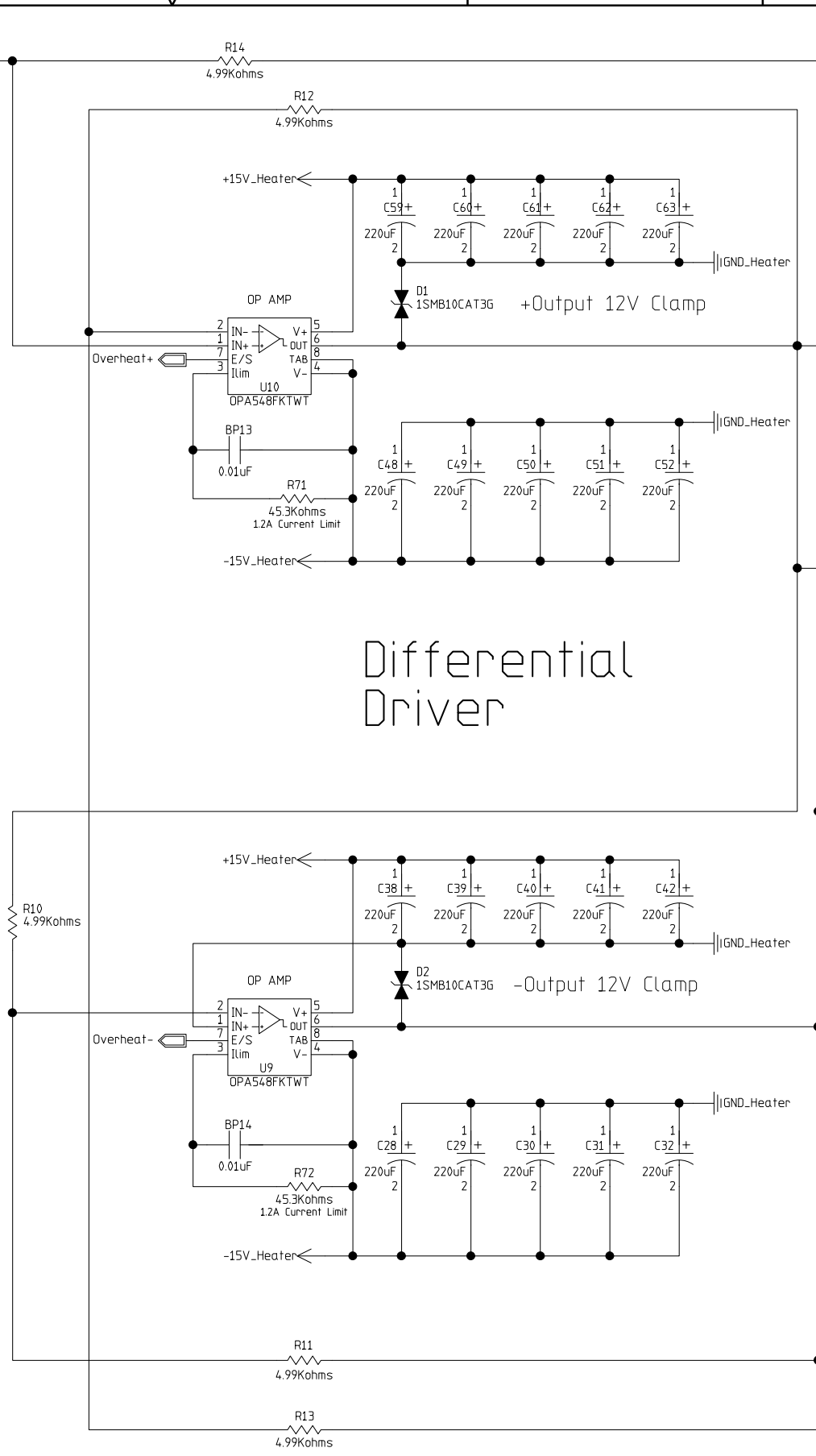
SIZE	DRAWING NUMBER	Schematic Page 01 of 01	REV
B	@Designer_9		2



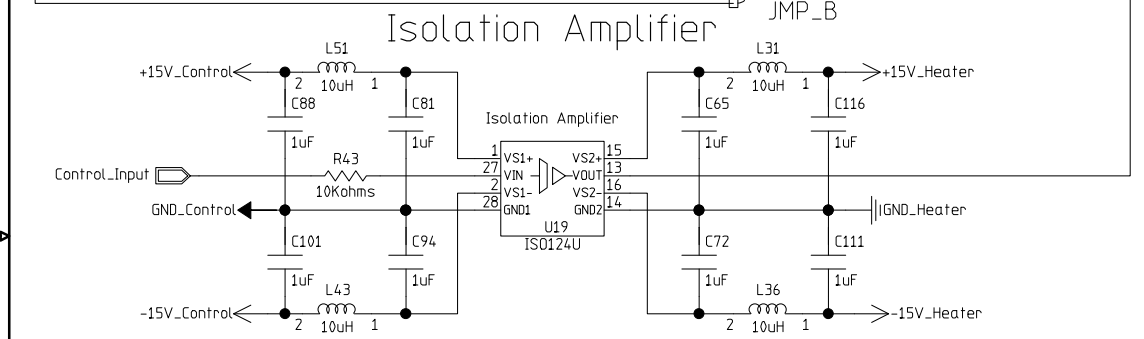
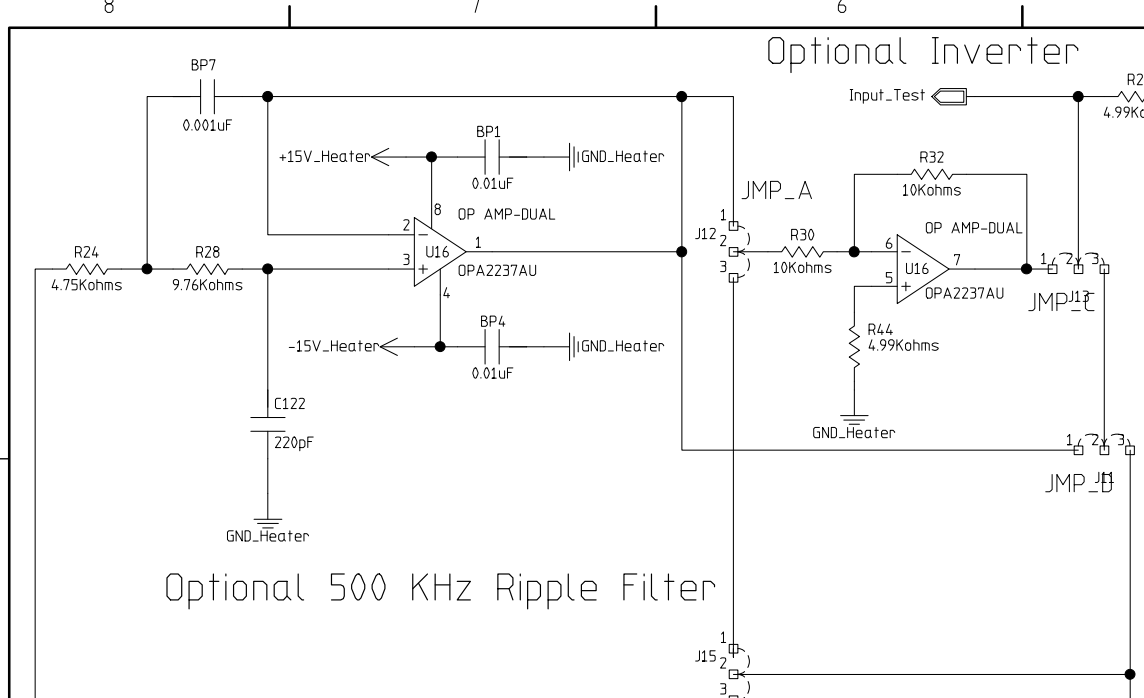
Configuration Mode:

	JMP_A	JMP_B	JMP_C	JMP_D	
Direct Input	<input type="radio"/>	<input type="radio"/>	<input checked="" type="radio"/>	<input checked="" type="radio"/>	Pin1 Pin2 Pin3
Inversed Input	<input checked="" type="radio"/>	<input checked="" type="radio"/>	<input checked="" type="radio"/>	<input type="radio"/>	Pin1 Pin2 Pin3
Filtered Input	<input type="radio"/>	<input checked="" type="radio"/>	<input checked="" type="radio"/>	<input checked="" type="radio"/>	Pin1 Pin2 Pin3
Inversed Filtered Input	<input checked="" type="radio"/>	<input checked="" type="radio"/>	<input checked="" type="radio"/>	<input type="radio"/>	Pin1 Pin2 Pin3

Comments:
Each of the OPA548FKTWT amplifiers must be attached to a heatsink made as a 2" x 2" square copper area.



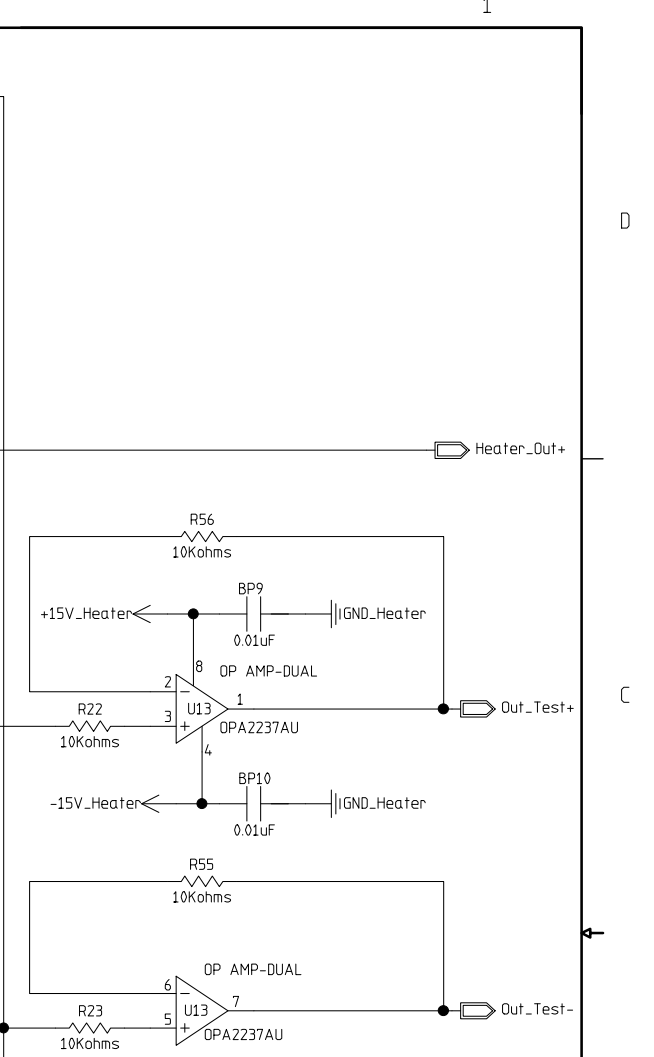
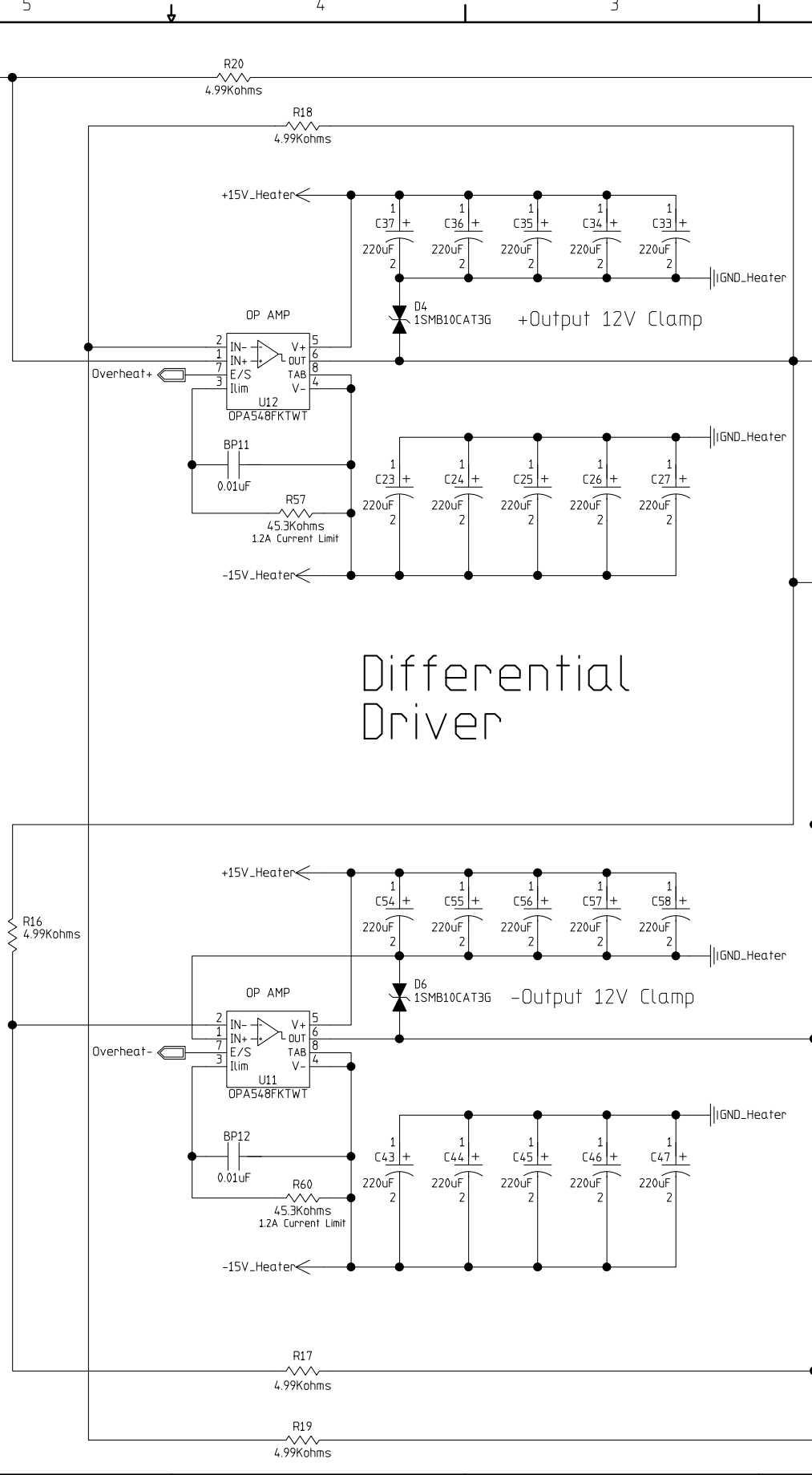
MODIFIED 10/17/2008 5:33:34 PM			
EED Department	ORIGINATOR	Mark Kozlovsky	DATE 07/03/08
	DRAWN	Mark Kozlovsky	DATE 07/03/08
	CHECKED	Steve Chappa	DATE date
	APPROVED	Theresa M. Shaw	DATE date
Fermi National Accelerator Laboratory United States Department of Energy			
U:\work_area\DES_FEV\Heater Controller\DECam Heater Driver Board.10.13.2009_FNV\DECam Heater Driver Board\DECam Heater Driver Board.pj			
DECam Heater Control Crate Heater Driver Board Heater Driver Schematic			
SIZE	DRAWING NUMBER	Schematic Page 01 of 01	REV
D	@Designer_9		2



Configuration Mode:

	JMP_A	JMP_B	JMP_C	JMP_D	
Direct Input	<input type="radio"/>	<input type="radio"/>	<input checked="" type="radio"/>	<input checked="" type="radio"/>	Pin1 Pin2 Pin3
Inversed Input	<input checked="" type="radio"/>	<input checked="" type="radio"/>	<input checked="" type="radio"/>	<input type="radio"/>	Pin1 Pin2 Pin3
Filtered Input	<input type="radio"/>	<input type="radio"/>	<input checked="" type="radio"/>	<input checked="" type="radio"/>	Pin1 Pin2 Pin3
Inversed Filtered Input	<input checked="" type="radio"/>	<input type="radio"/>	<input checked="" type="radio"/>	<input type="radio"/>	Pin1 Pin2 Pin3

Comments:
Each of the OPA548FKTWT amplifiers must be attached to a heatsink made as a 2" x 2" square copper area.



MODIFIED 10/17/2008 5:33:34 PM			
EED Department	ORIGINATOR	Mark Kozlovsky	DATE 07/03/08
	DRAWN	Mark Kozlovsky	DATE 07/03/08
	CHECKED	Steve Chappa	DATE date
	APPROVED	Theresa M. Shaw	DATE date
 Fermi National Accelerator Laboratory United States Department of Energy			
U:\work_area\DES_FEV\Heater Controller\DECam Heater Driver Board.10.13.2009.FEV\DECam Heater Driver Board\DECam Heater Driver Board.prl			
DECam Heater Control Crate			
Heater Driver Board			
Heater Driver Schematic			
SIZE	DRAWING NUMBER	Schematic Page 01 of 01	REV
D	@Designer_9		2